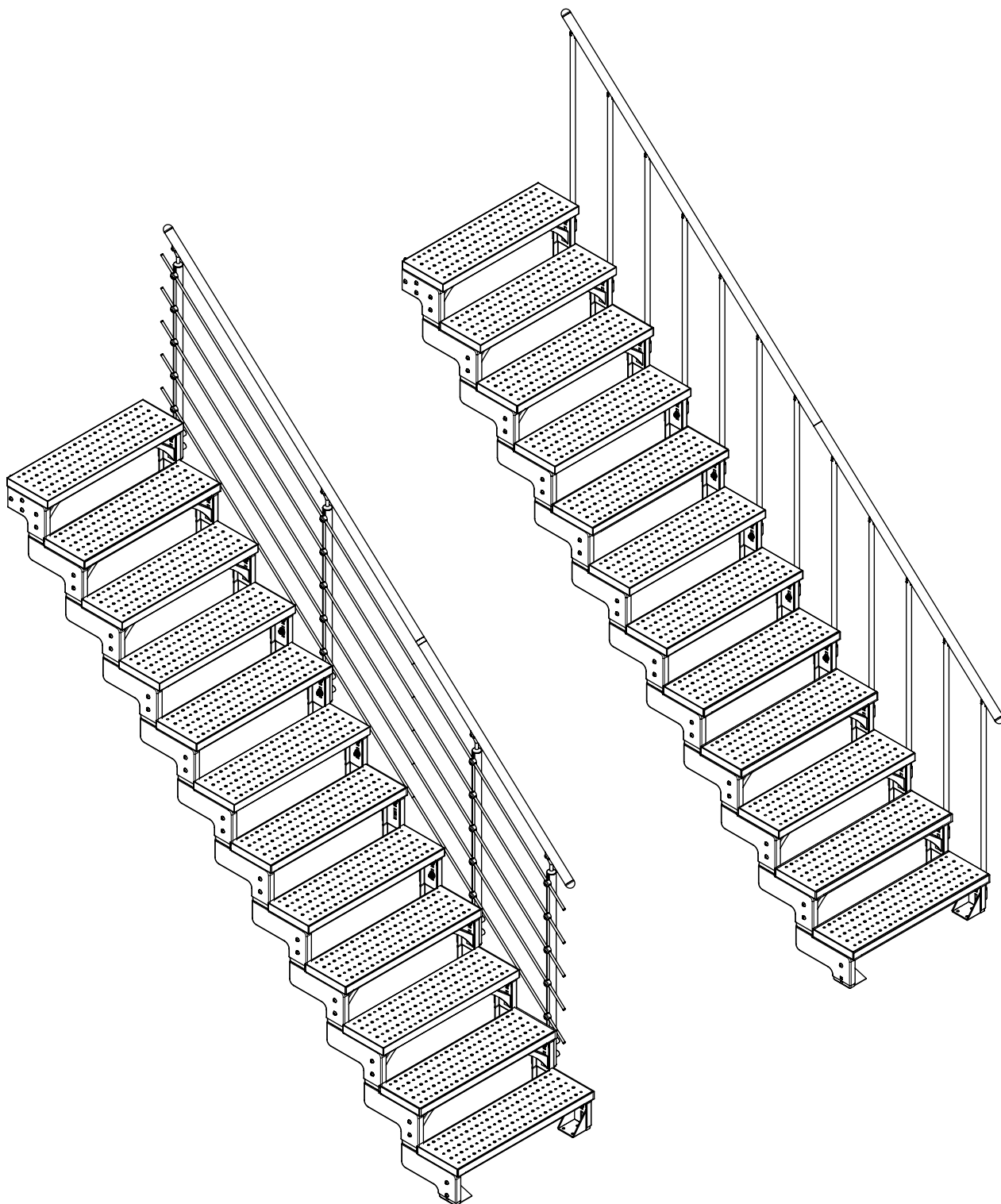


GARDENTOP

Metal

Montageanleitung
Installation instruction



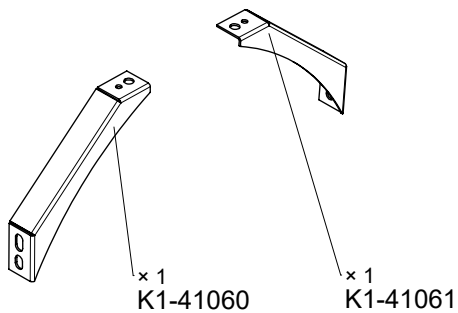
| 1068015 | | Starter-Set Start kit | | | |
|--|--|--|--|---|--|
| <p>1 2</p> <p>× 1 K1-41430</p> <p>× 1 K1-41930</p> | | <p>7 8</p> <p>× 1 K1-41911</p> <p>× 1 K1-41910</p> | | <p>5</p> <p>× 2 K2-41900</p> | |
| <p>6</p> <p>× 2 K1-41940</p> | | <p>40</p> <p>× 14 K3-02045 M10×25</p> | | <p>41</p> <p>× 2 K3-04110 Ø10</p> | |
| <p>42</p> <p>× 8 K3-04198 Ø10</p> | | <p>43</p> <p>× 14 K3-03051 M10</p> | | <p>44</p> <p>× 12 K3-08001 Ø12 x 60</p> | |
| <p>45</p> <p>× 12 K3-06070 Ø10 x 60</p> | | <p>59</p> <p>× 12 K3-06269 Ø6 x 35</p> | | <p>63</p> <p>× 4 K3-05022 M8 x 20</p> | |
| <p>64</p> <p>× 12 K3-04010 Ø10,5</p> | | | | | |

| 1068016 | | Ergänzungs-Set 1 step kit | | | |
|--|--|--|--|---|--|
| <p>3 4</p> <p>× 1 K1-41921</p> <p>× 1 K1-41920</p> | | <p>40</p> <p>× 4 K3-02045 M10 x 25</p> | | <p>42</p> <p>× 4 K3-04198 Ø10</p> | |
| | | <p>43</p> <p>× 4 K3-03051 M10</p> | | | |
| | | <p>59</p> <p>× 6 K3-06269 Ø6 x 35</p> | | | |

1068020

Stufen-Winkel
Step support 1 step

9 10



If more than 6 steps:
Add

9 + 10

Wenn mehr als 6 Stufen:

9 + 10

hinzufügen

Max. 6 Satz | sets

59

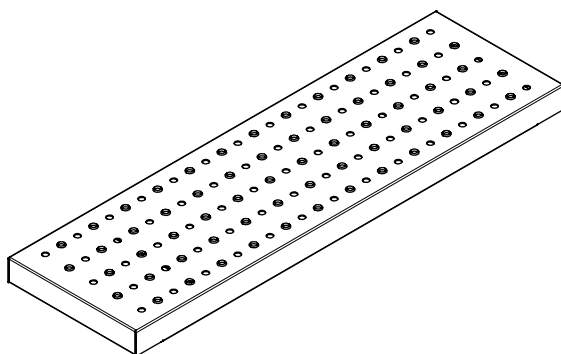


x 1
K3-06269
Ø6 x 35

1068052 / 1068053

Stufe
Step 80 / 100 cm

11

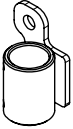
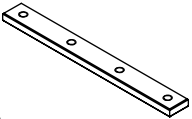
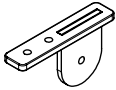

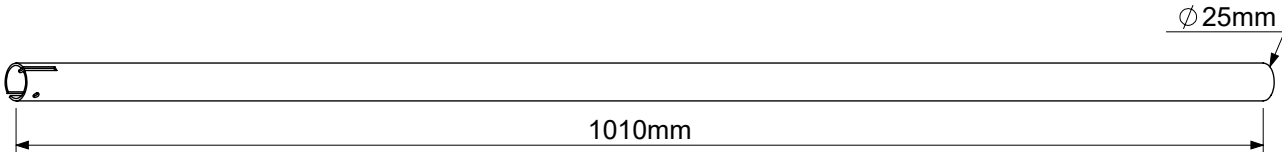
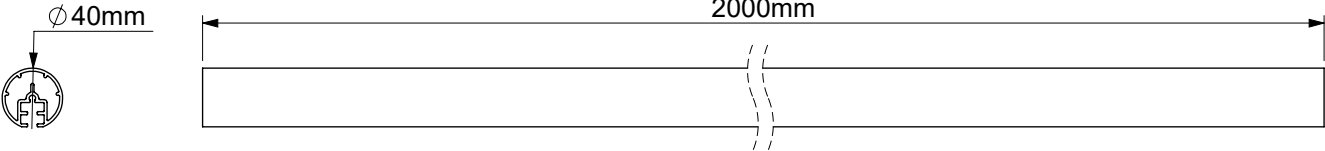







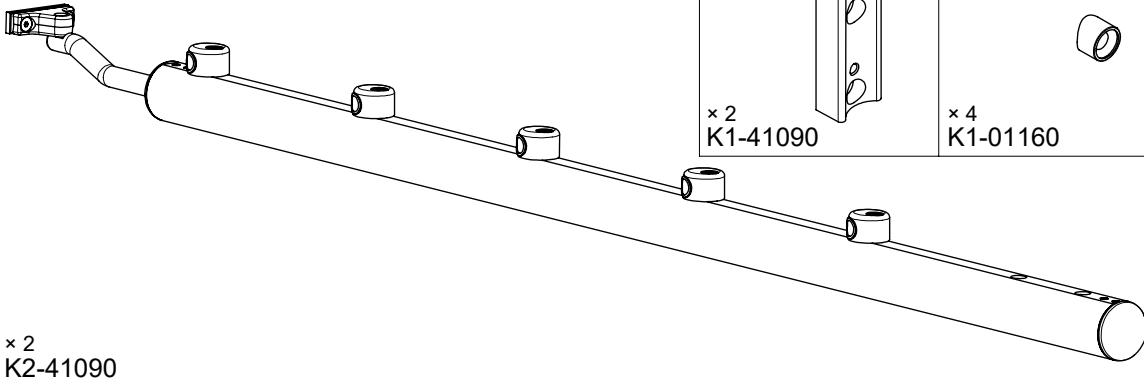


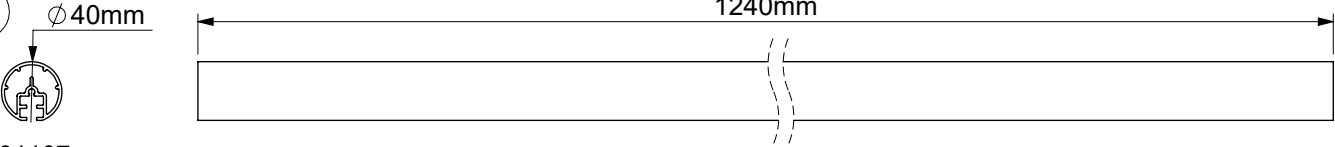
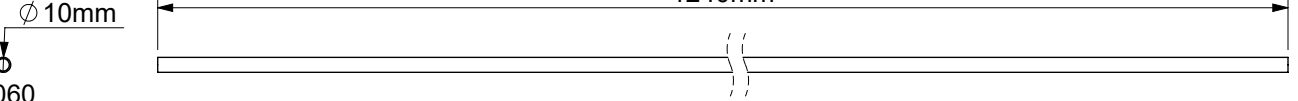



x 1
K1-41071 80 cm
K1-41081 100 cm

66



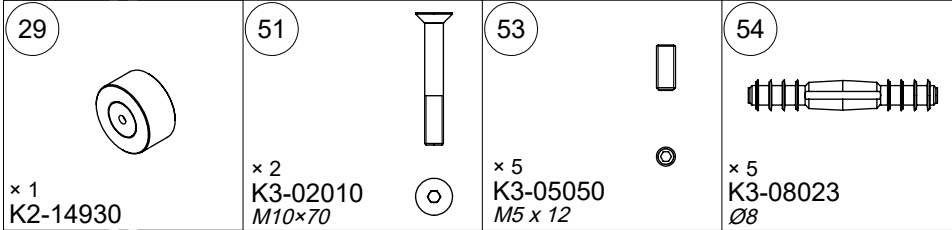
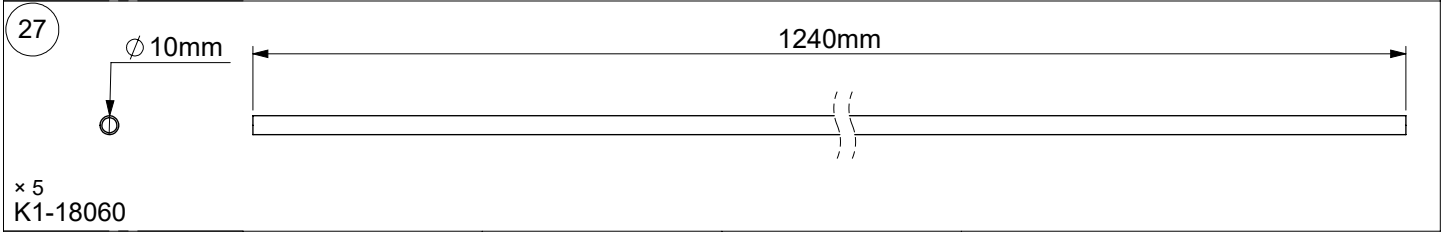
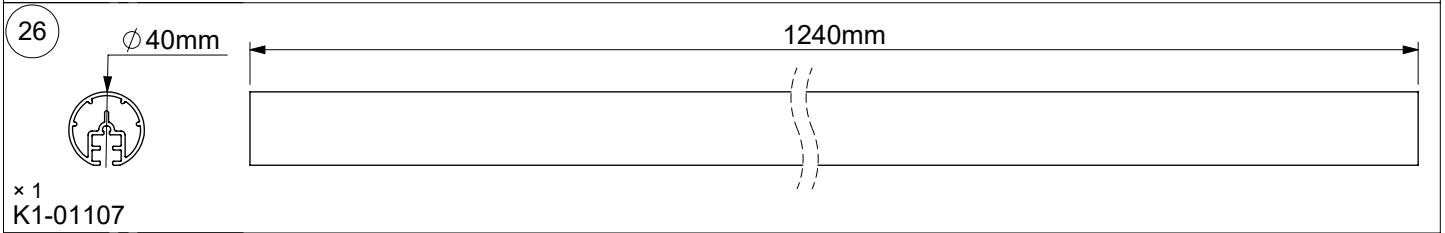
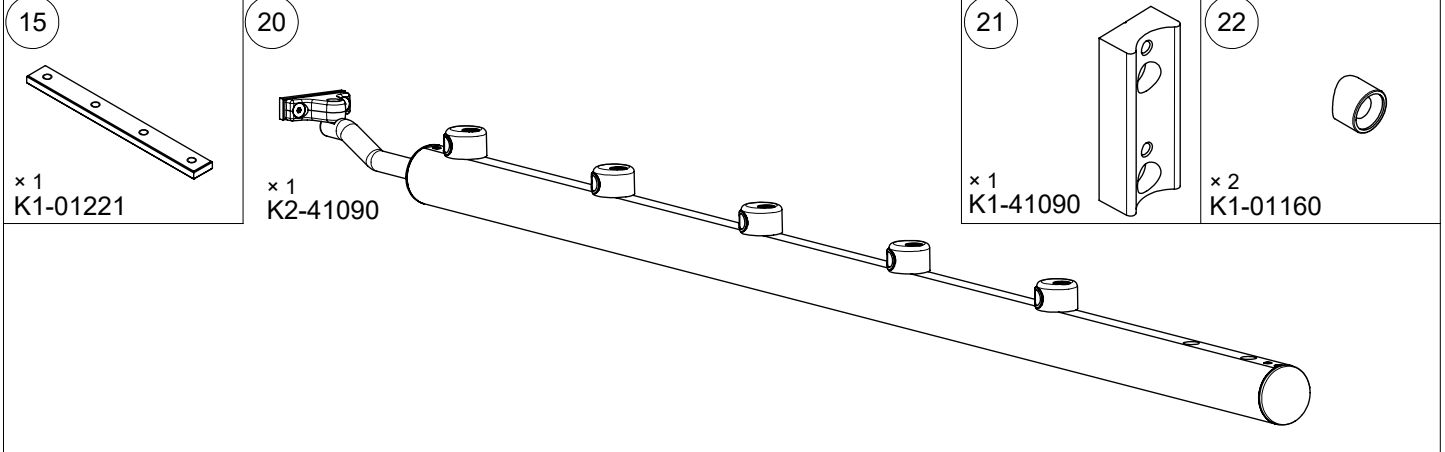
x 4
K3-02216
M6 x 16

| 1068031 | | Steiggeländer für 6 Stufen Standard banister for 6 steps | | | |
|---|--|---|---|--|--|
| <p>14</p>  <p>× 6 K2-41052</p> | <p>15</p>  <p>× 1 K1-01221</p> | <p>16</p>  <p>× 6 K1-02130</p> | <p>17</p>  <p>× 2 K2-04040</p> | | |
| <p>18</p>  <p>× 6 K1-41056</p> | | | | | |
| <p>19</p>  <p>× 1 K1-01100</p> | | | | | |
| <p>46</p>  <p>× 6 K3-01034 M4 x 30</p> | <p>47</p>  <p>× 6 K3-03004 M4</p> | <p>48</p>  <p>× 12 K3-05006 M6 x 8</p> | <p>53</p>  <p>× 4 K3-05050 M5 x 12</p> | | |

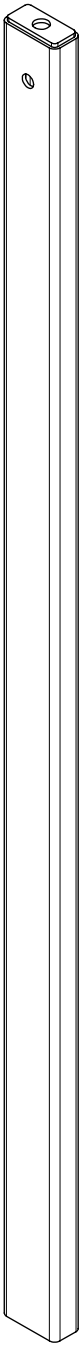
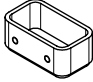
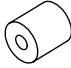






| 1068040 | | Steiggeländer PROVA Starter-Set für 4 Stufen PROVA banister start for 4 steps | | | |
|--|--|--|--|---|---|
| <p>17</p>  <p>× 2 K2-04040</p> | <p>20</p>  <p>× 2 K2-41090</p> | | | <p>21</p>  <p>× 2 K1-41090</p> | <p>22</p>  <p>× 4 K1-01160</p> |
| <p>26</p>  <p>× 1 K1-01107</p> | | | | | |
| <p>27</p>  <p>× 5 K1-18060</p> | | | | | |
| <p>28</p>  <p>× 10 K1-01010</p> | <p>29</p>  <p>× 1 K2-14930</p> | <p>51</p>  <p>× 4 K3-02010 M10 x 70</p> | | | |

1068041

Steiggeländer PROVA Ergänzungs-Set für 4 Stufen
PROVA banister extension for 4 steps



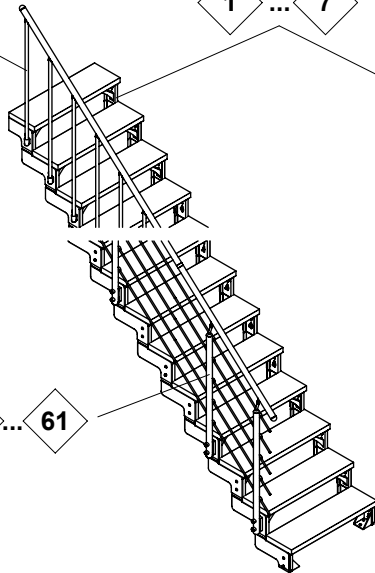
1068098**Unterstützung
Support****OPTION**

| | | | | | |
|--|--|---|---|---|--|
| <p>24</p>  <p>× 1 K1-41950</p> | <p>26</p>  <p>× 1 K1-41955</p> | <p>27</p>  <p>× 1 K1-41956</p> | <p>41</p>  <p>× 1 K3-04110 Ø10</p> | <p>43</p>  <p>× 1 K3-03051 M10</p> | <p>52</p>  <p>× 1 K3-02375 M10 x 75</p> |
| | <p>53</p>  <p>× 2 K3-05007 M5 x 5</p> | <p>54</p>  <p>× 1 K3-08002 Ø8 x 40</p> | <p>55</p>  <p>× 1 K3-06032 Ø6 x 60</p> | | |

A

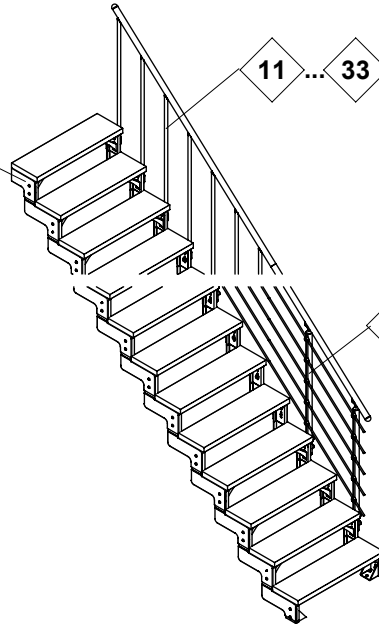
11 ... 33

1 ... 7



11 ... 33

A



41 ... 61

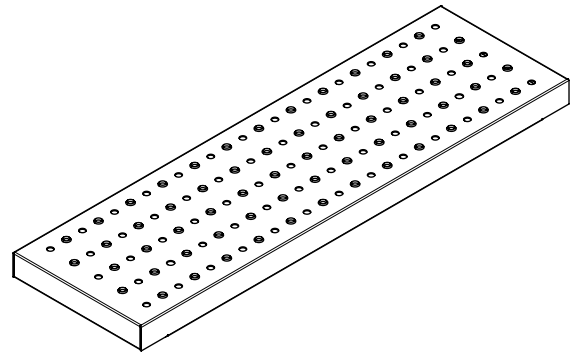
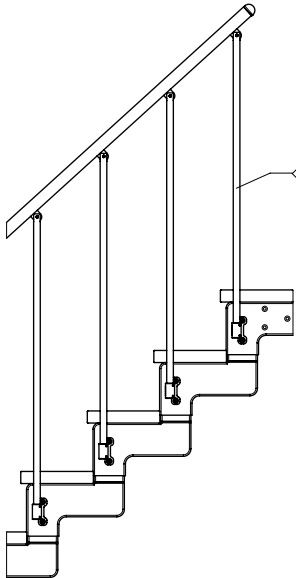
B

B

41 ... 61

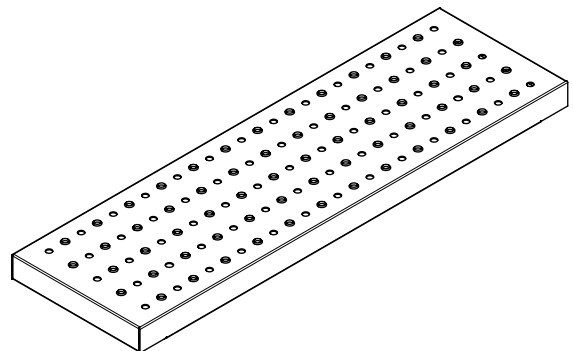
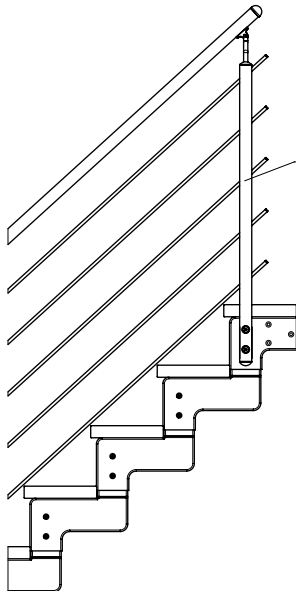
A

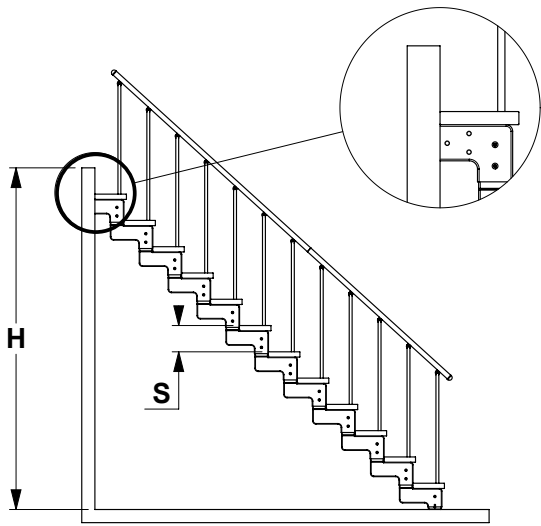
11 ... 33



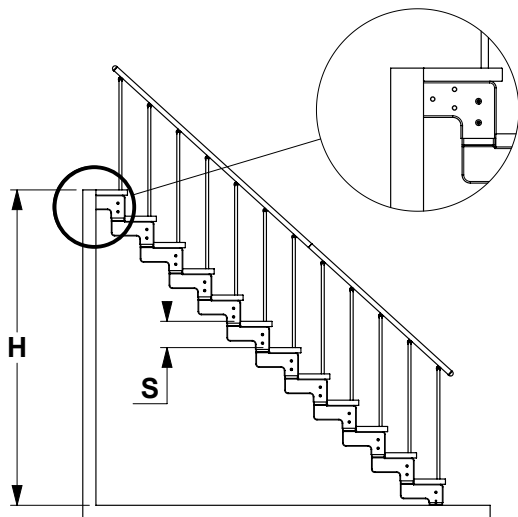
B

41 ... 61

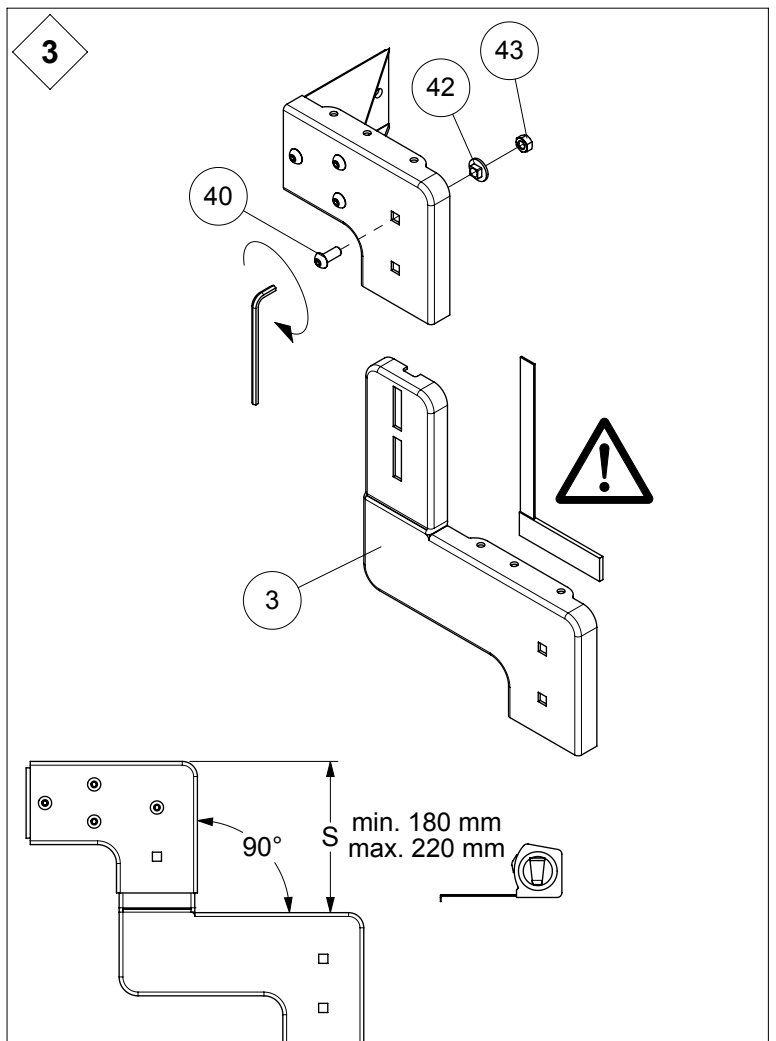
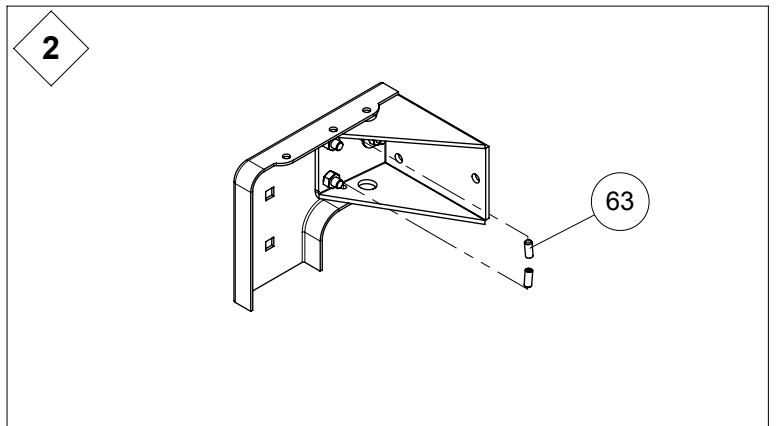
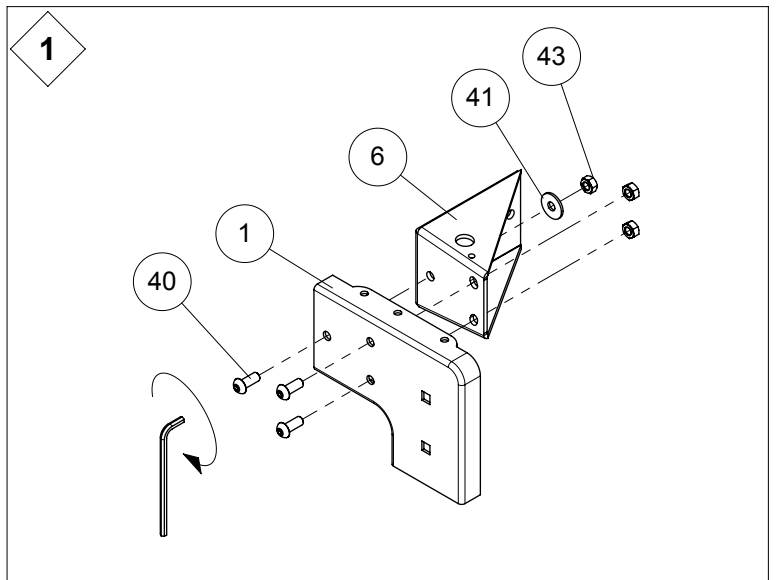


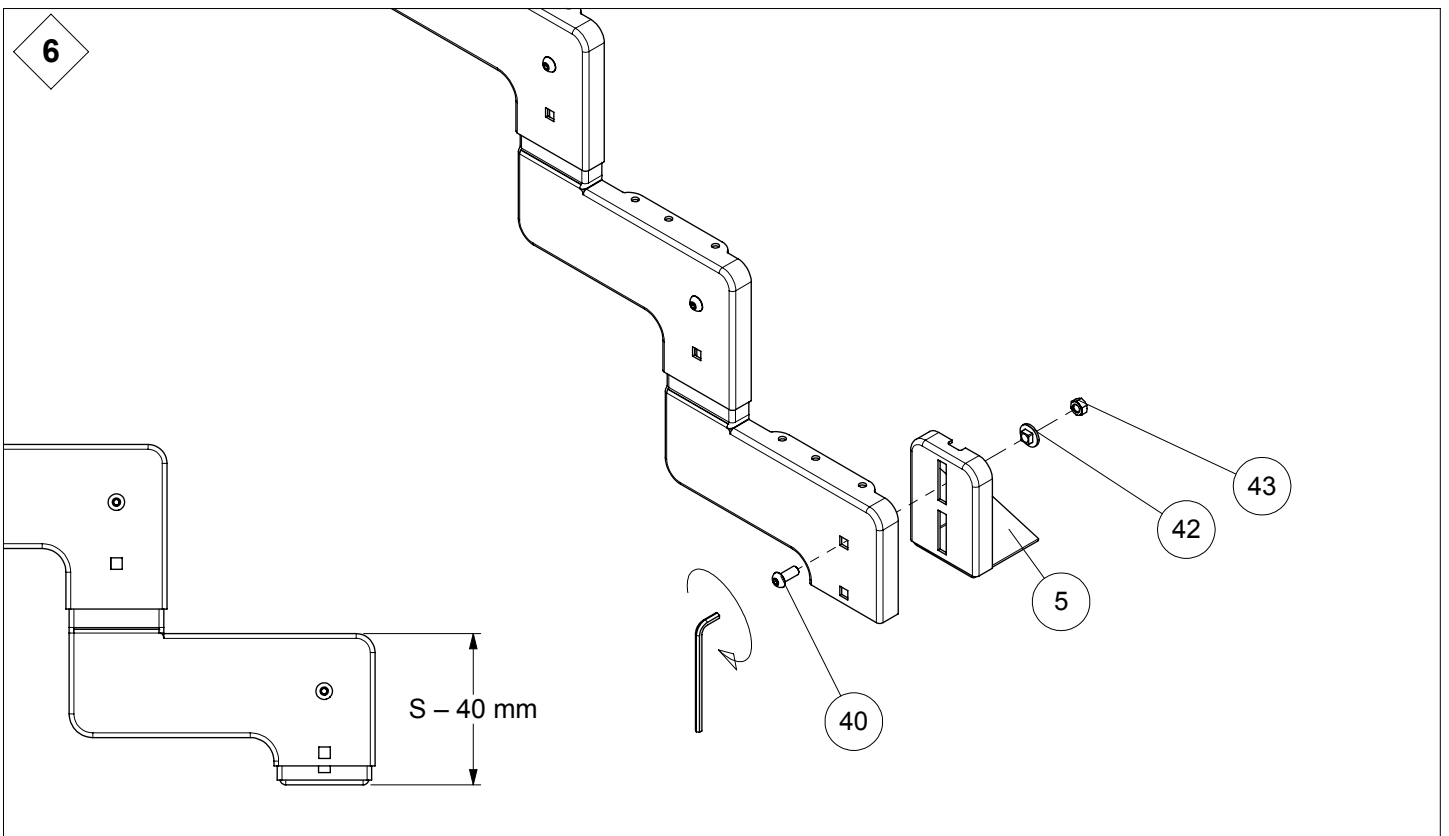
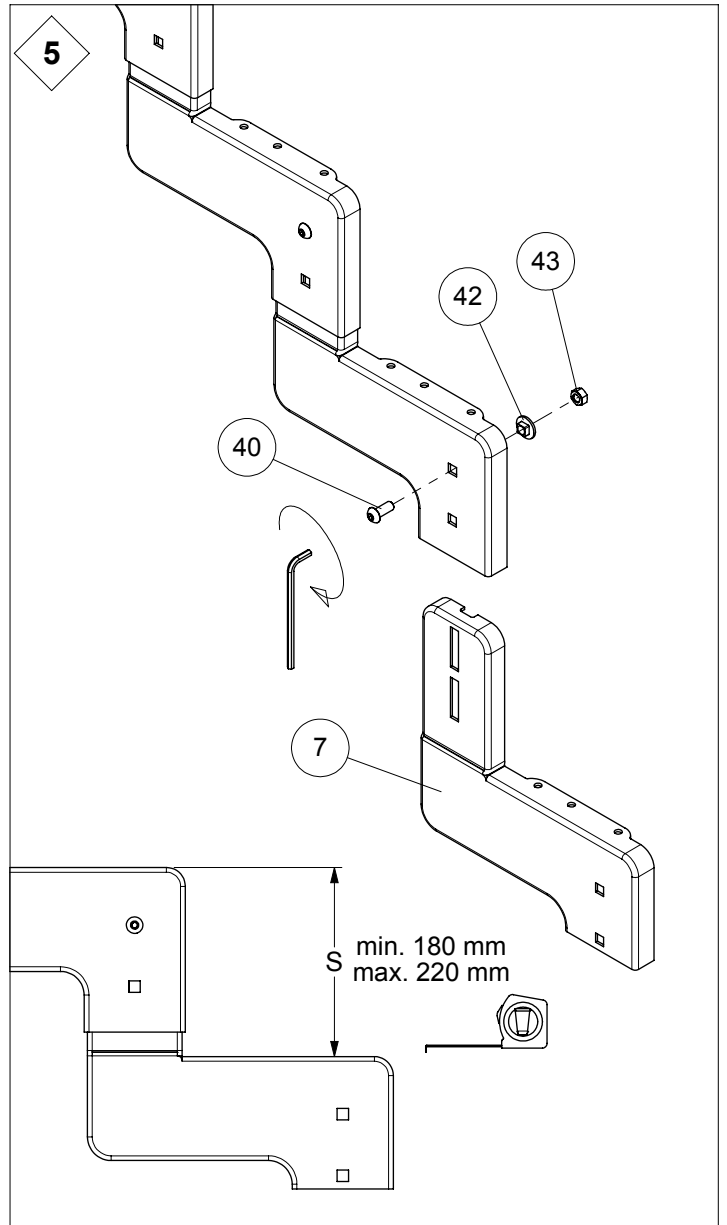
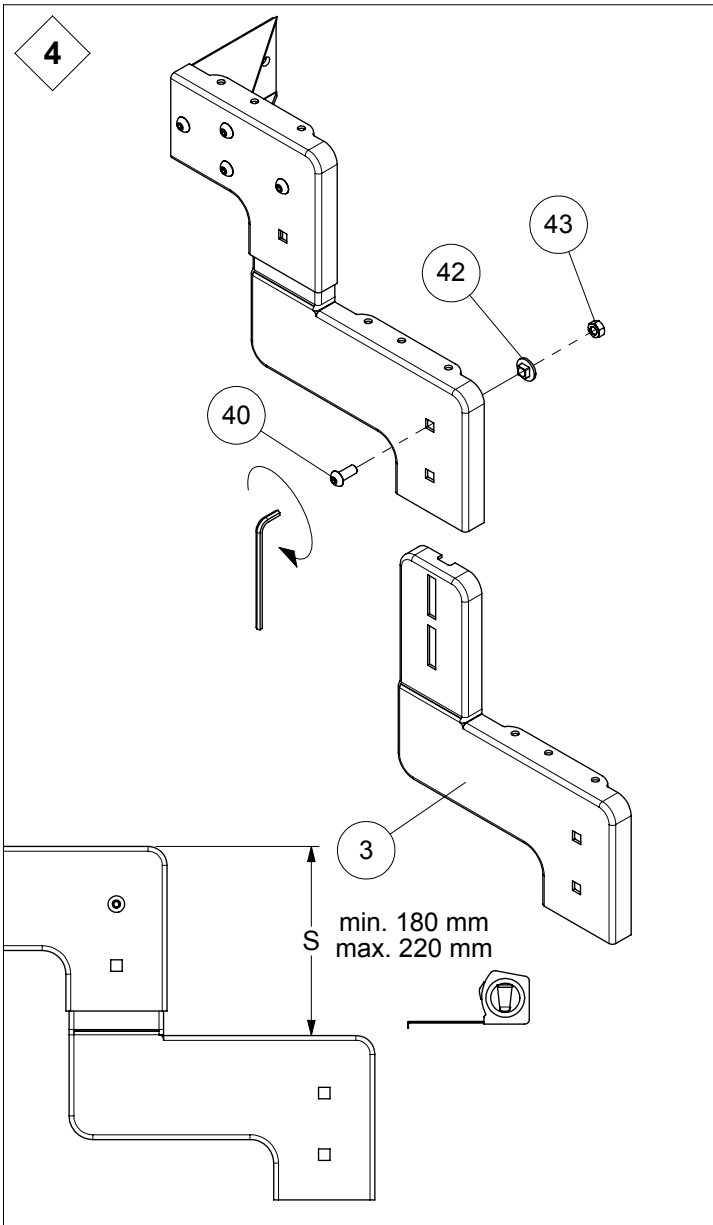


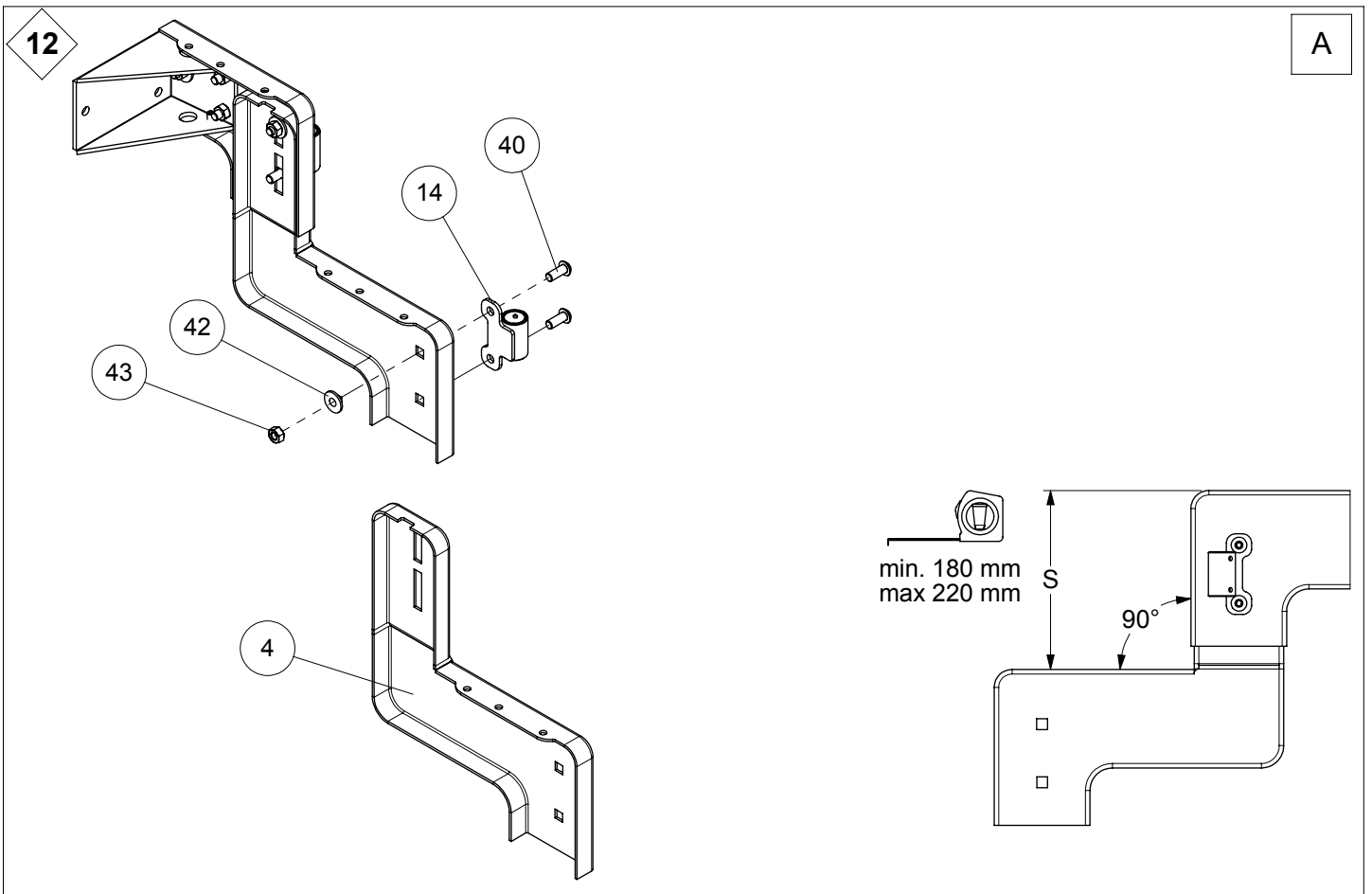
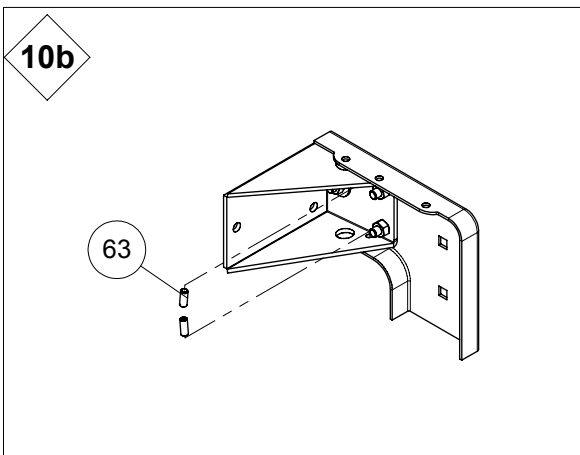
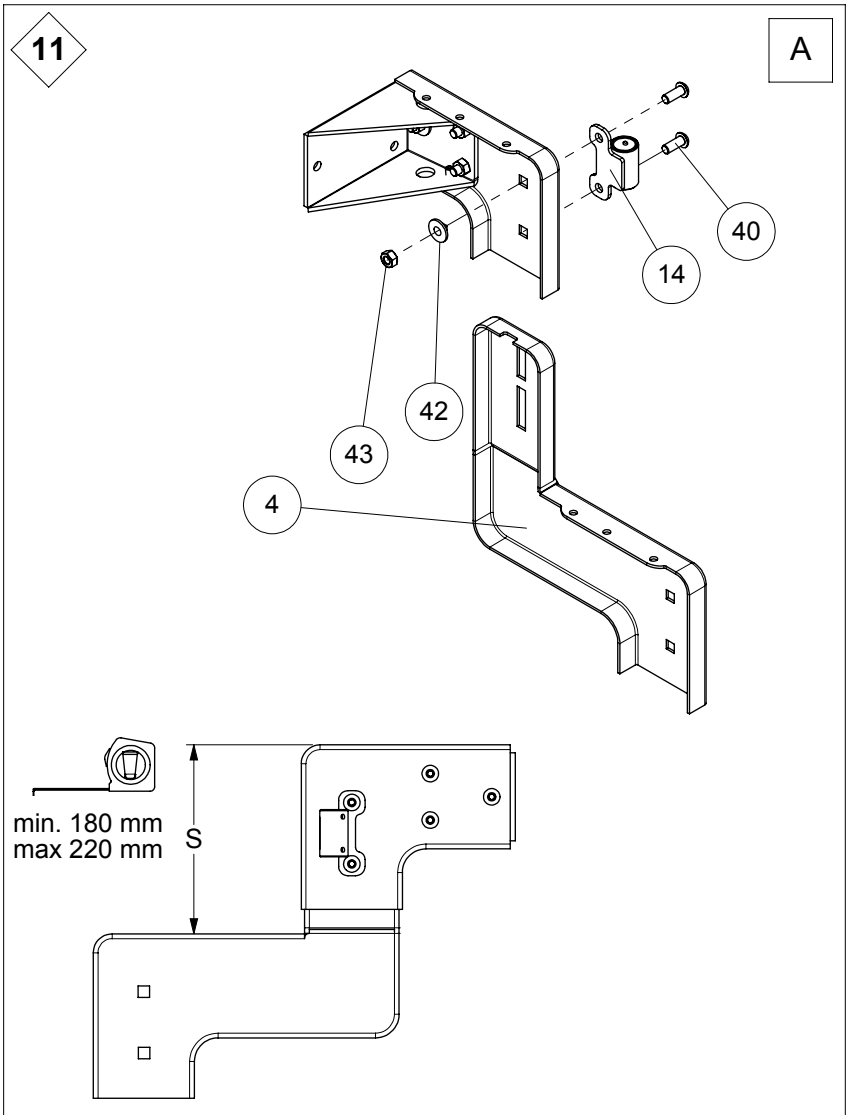
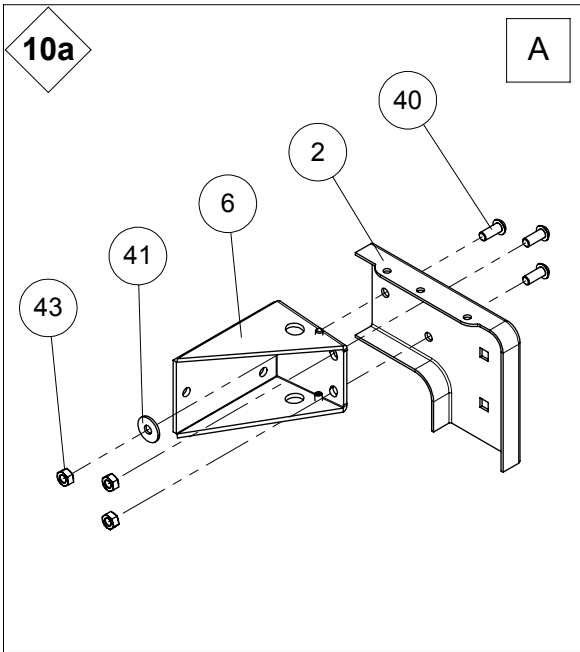
| H | S | | | | |
|----|------|------|------|------|------|
| | 180 | 190 | 200 | 210 | 220 |
| | mm | mm | mm | mm | mm |
| 2 | 540 | 570 | 600 | 630 | 660 |
| 3 | 720 | 760 | 800 | 840 | 880 |
| 4 | 900 | 950 | 1000 | 1050 | 1100 |
| 5 | 1080 | 1140 | 1200 | 1260 | 1320 |
| 6 | 1260 | 1330 | 1400 | 1470 | 1540 |
| 7 | 1440 | 1520 | 1600 | 1680 | 1760 |
| 8 | 1620 | 1710 | 1800 | 1890 | 1980 |
| 9 | 1800 | 1900 | 2000 | 2100 | 2200 |
| 10 | 1980 | 2090 | 2200 | 2310 | 2420 |
| 11 | 2160 | 2280 | 2400 | 2520 | 2640 |
| 12 | 2340 | 2470 | 2600 | 2730 | 2860 |



| H | S | | | | |
|----|------|------|------|------|------|
| | 180 | 190 | 200 | 210 | 220 |
| | mm | mm | mm | mm | mm |
| 2 | 360 | 380 | 400 | 420 | 440 |
| 3 | 540 | 570 | 600 | 630 | 660 |
| 4 | 720 | 760 | 800 | 840 | 880 |
| 5 | 900 | 950 | 1000 | 1050 | 1100 |
| 6 | 1080 | 1140 | 1200 | 1260 | 1320 |
| 7 | 1260 | 1330 | 1400 | 1470 | 1540 |
| 8 | 1440 | 1520 | 1600 | 1680 | 1760 |
| 9 | 1620 | 1710 | 1800 | 1890 | 1980 |
| 10 | 1800 | 1900 | 2000 | 2100 | 2200 |
| 11 | 1980 | 2090 | 2200 | 2310 | 2420 |
| 12 | 2160 | 2280 | 2400 | 2520 | 2640 |

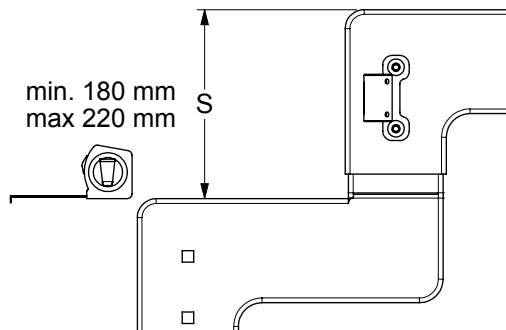
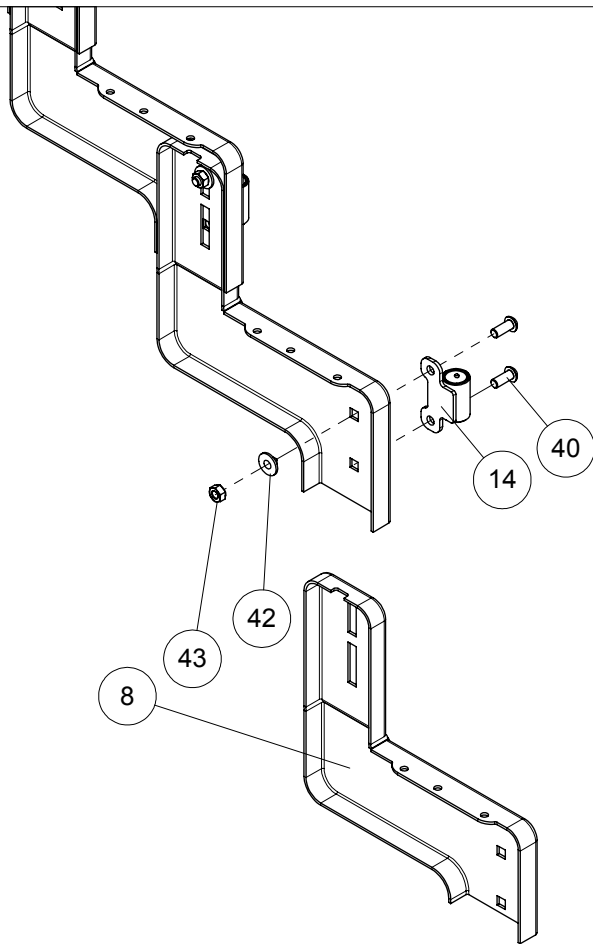






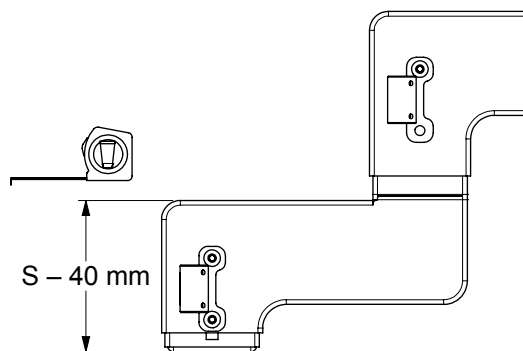
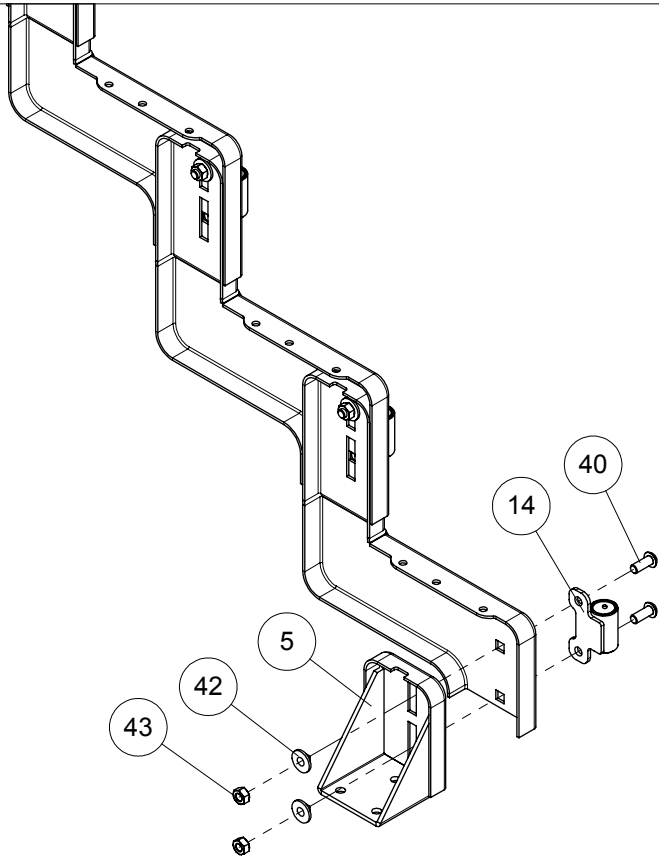
13

A



14

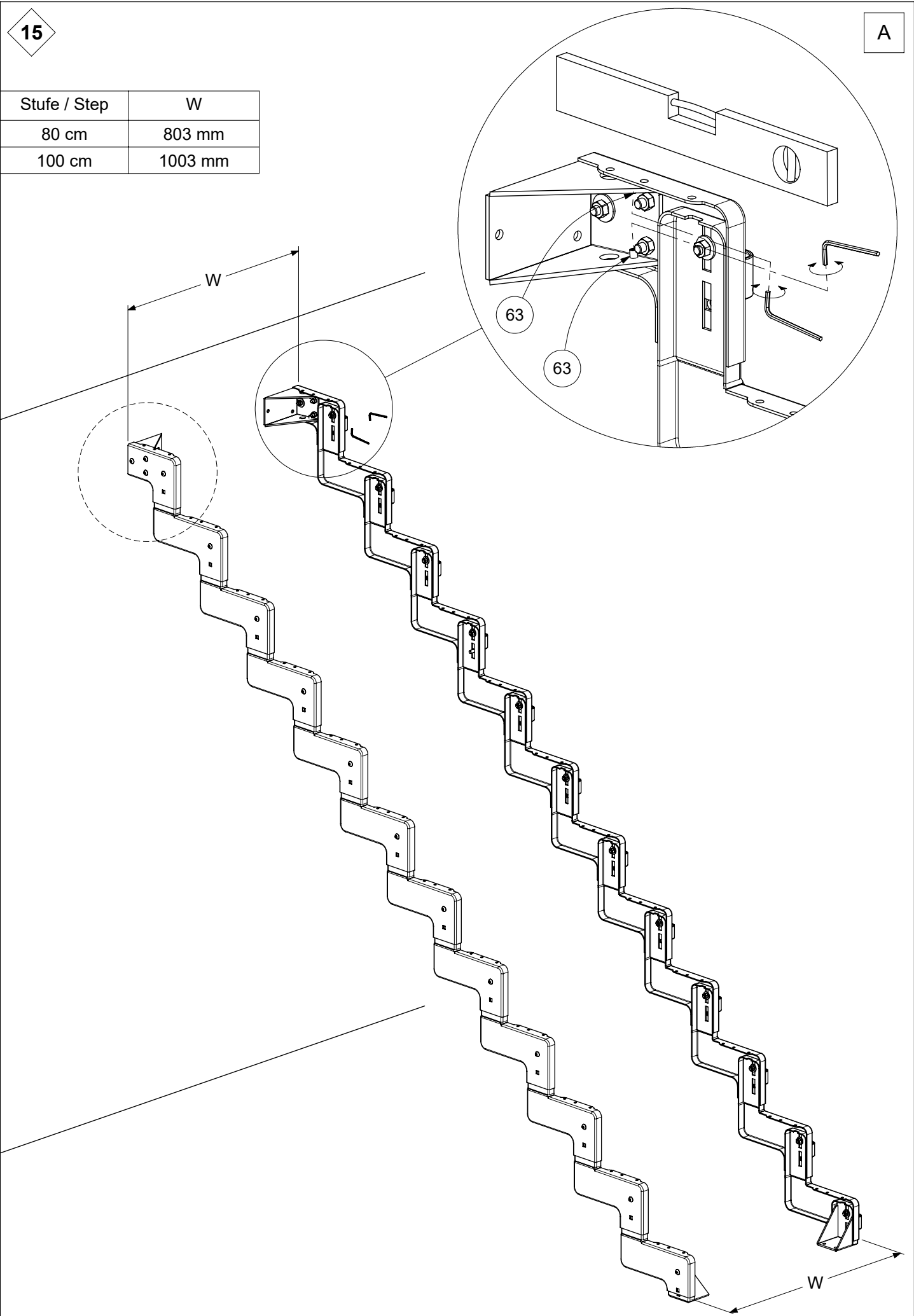
A

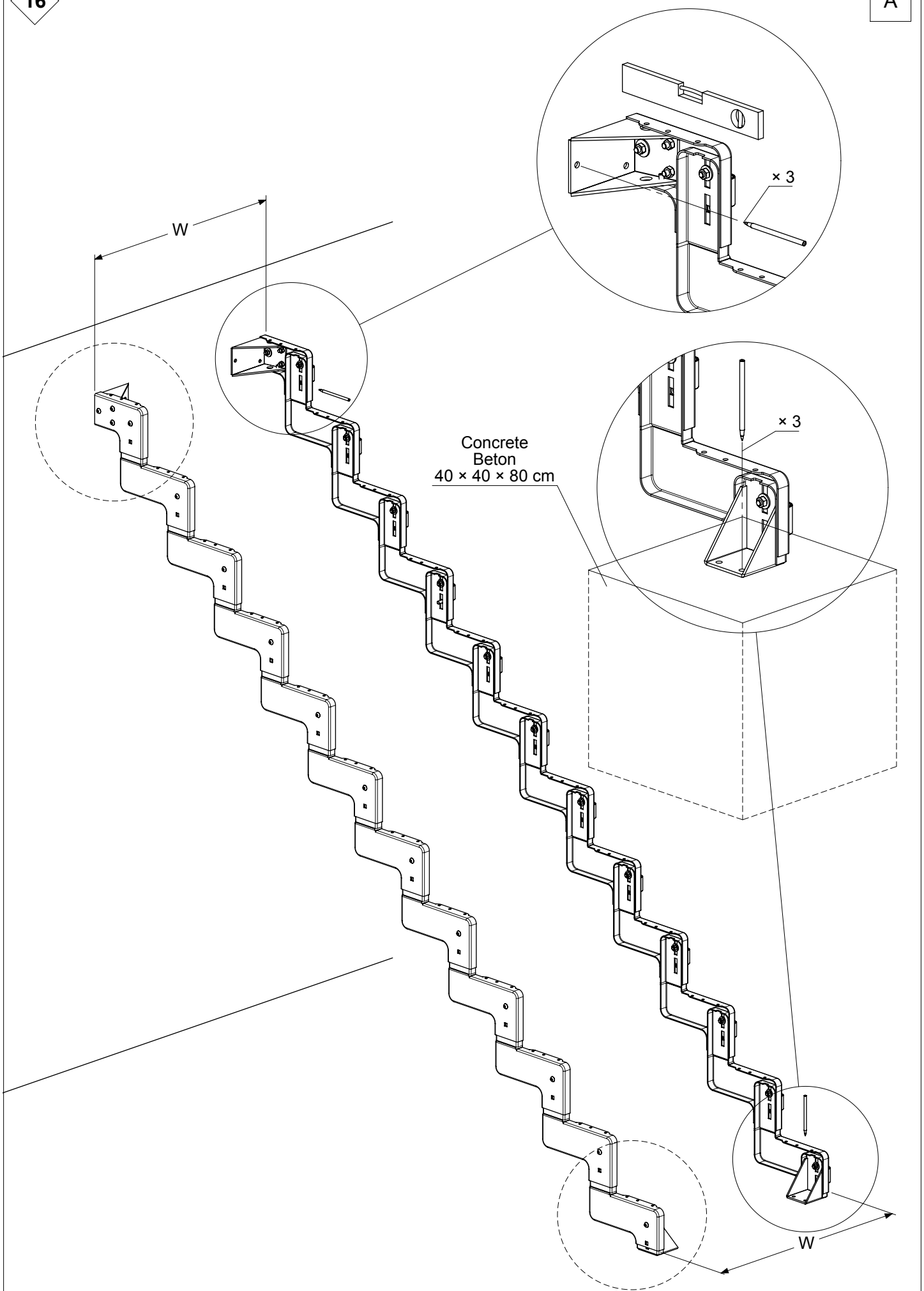


15

A

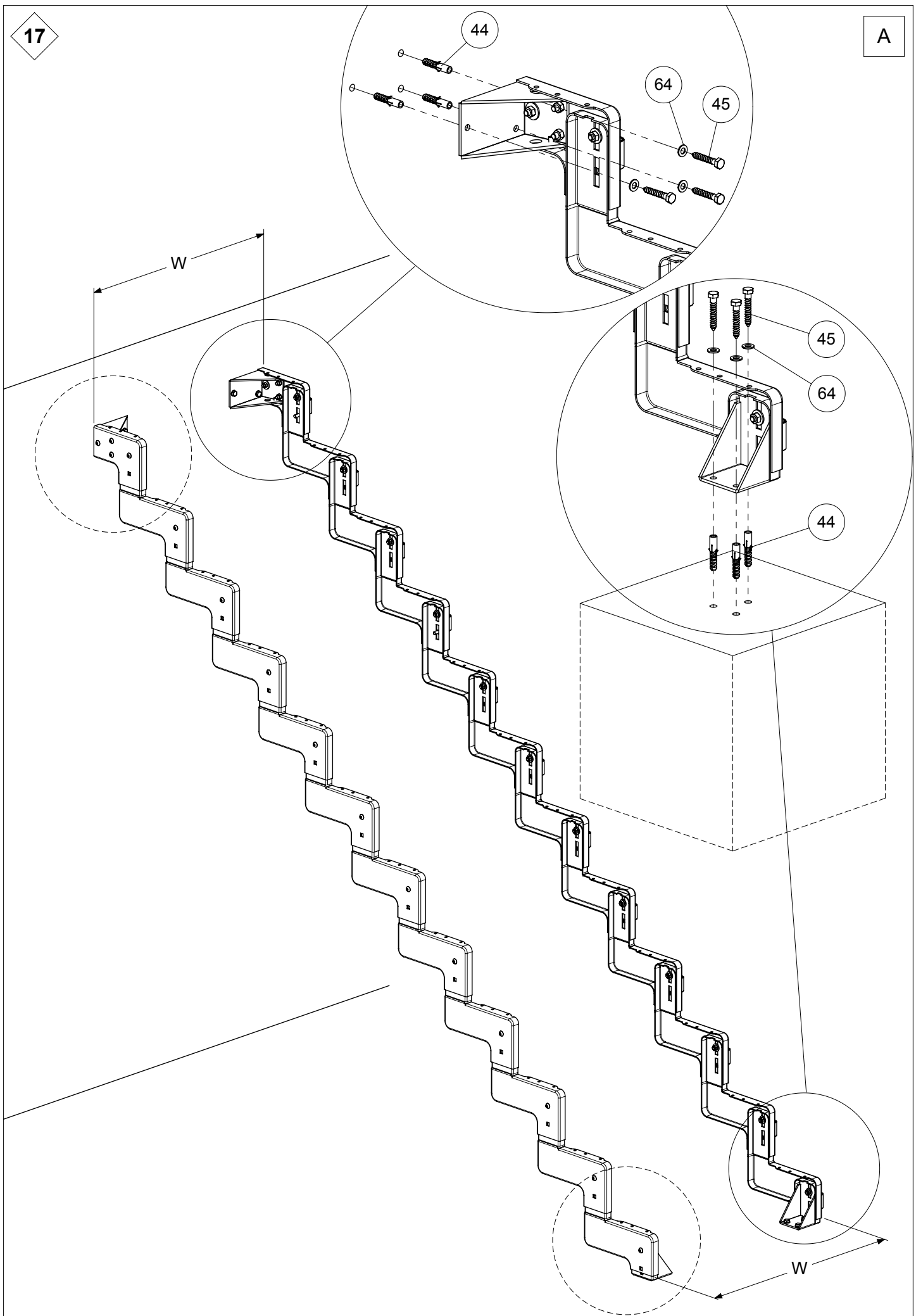
| Stufe / Step | W |
|--------------|---------|
| 80 cm | 803 mm |
| 100 cm | 1003 mm |

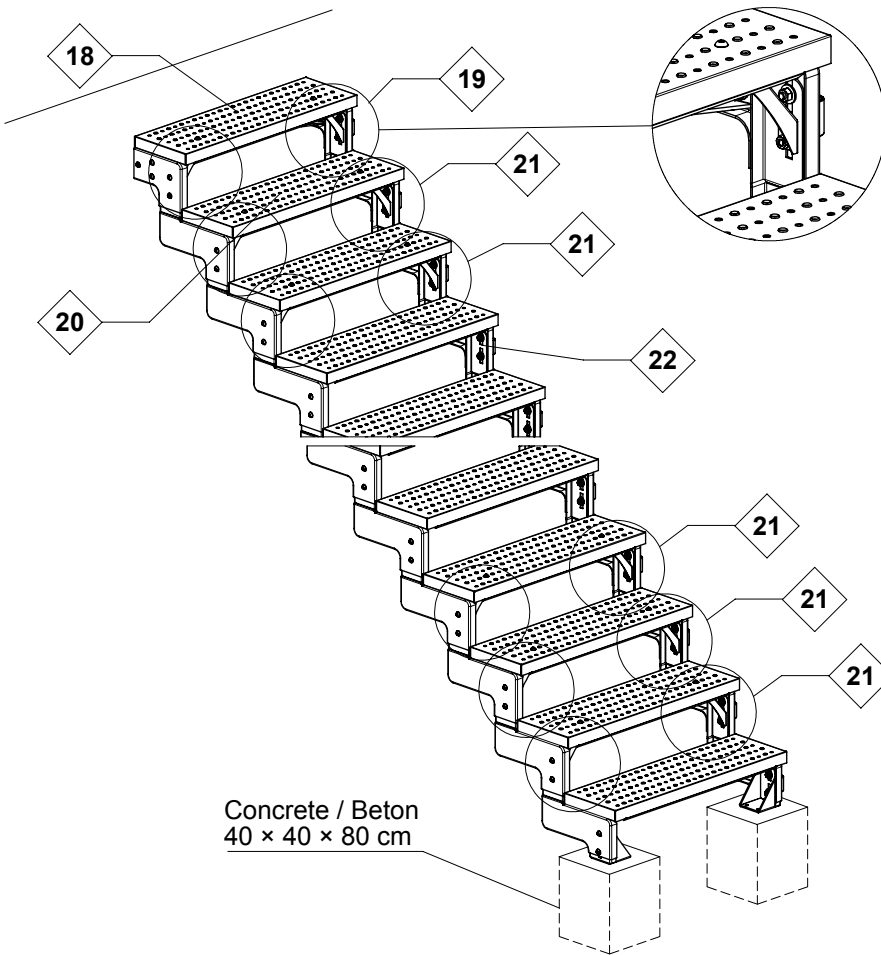





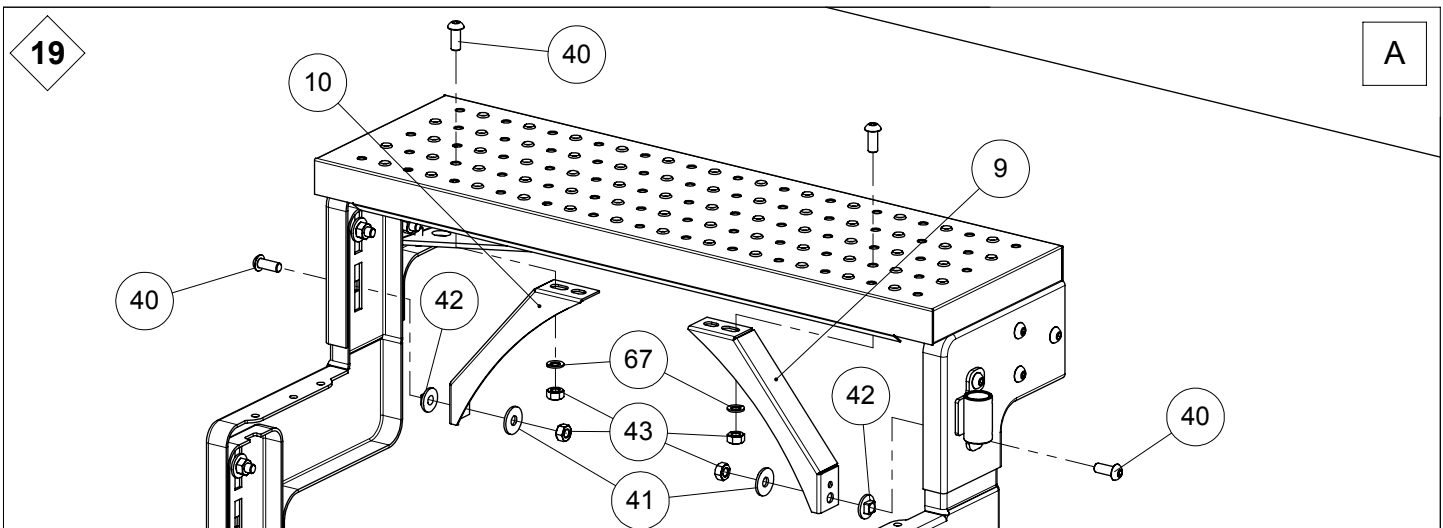
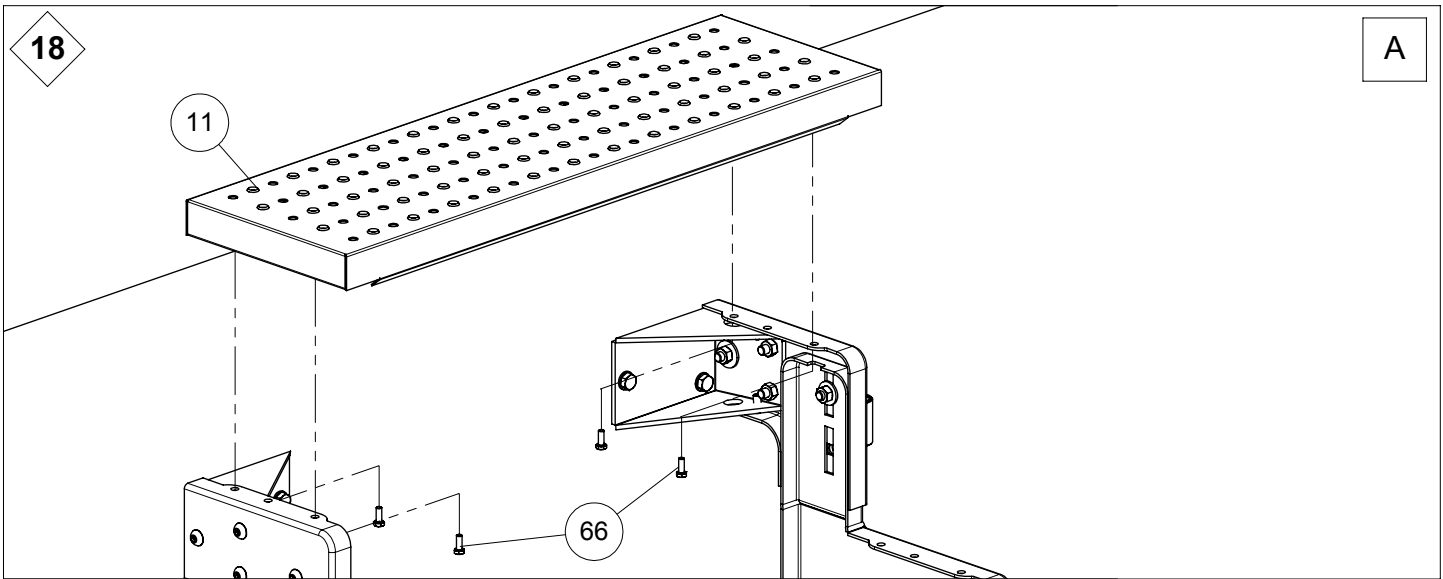
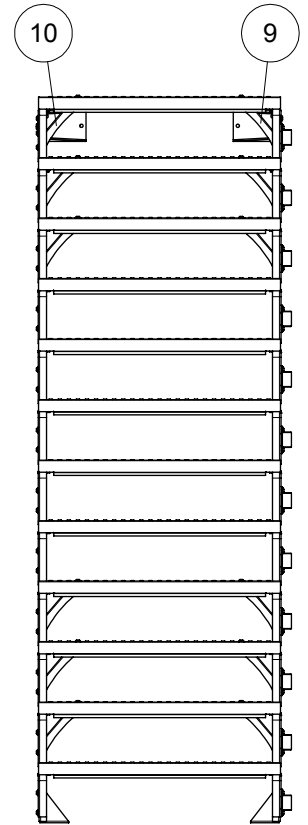
17

A



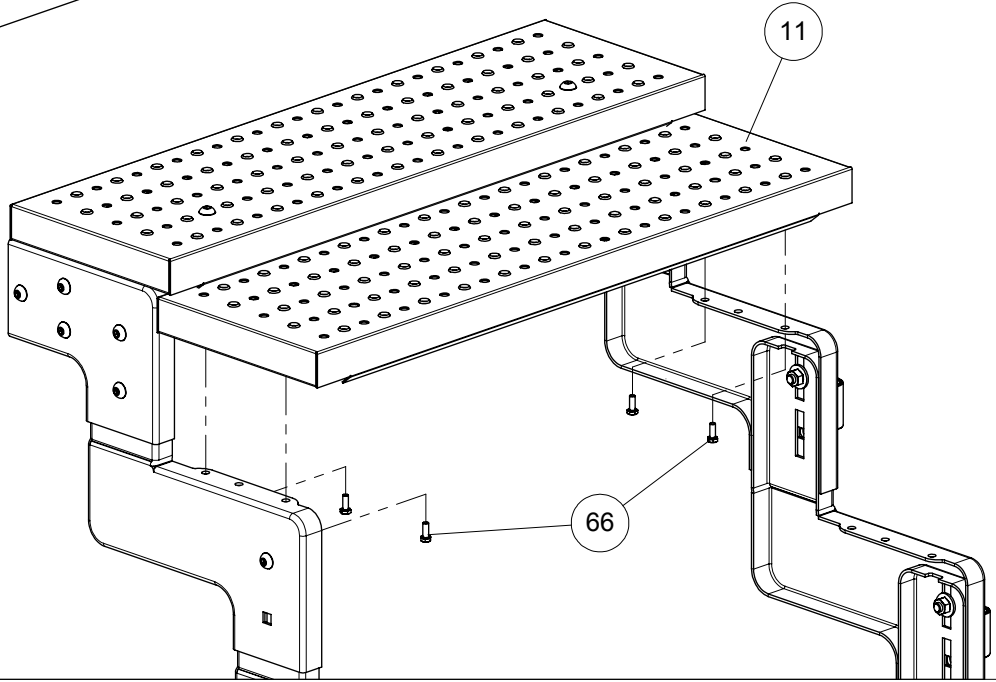



 If more than
6 steps:
Add
 (10) + (9)
 Wenn mehr als
6 Stufen:
 (10) + (9)
 hinzufügen



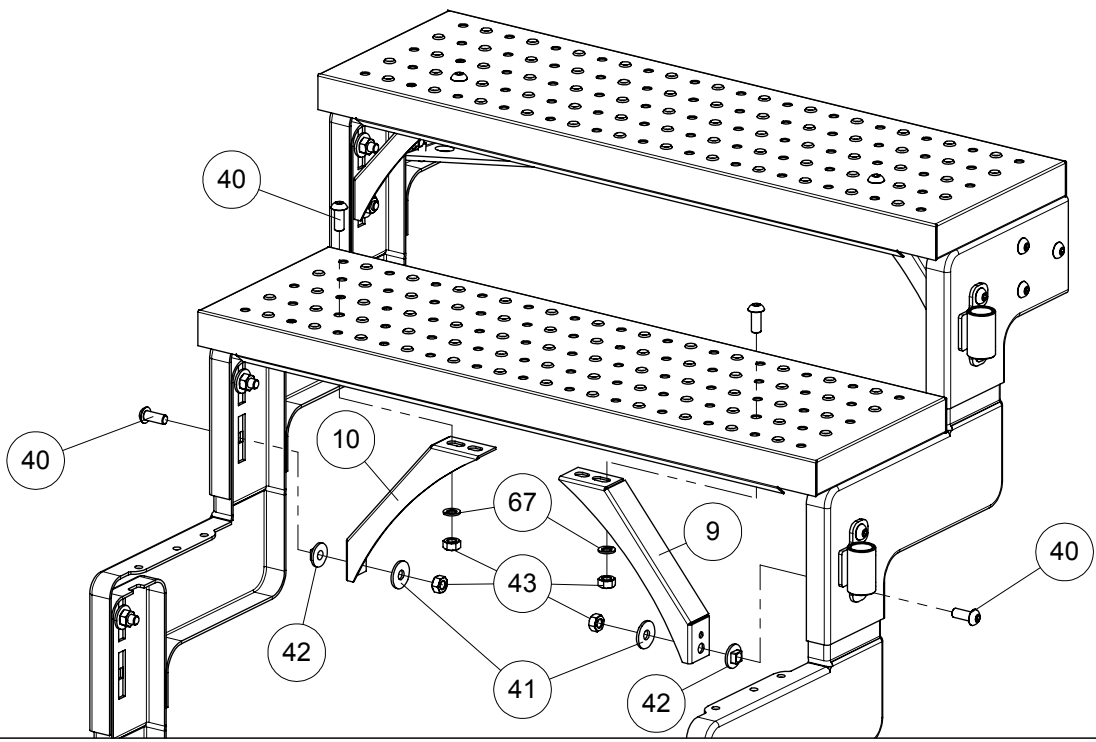
20

A



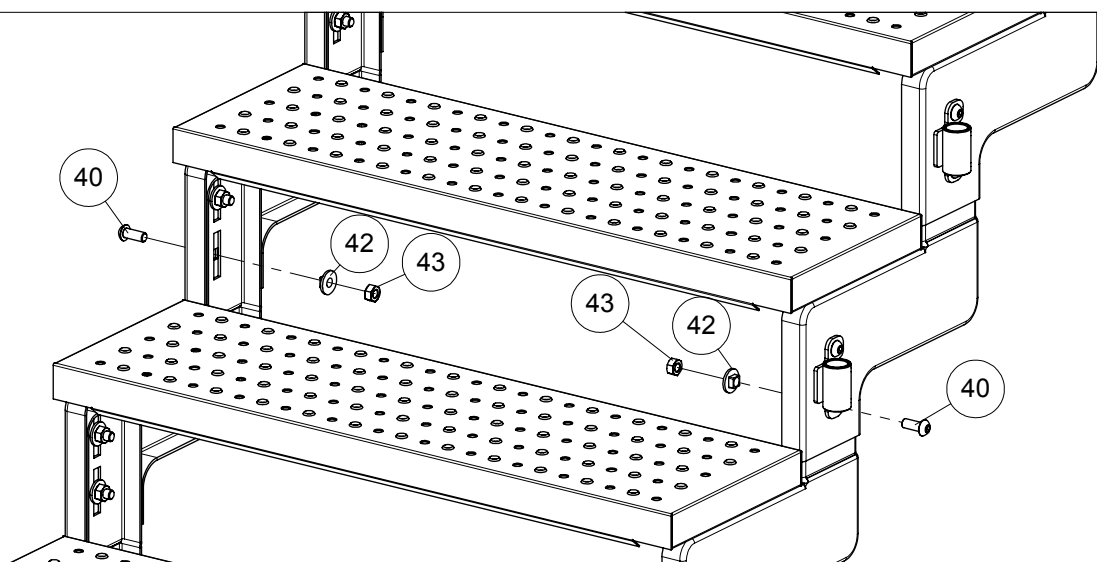
21

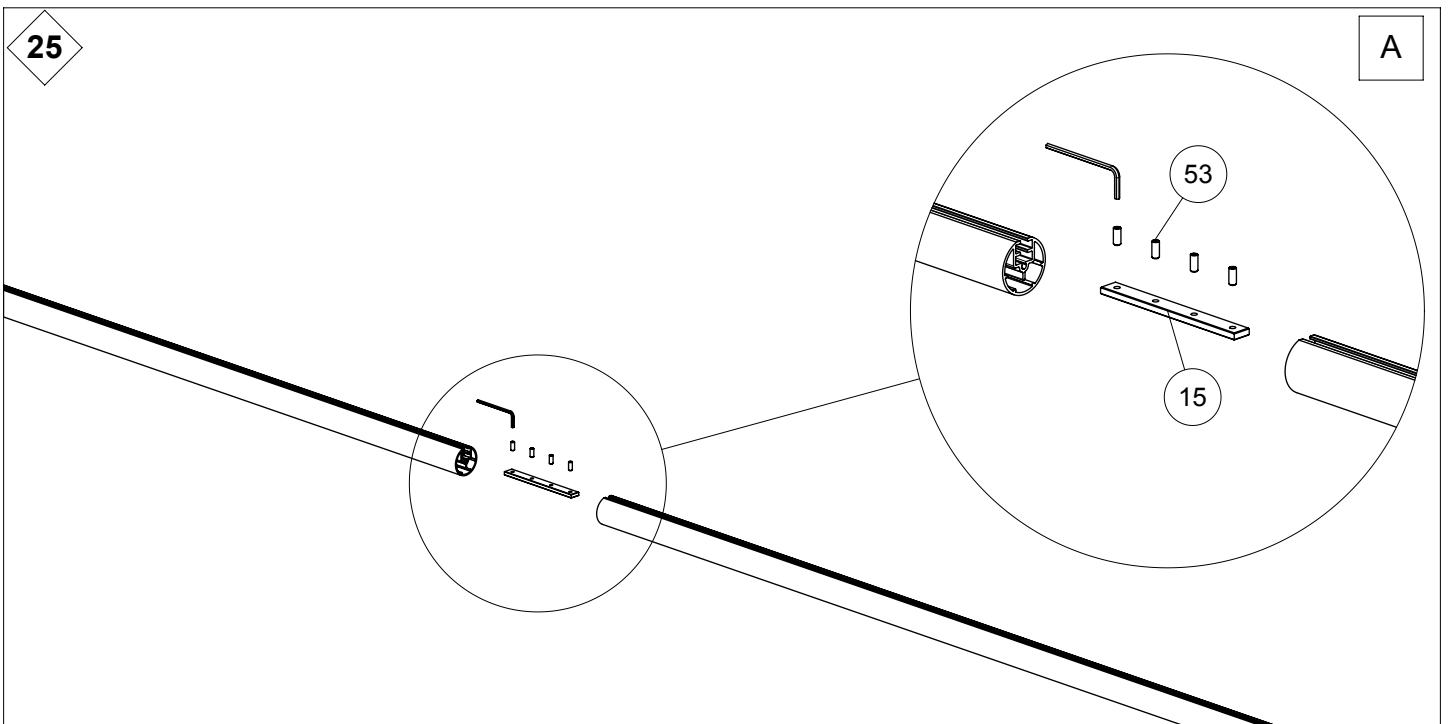
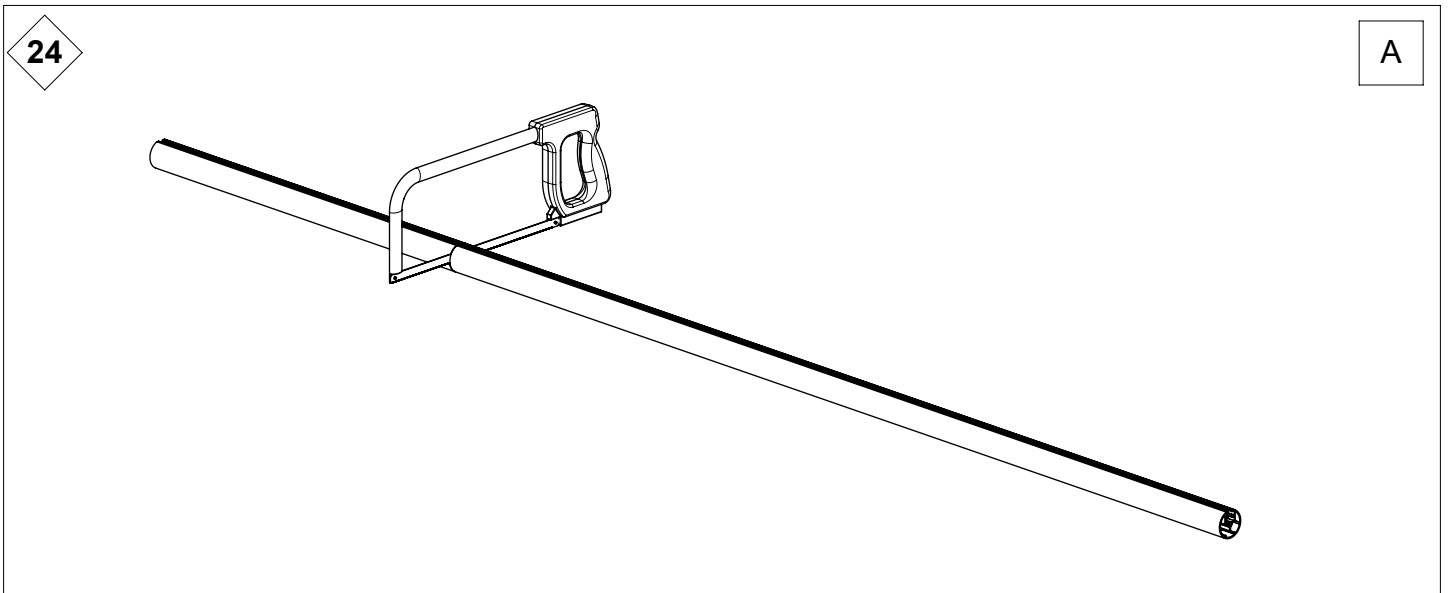
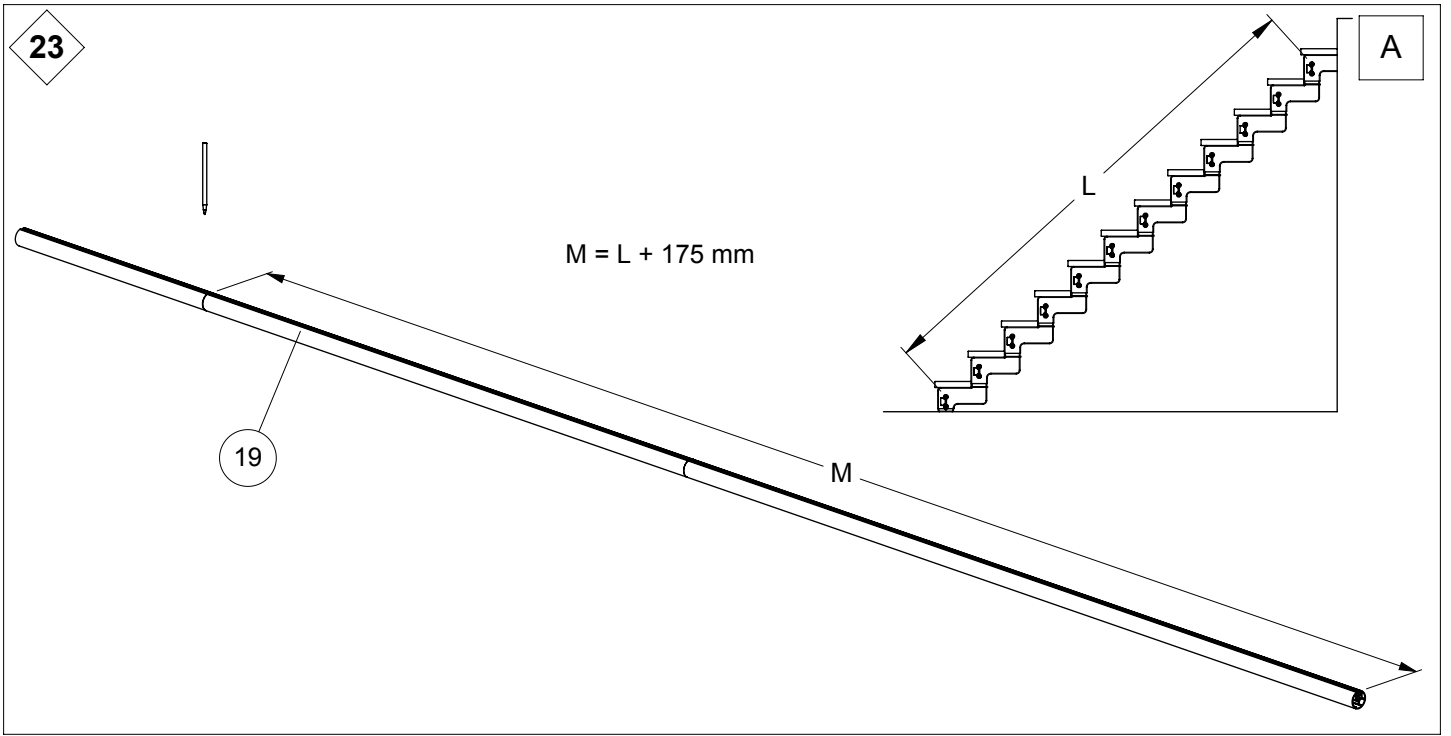
A

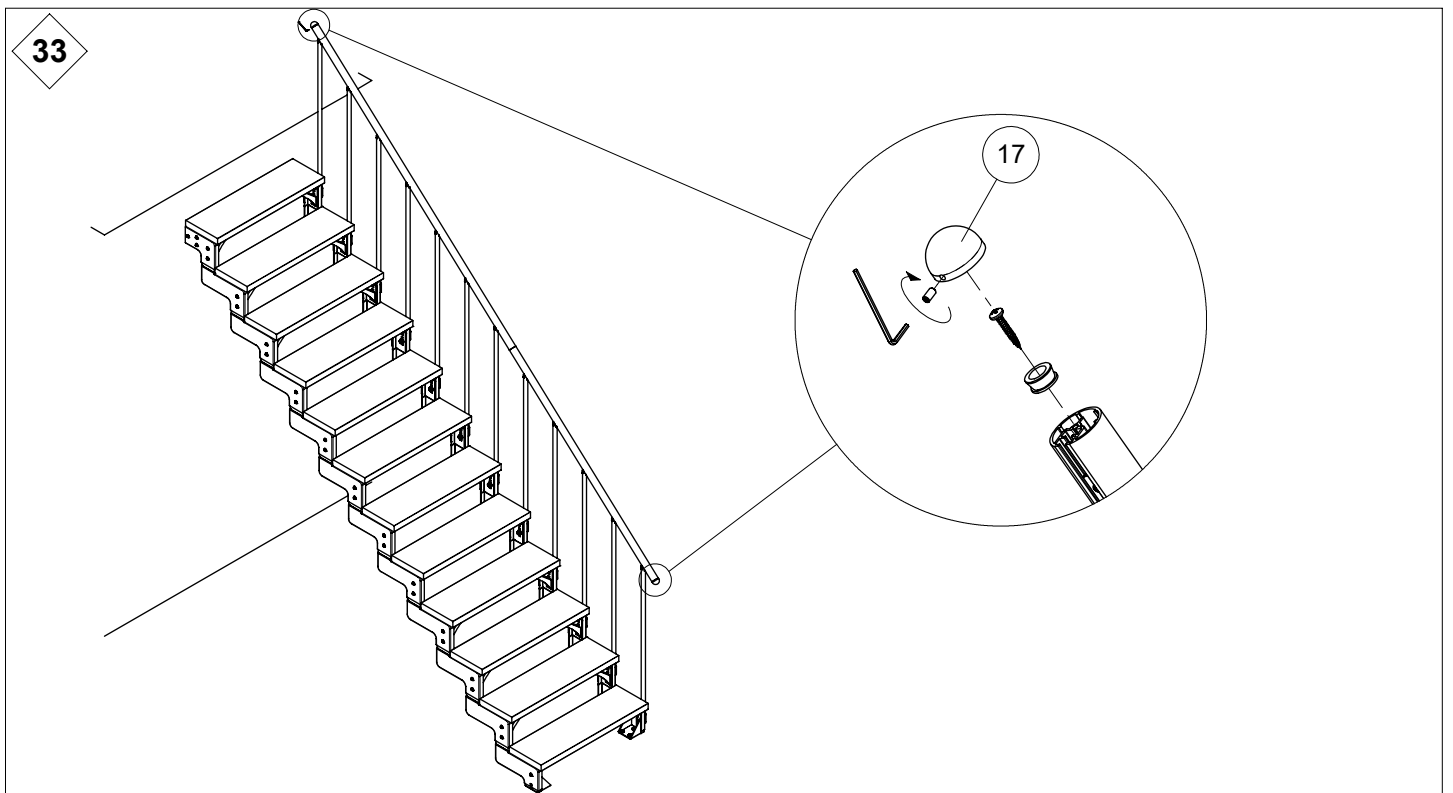
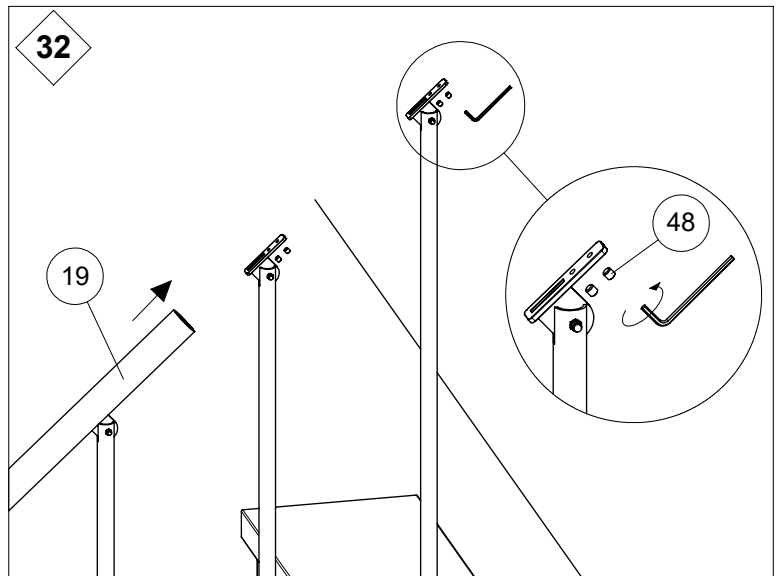
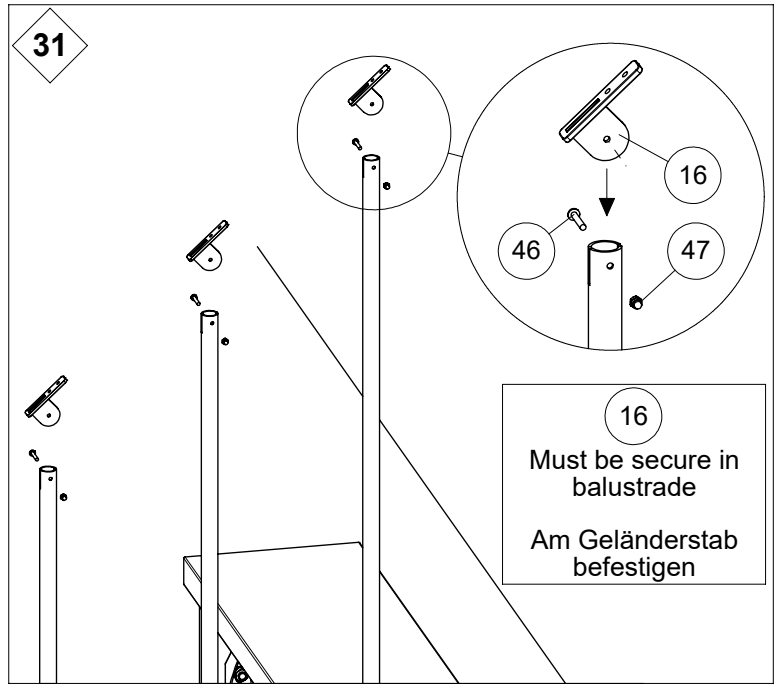
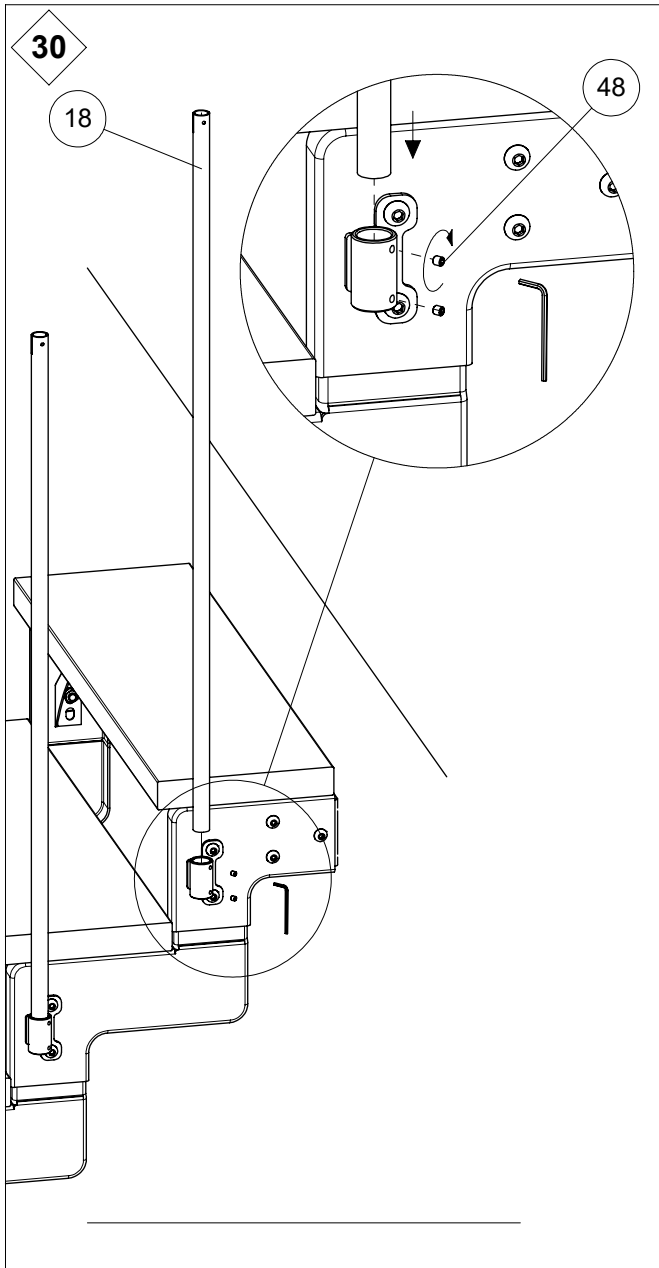


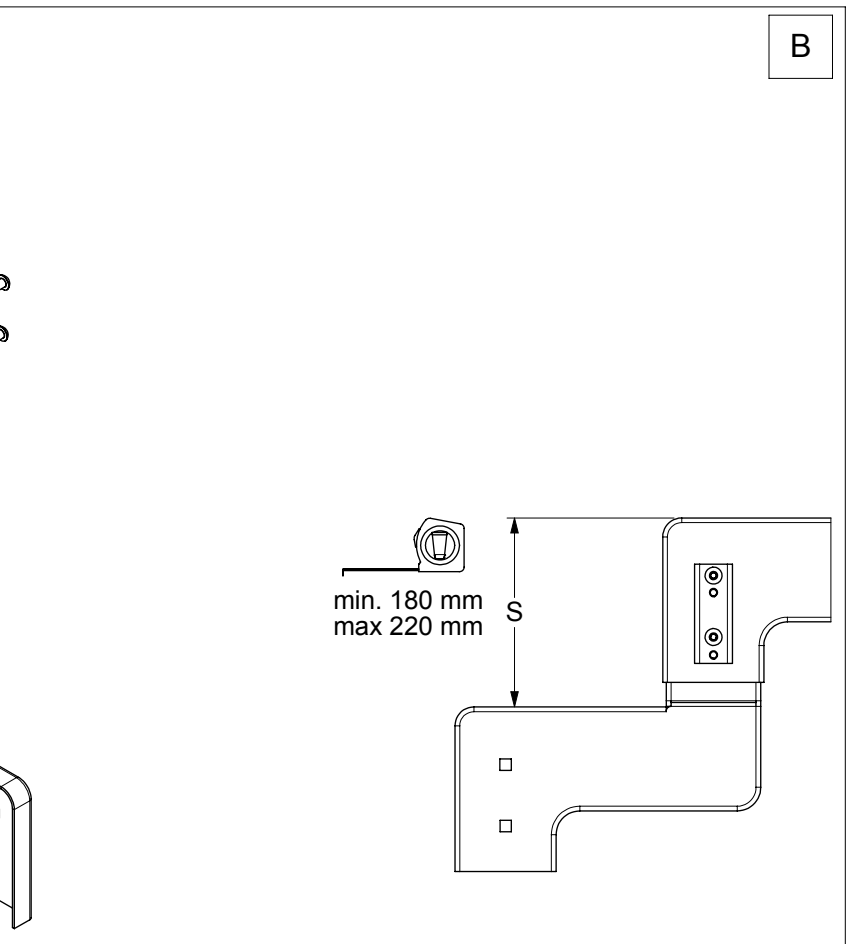
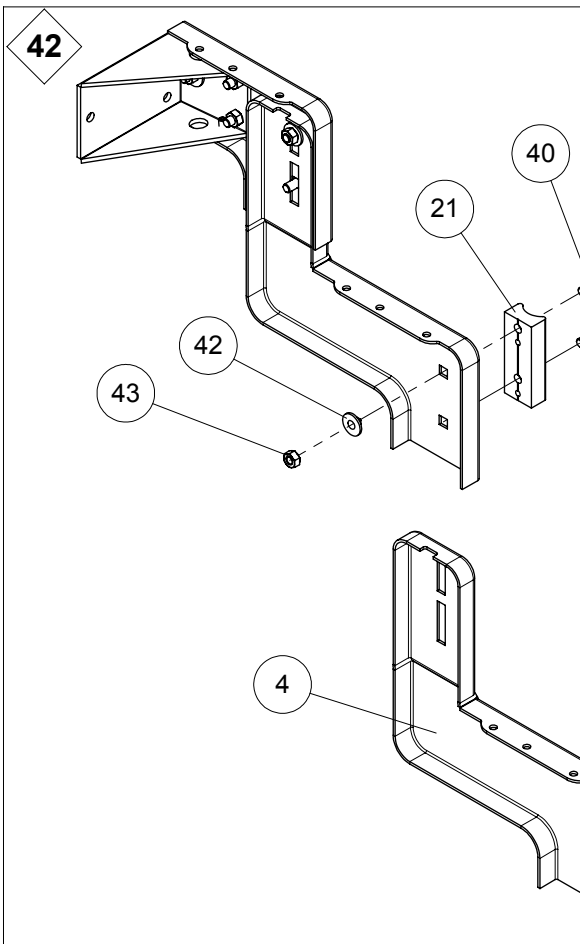
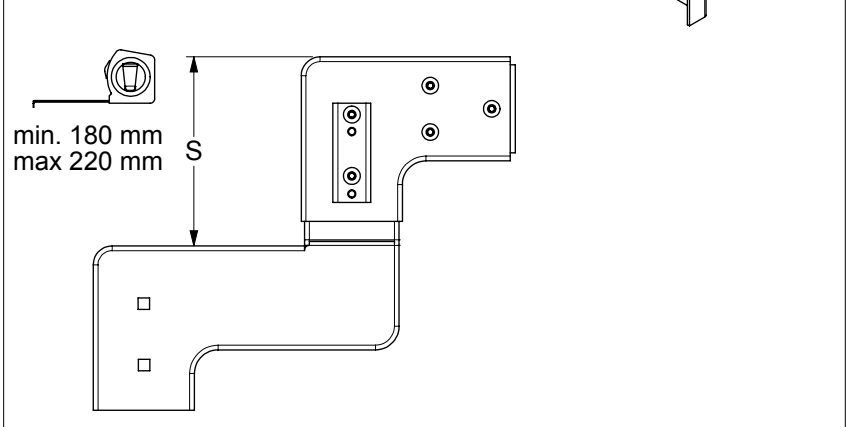
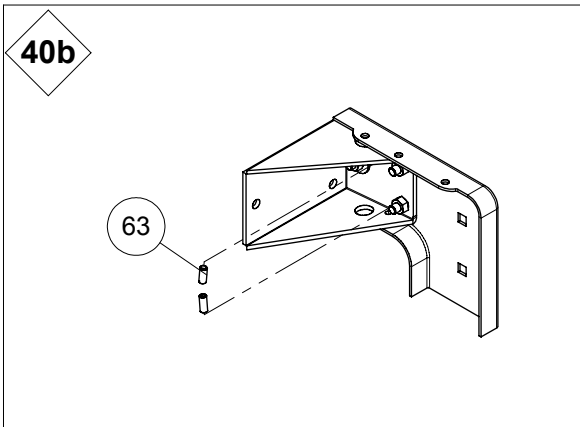
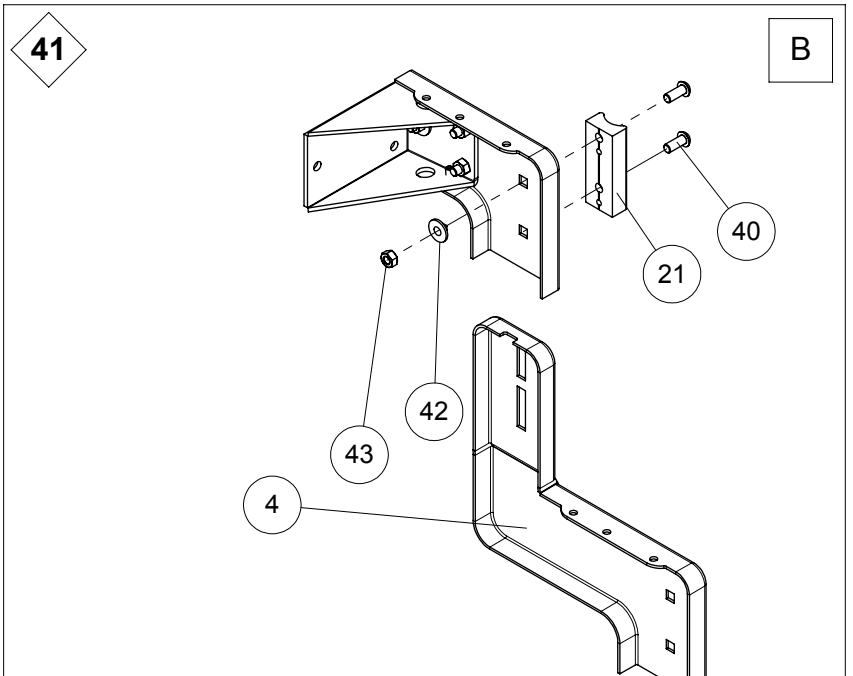
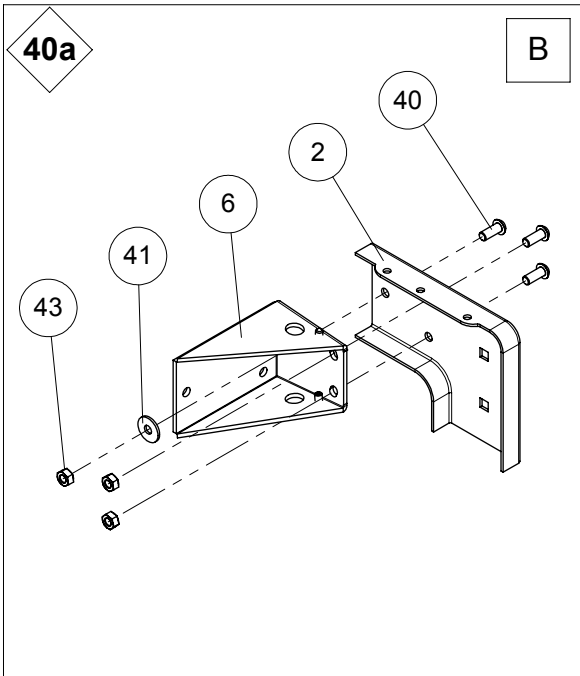
22

A



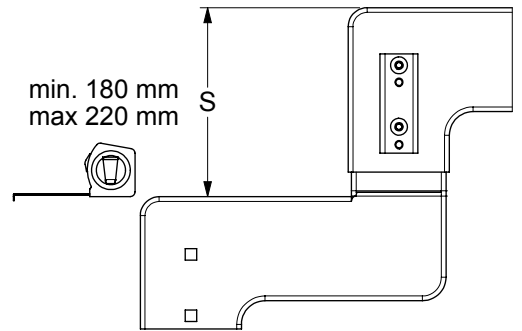
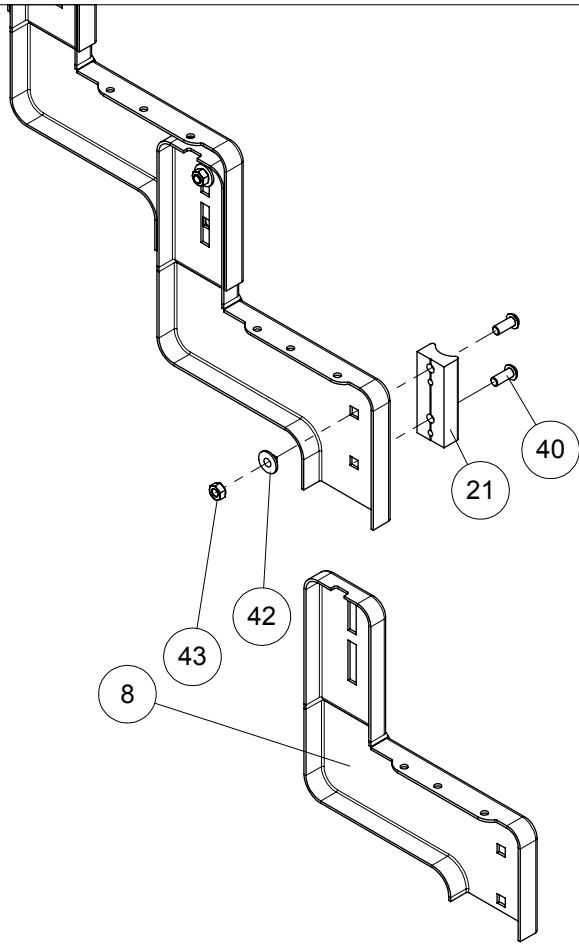






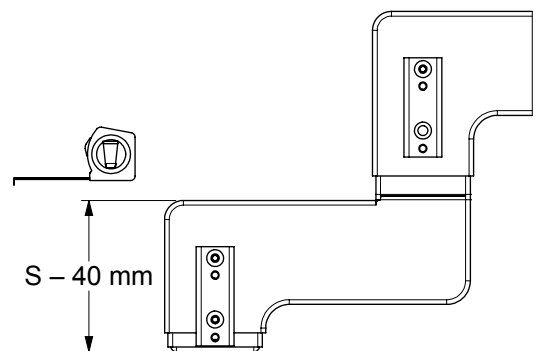
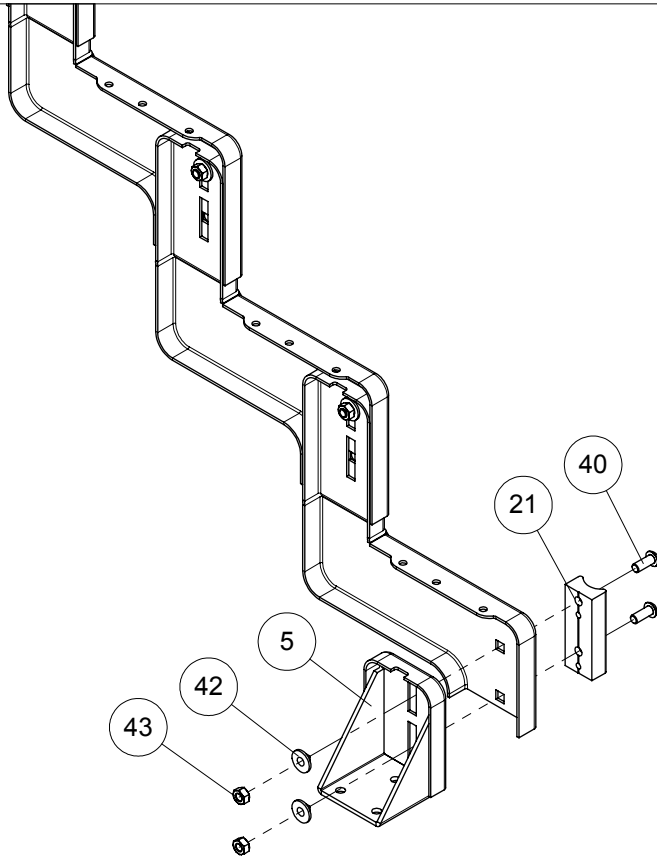
43

B



44

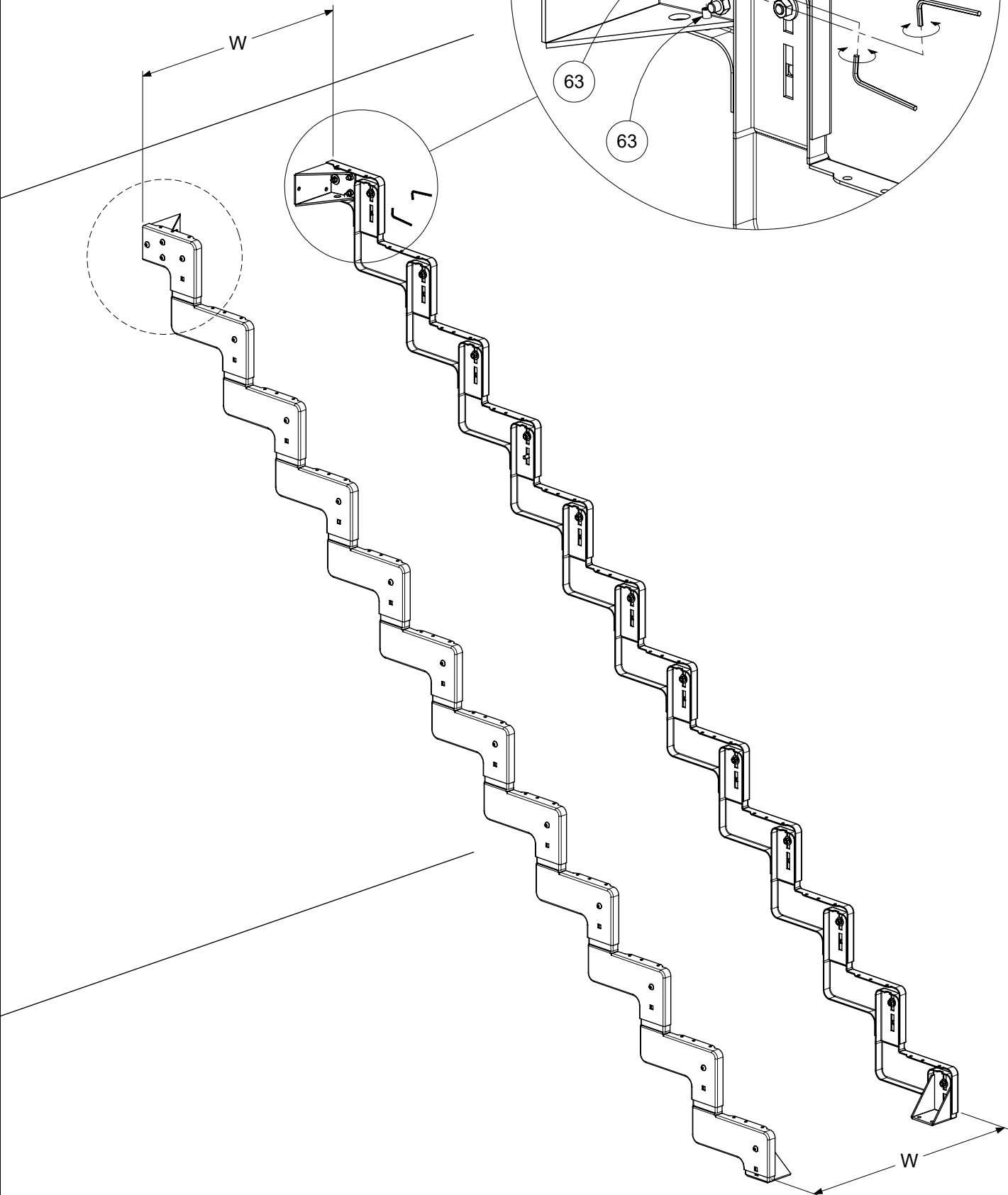
B

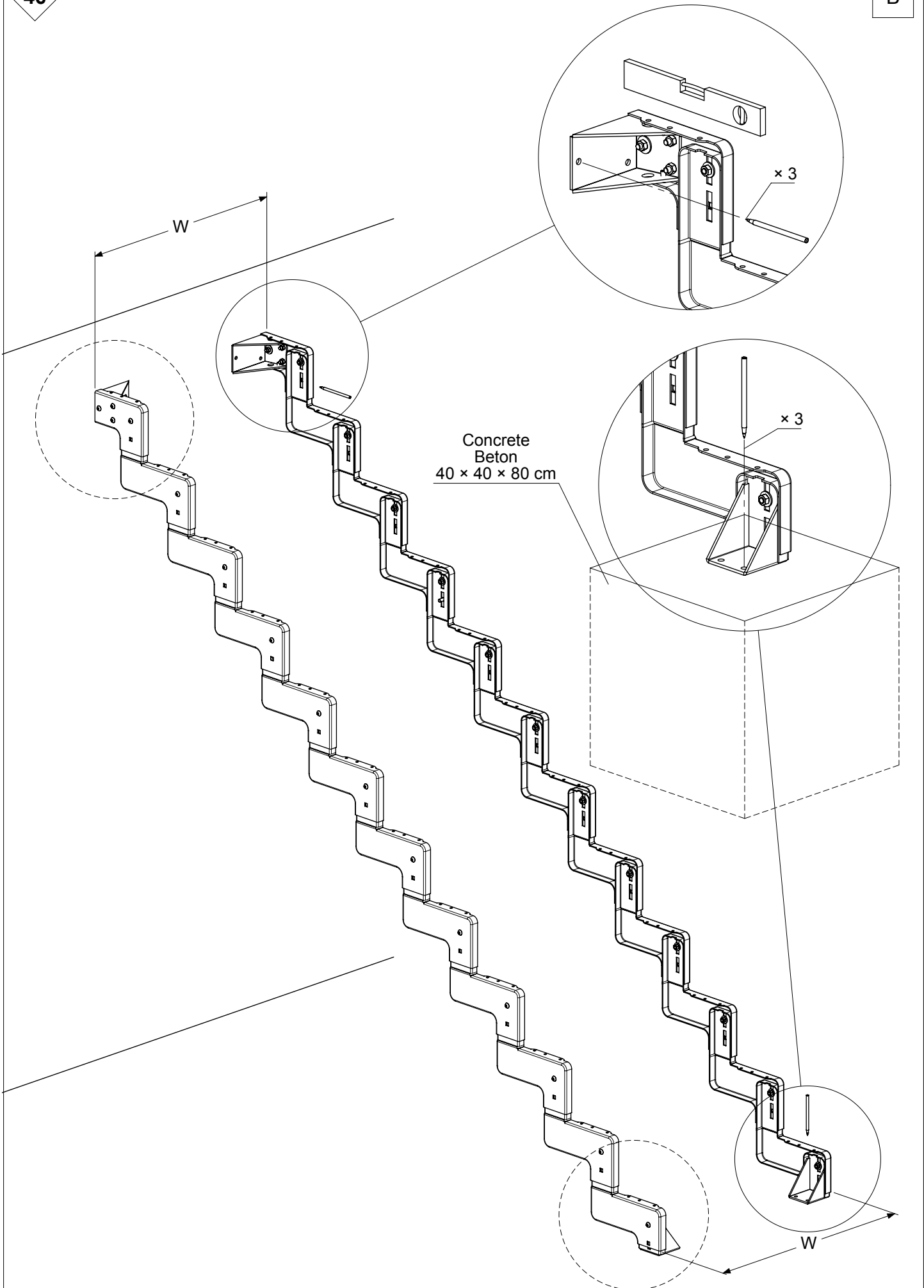


45

B

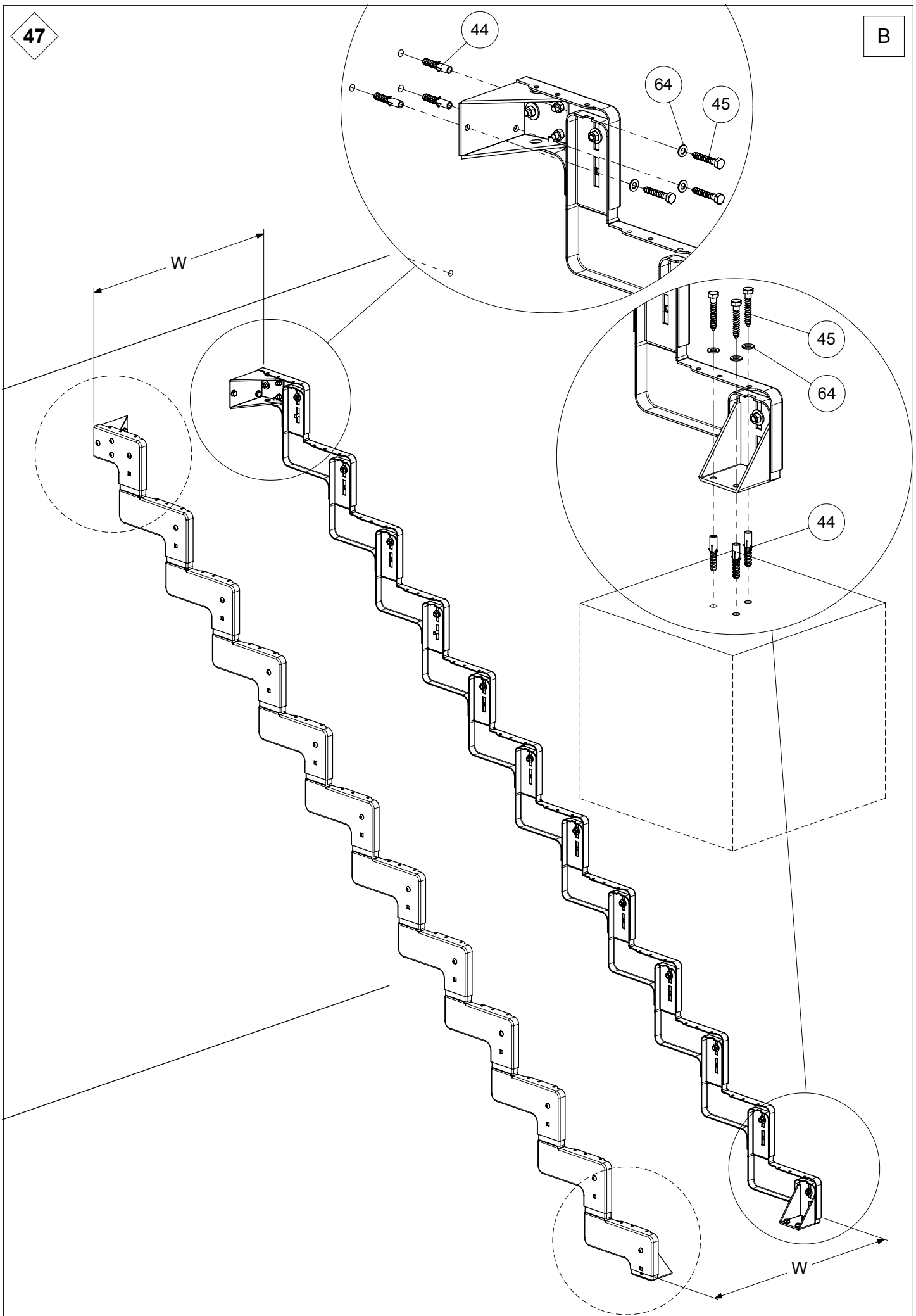
| Stufe / Step | W |
|--------------|---------|
| 80 cm | 803 mm |
| 100 cm | 1003 mm |

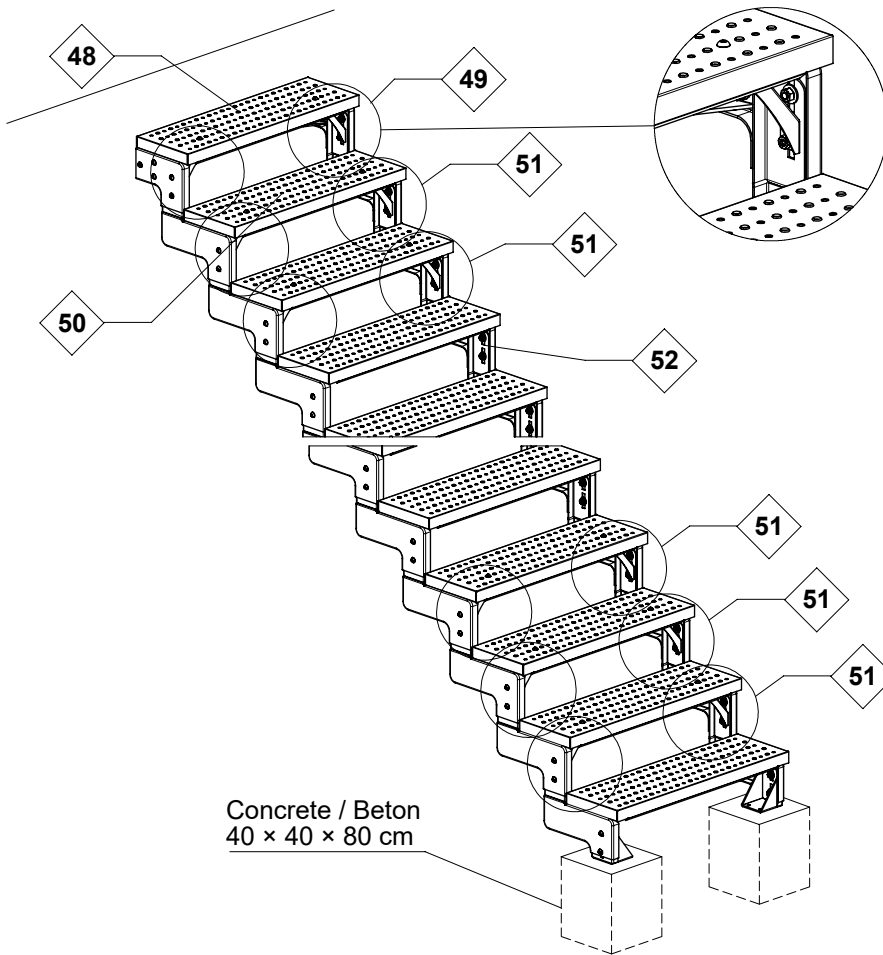





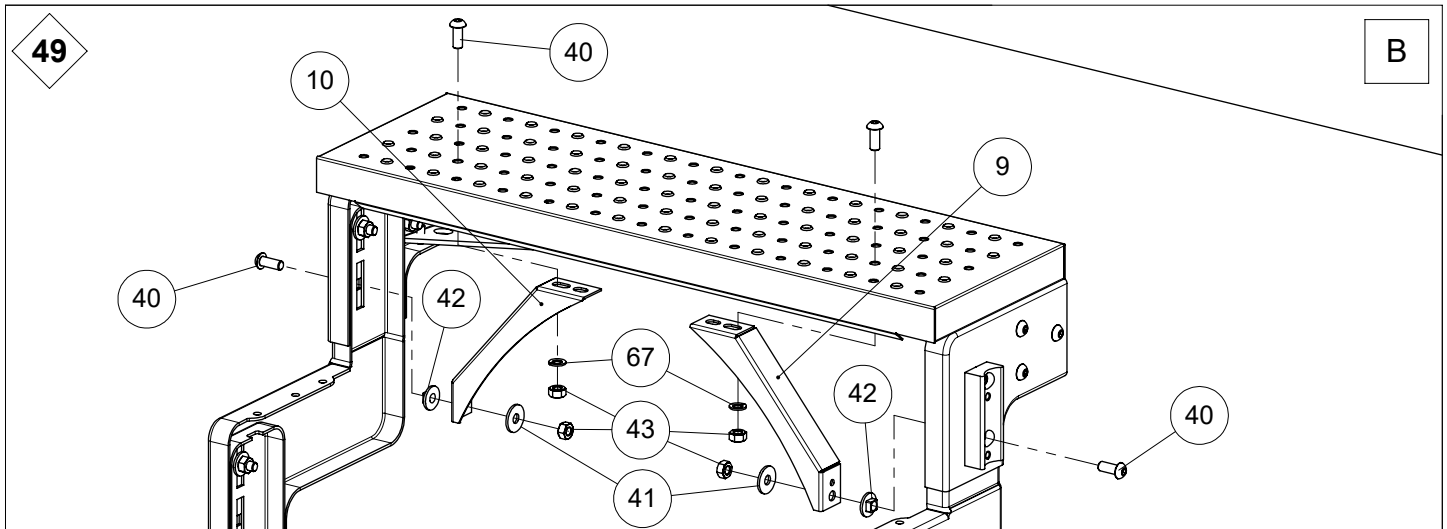
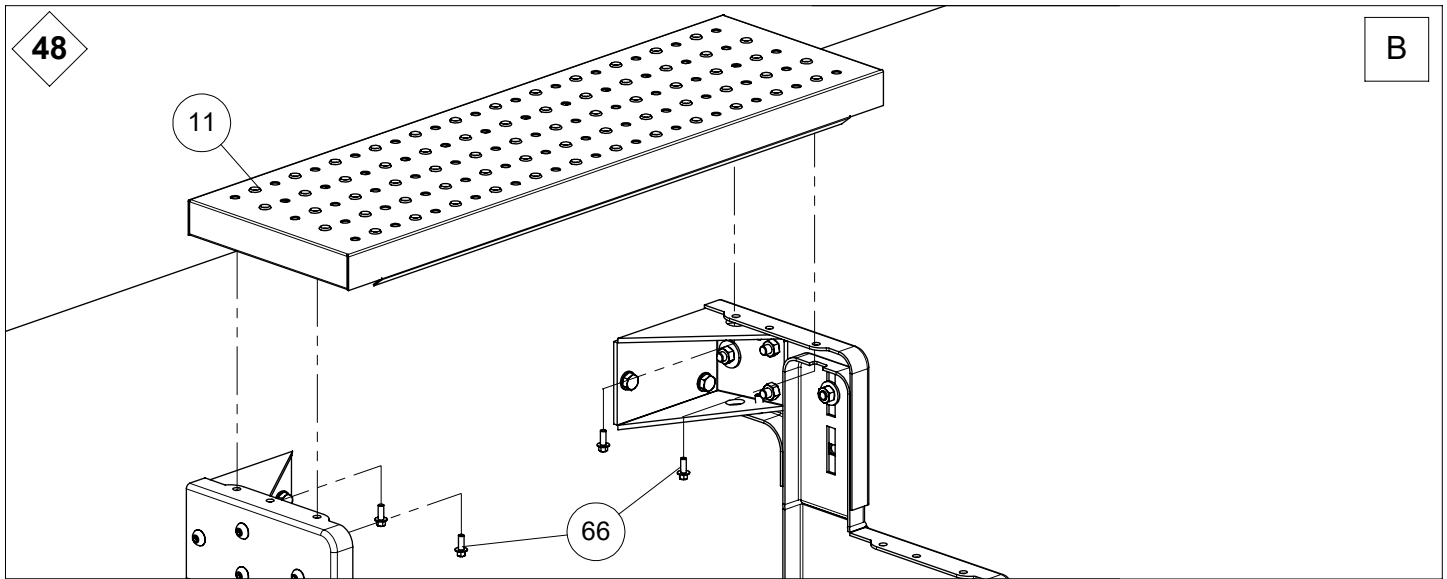
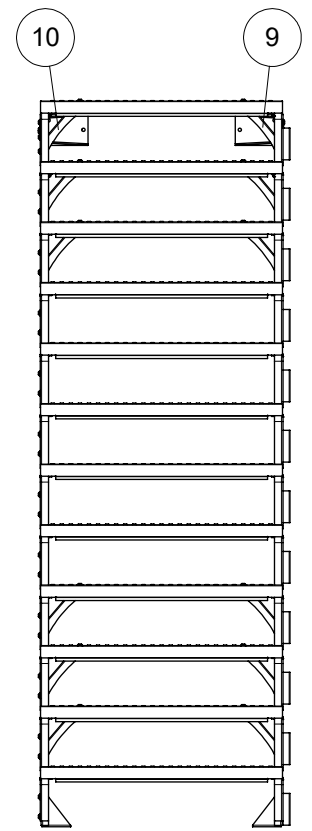
47

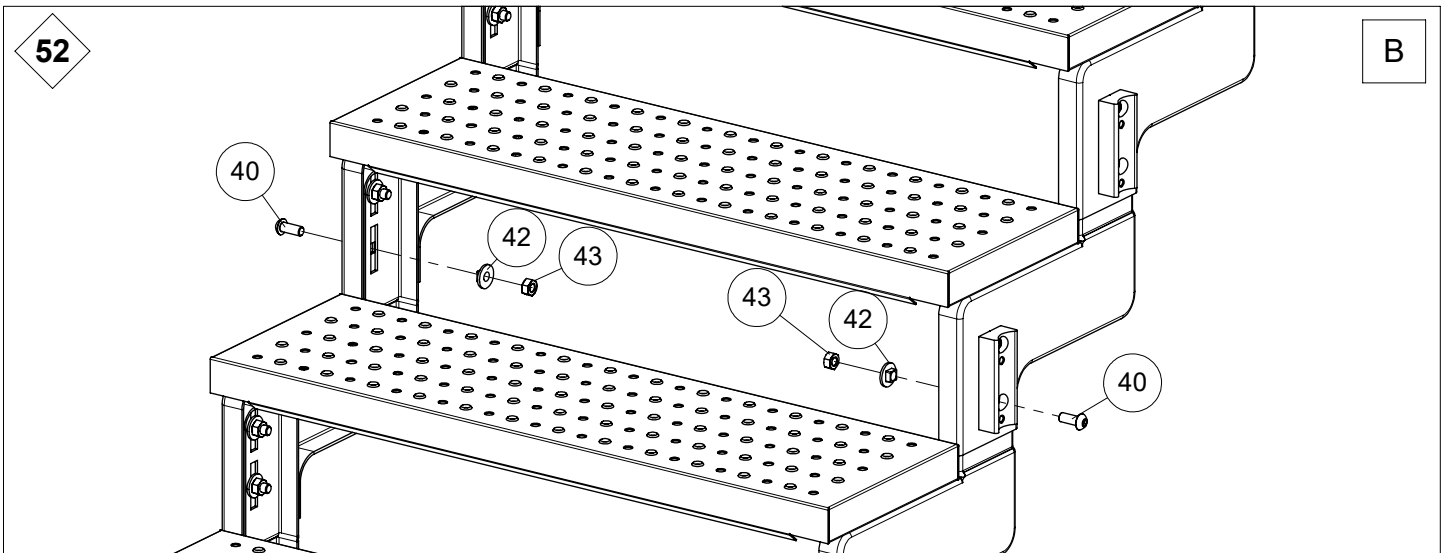
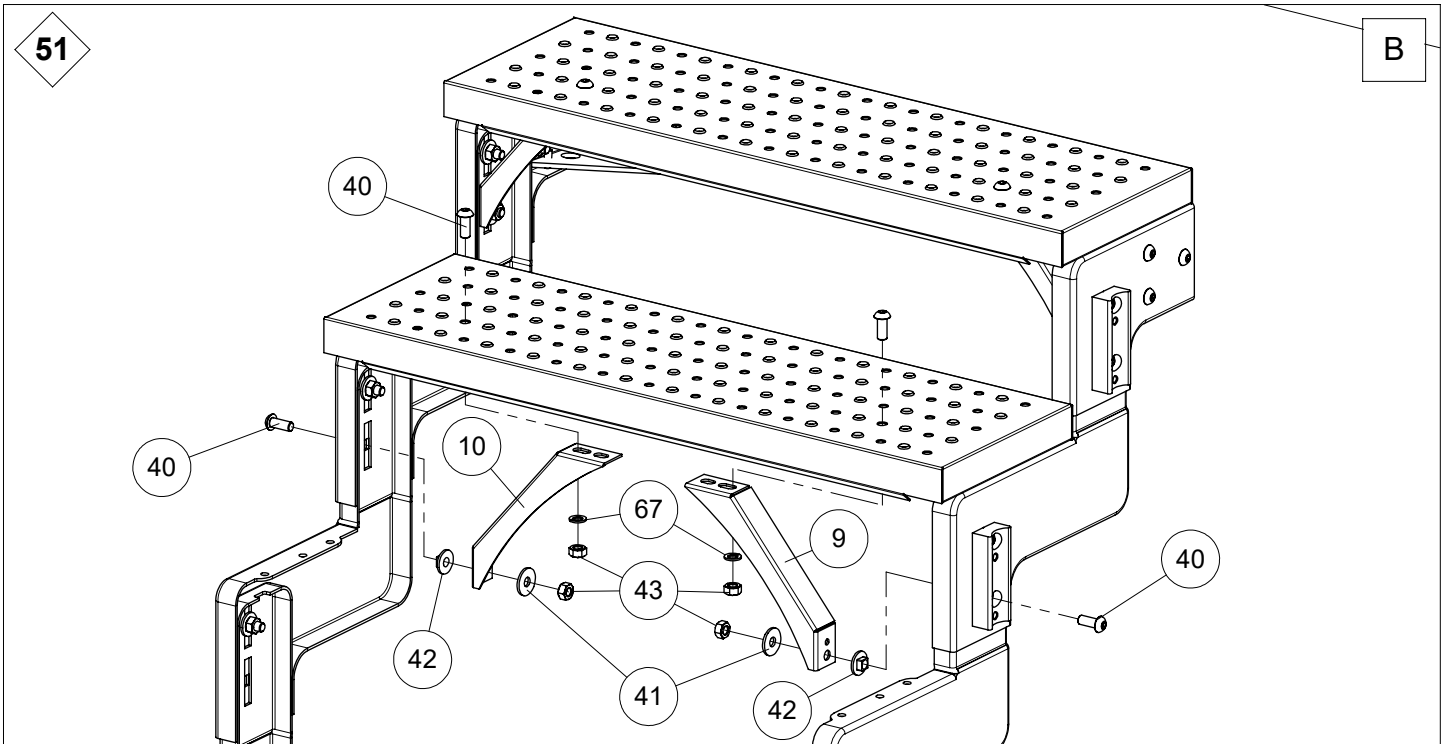
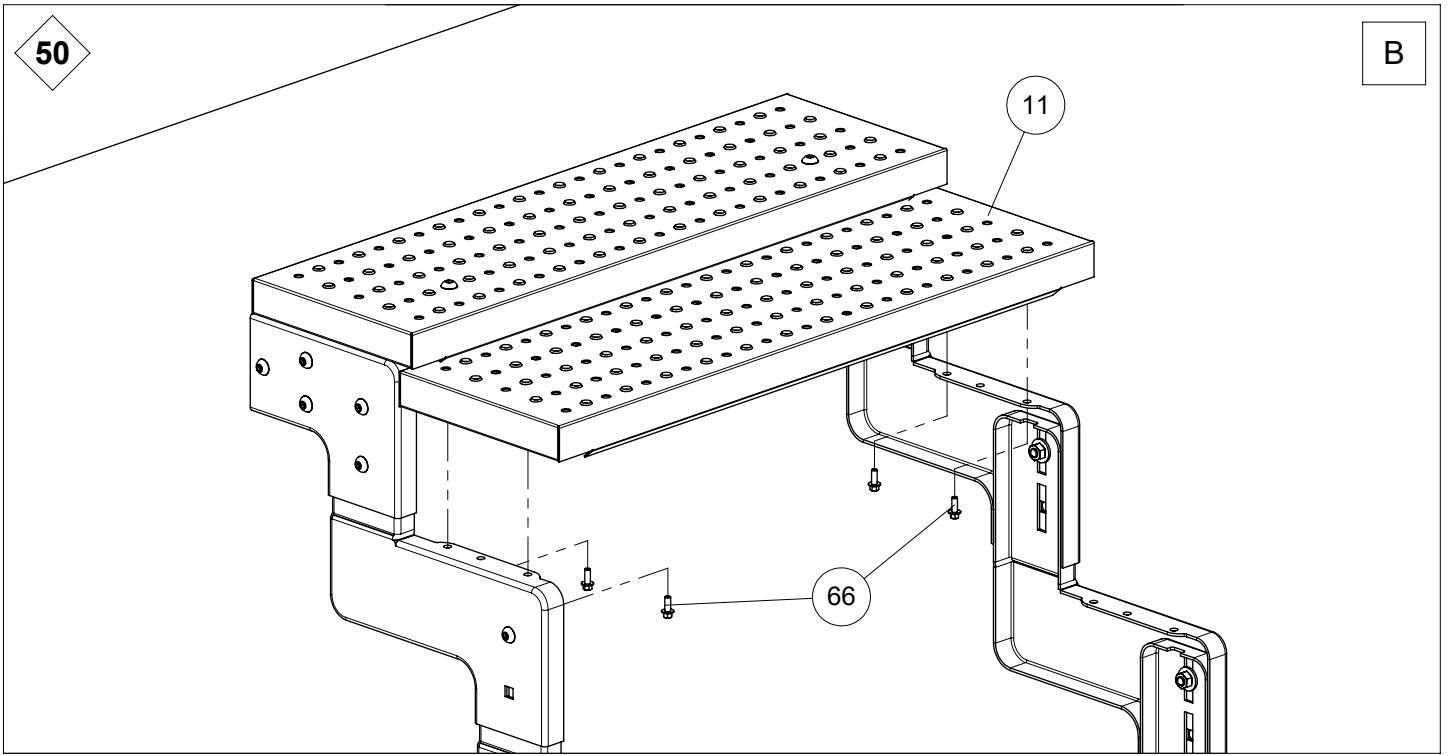
B

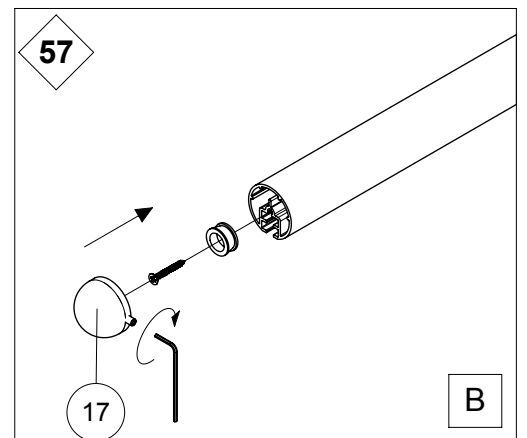
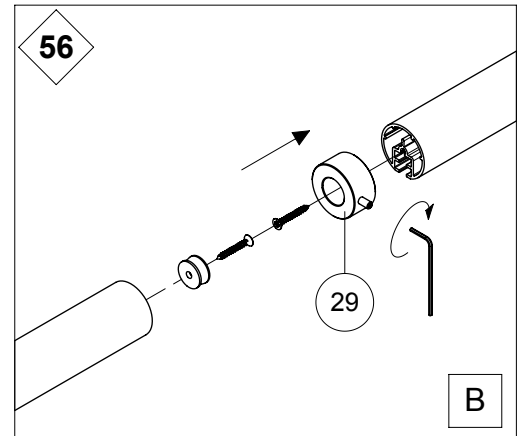
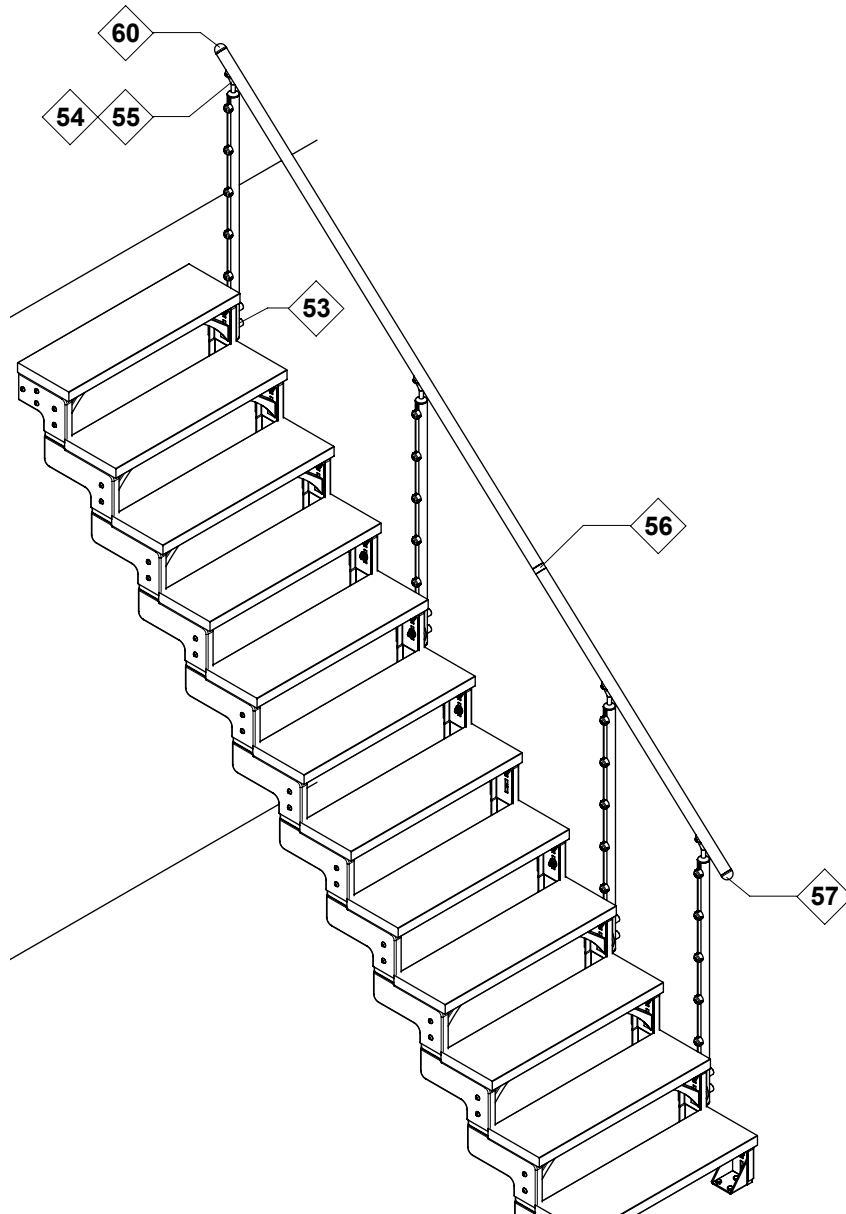
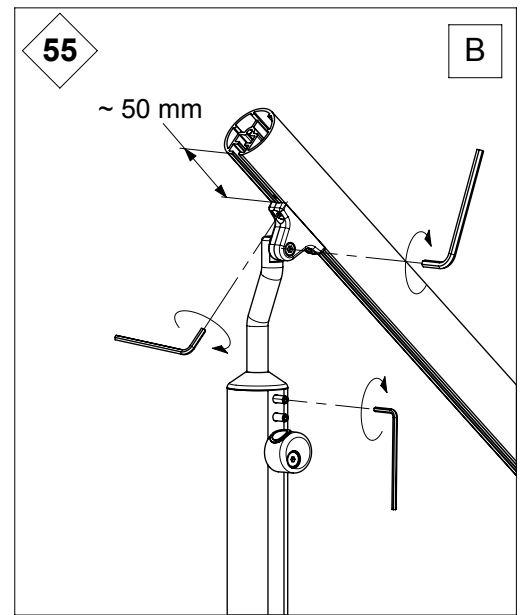
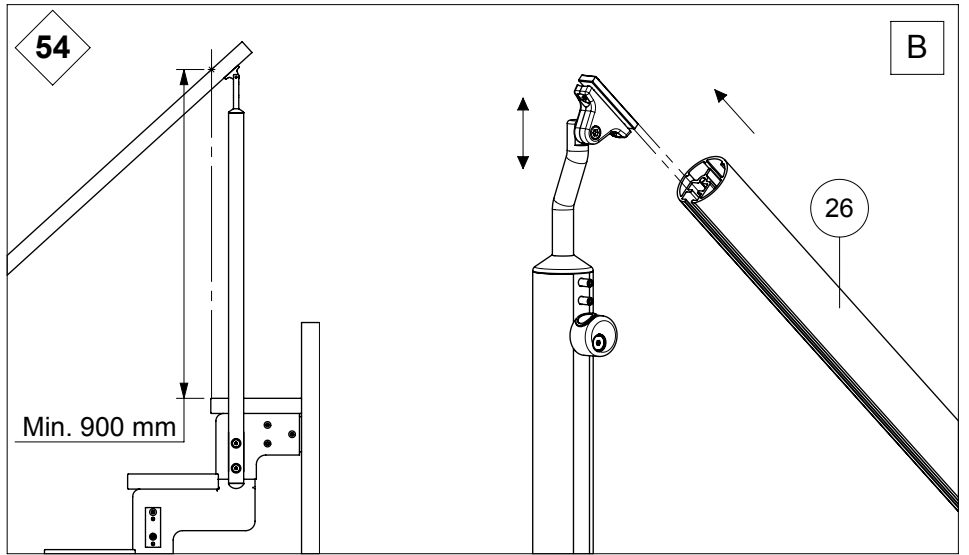
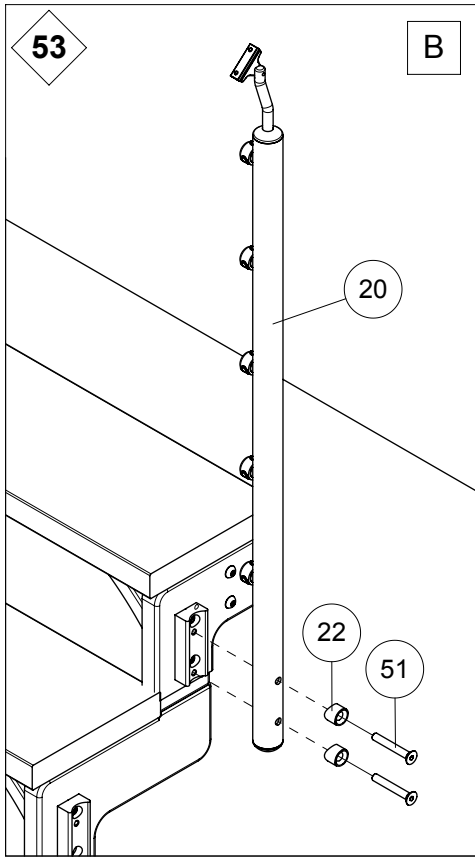


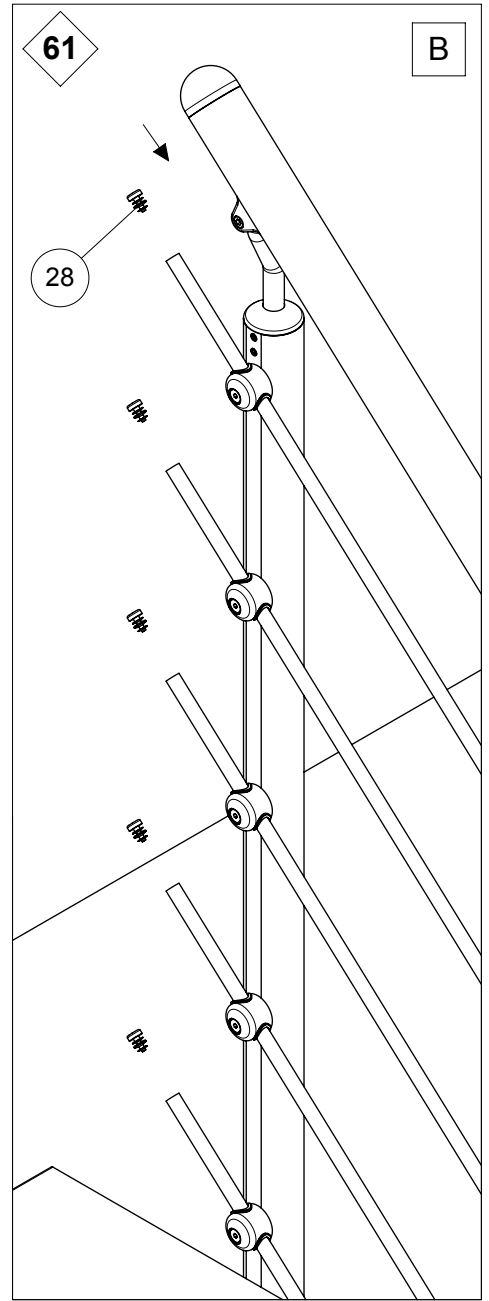
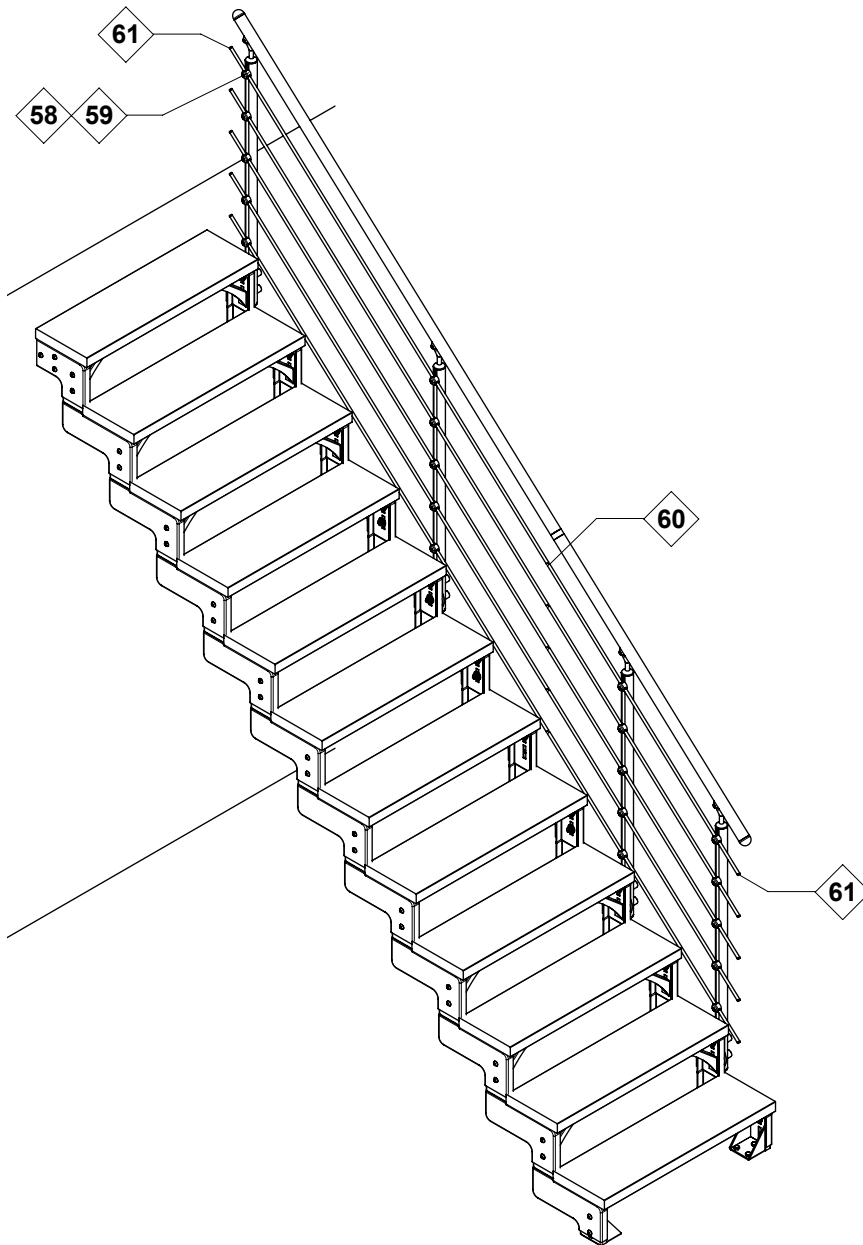
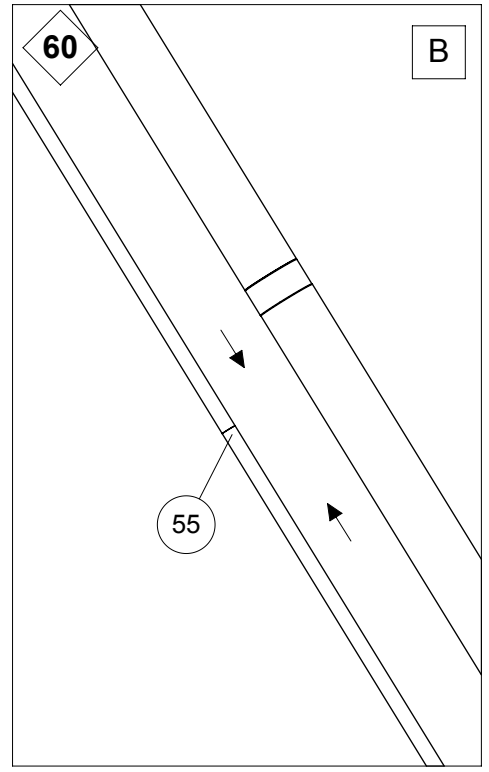
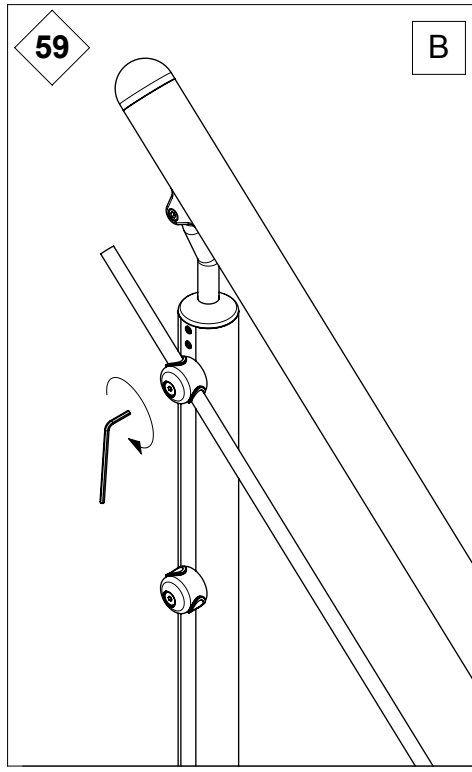
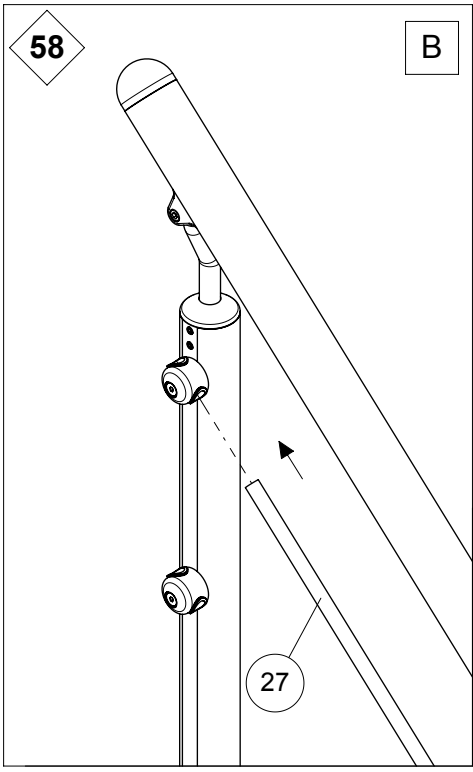



 If more than
6 steps:
Add
 (10) + (9)
 Wenn mehr als
6 Stufen:
 (10) + (9)
 hinzufügen





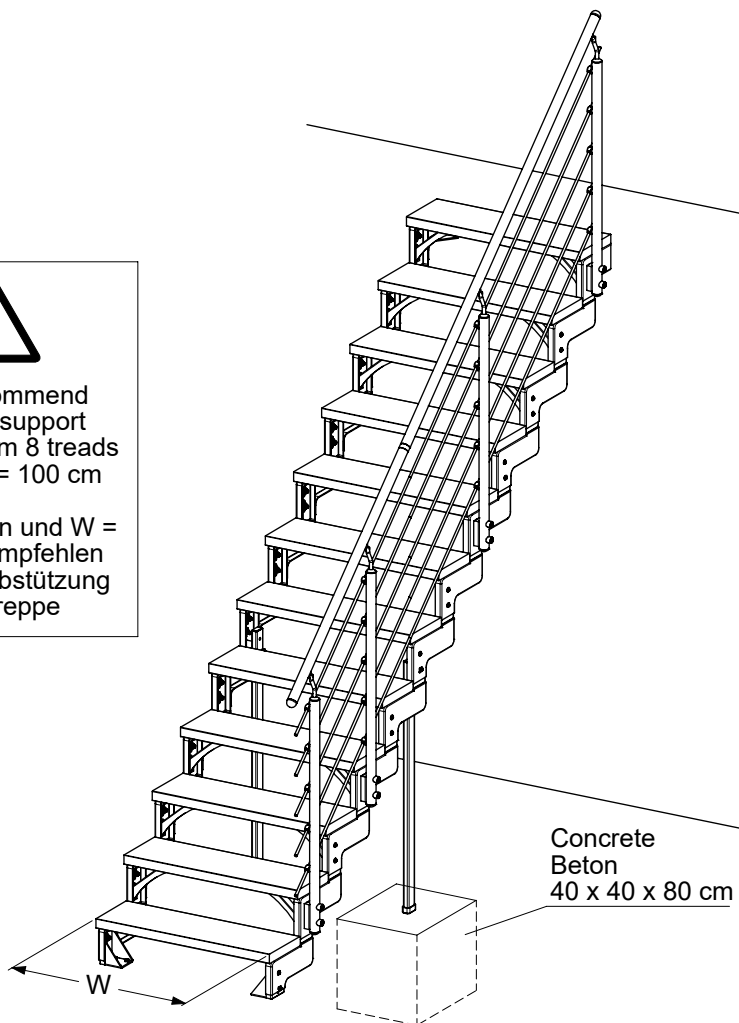






We recommend
using a support
column from 8 treads
and if $W = 100$ cm

Ab 8 Stufen und $W =$
100 cm empfehlen
wir eine Abstützung
der Treppe



Concrete
Beton
40 x 40 x 80 cm