



ELECTRIC SCISSOR LIFT

SS0407E / SS0507E / SS0607E
(SS1230E / SS1432E / SS1932E)

HIGHLIGHTS

LGMG SS Series scissor lifts offer an ideal solution for the low-level access and tight restricted application job sites. Shorter overall machine length and lighter weight makes it suitable for most elevators.

- Battery powered, zero emission and quiet drive mean this machine is environmentally friendly.
- Efficient electric drive system provides longer-lasting performance and better gradeability.
- The zero turning radius and the light weight make this machine ideal for space restricted conditions, providing exceptional maneuverability.
- Exceptional waterproofed drive system design provides excellent performance in wet conditions.
- Commonality of control system with other electric scissor lifts.



LGMG SS Series

SPECIFICATIONS

MODELS	SS0407E (SS1230E)		SS0507E (SS1432E)		SS0607E (SS1932E)	
Measurements	Metric	US	Metric	US	Metric	US
Working Height Max.	5.6m	18.4ft	6.3m	20.7ft	7.5m	24.6ft
A Platform Height-Raised	3.6m	11.8ft	4.3m	14.1ft	5.5m	18ft
B Platform Height-Stowed	0.95m	3.1ft	1.04m	3.4ft	1.17m	3.8ft
C Platform Length	1.35m	4.4ft	1.35m	4.4ft	1.35m	4.4ft
D Platform Width	0.7m	2.3ft	0.7m	2.3ft	0.7m	2.3ft
E Overall Length(with ladder)	1.53m	5ft	1.53m	5ft	1.53m	5ft
F Overall Width	0.76m	2.5ft	0.81m	2.65ft	0.81m	2.65ft
G Overall Height-Rails Up	2.06m	6.8ft	2.15m	7.1ft	2.275m	7.46ft
Overall Height-Rails Down	1.82m	6ft	1.9m	6.2ft	2m	6.56ft
H Extension Deck	0.6m	2ft	0.6m	2ft	0.6m	2ft
I Wheelbase	1.12m	44.1in	1.12m	44.1in	1.12m	44.1in
Ground Clearance(Stowed/Raised)	50/16mm	1.97/0.63in	50/16mm	1.97/0.63in	50/16mm	1.97/0.63in

PRODUCTIVITY

Platform Occupants Max. (in/out)	2/1		2/1		2/0	
Platform Capacity	240 kg	530 lbs	230 kg	510 lbs	230 kg	510 lbs
Platform Capacity-Extension	113 kg	249 lbs	113 kg	249 lbs	113 kg	249 lbs
Drive Height	Full Height					
Gradeability-Stowed	25 %					
Turning Radius-Inside	0					
Turning Radius-Outside	1.5m	4.9ft	1.5m	4.9ft	1.5m	4.9ft
Raise/Lower Speed	25/20 s		25/20 s		32/27 s	
Brakes	Front-wheel Brake					
Drive Mode	4×2					
Tires Type	Solid Non-marking					
Tires Size	230×80mm	9.1×3.1in	230×80mm	9.1×3.1in	230×80mm	9.1×3.1in

POWER

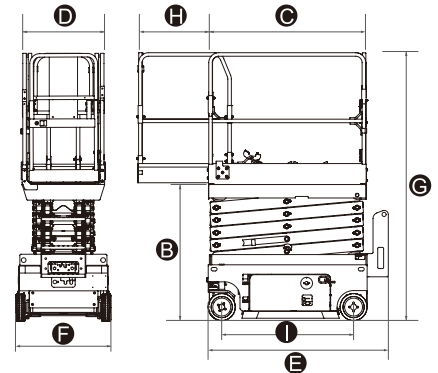
Power Source	24V DC 115Ah	24V DC 150Ah	24V DC 150Ah
--------------	--------------	--------------	--------------

HYDRAULIC SYSTEM

Hydraulic Oil Capacity	4.5L	1gal	4.5L	1gal	4.5L	1gal
------------------------	------	------	------	------	------	------

WEIGHT

Machine Weight(CE/ANSI)	880 kg	1940 lbs	985 kg	2172 lbs	1335 kg	2866 lbs
-------------------------	--------	----------	--------	----------	---------	----------



STANDARD FEATURES

- Proportional control
- Foldable guardrail
- Emergency stop device
- Manual brake release
- Emergency descent
- Swing-out component tray
- Pothole guard
- Self-lock entry gate
- Tilt alarm with lift cut-out
- Overload sensing system
- Descent alarm with flashing beacon
- Horn/hour meter
- All motions alarm
- Full-height drive
- Intelligent diagnostic system

OPTIONAL

- AC power to platform
- Maintenance-free battery
- Platform anti-collision device
- Air tube to platform
- Foot switch*
- Limit driving when lifting*
- GPS

(Note: * Standard for South Korean and Japanese models)

Machines in compliant with EN280 / ANSI 92.20 Standard.

Specifications subject to change without notice. Photos and diagrams in the page are for promotional purposes only.
2020 V1 Version

LINGONG GROUP JINAN HEAVY MACHINERY CO., LTD.

Address: No. 2676, Kejia Road, Jinan, Shandong, China
Email: sales@lgmg.com.cn Tel: +86-0531-67879283

LGMG Europe B.V.

Address: Laanweg 16 3208LC Spijkenisse Rotterdam, The Netherlands

LGMG North America, Inc.

Address: 1445 Sheffler Dr, Chambersburg, PA. 17201, USA



RELIABILITY IN ACTION