


MONTREAL

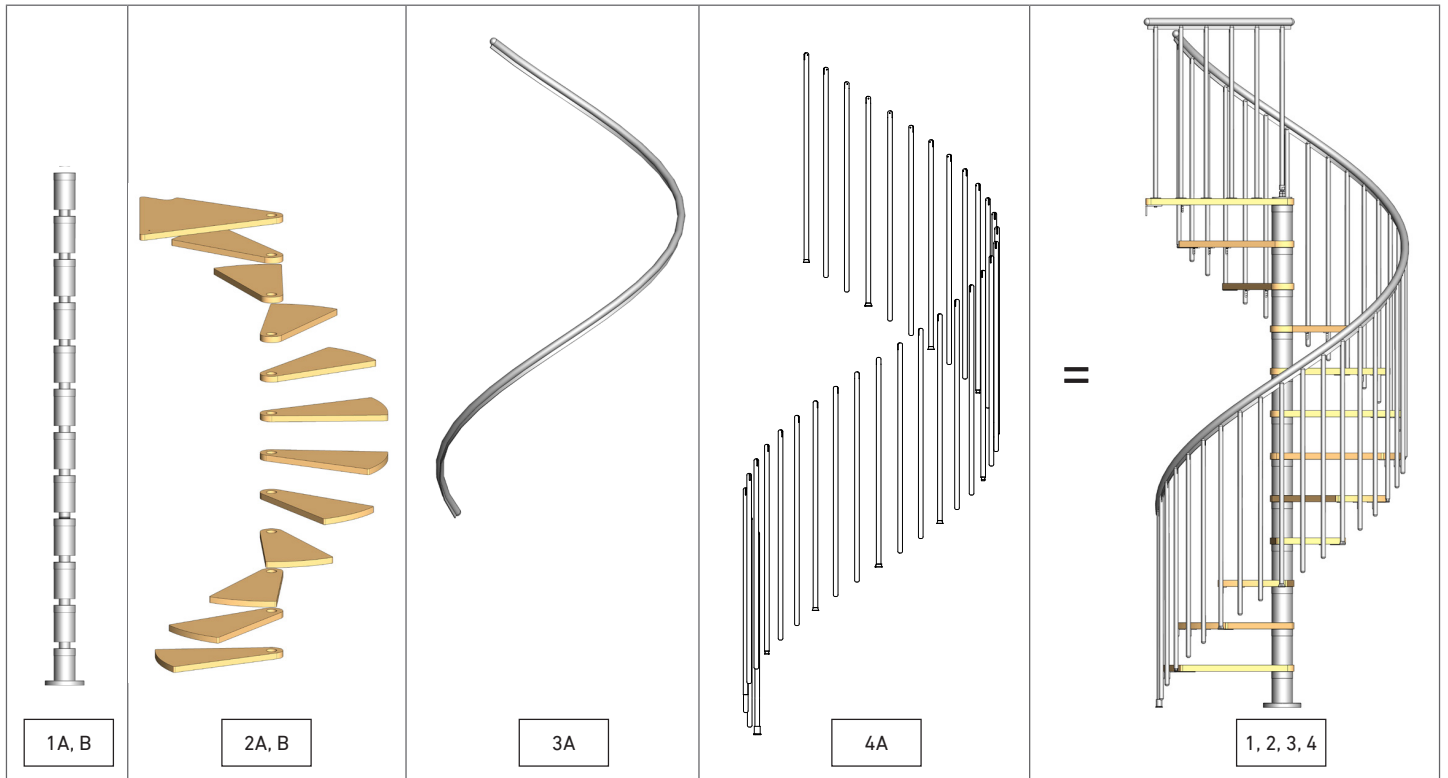
Montréal **1A** → 1A, 1B, 2A, 2B, 3A, 4A ect.

71200 AL

Center Column, grey
Center Konstruktion, 12 Steigungen, grau
Colonne centrale, gris



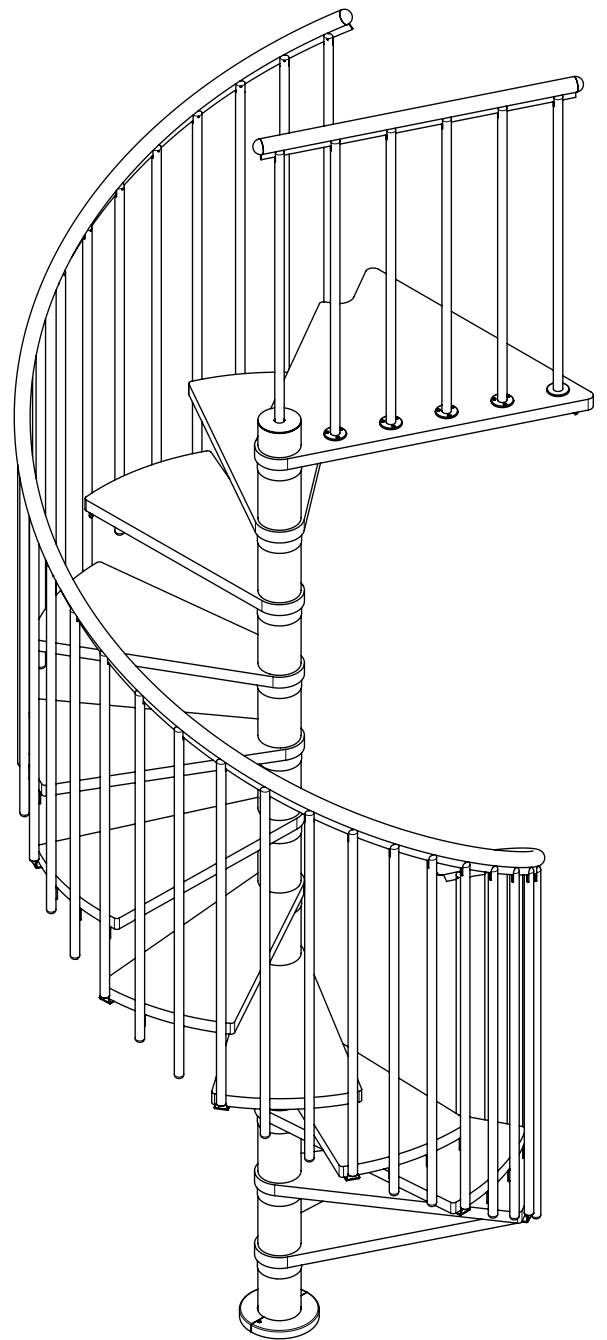
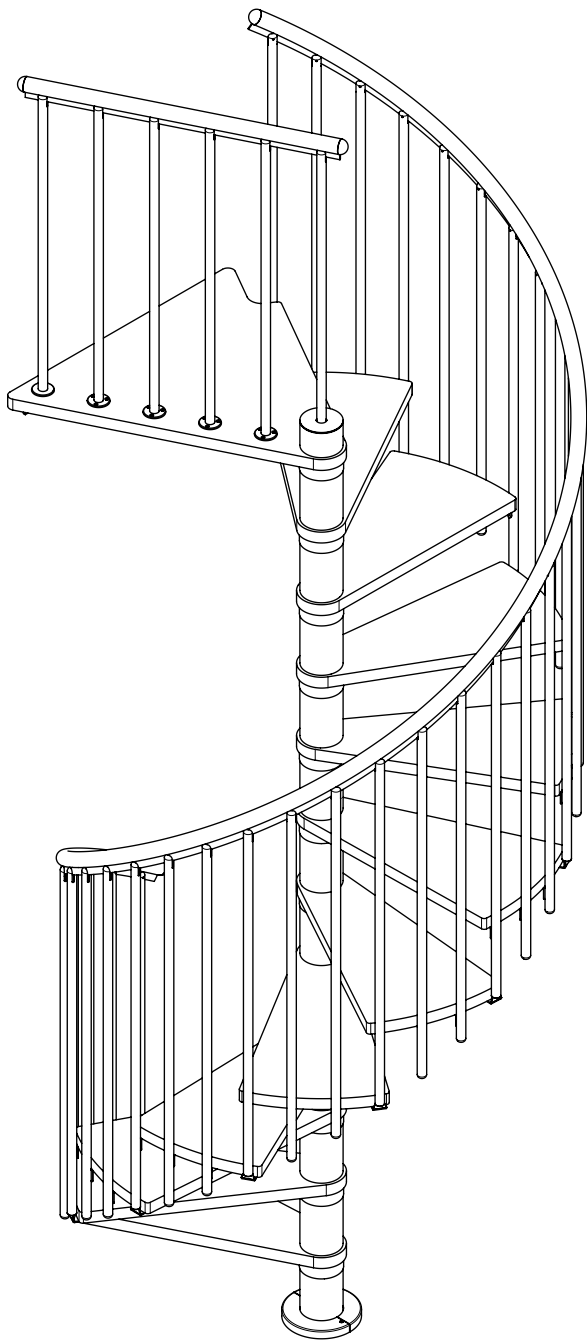
5 708580 712003

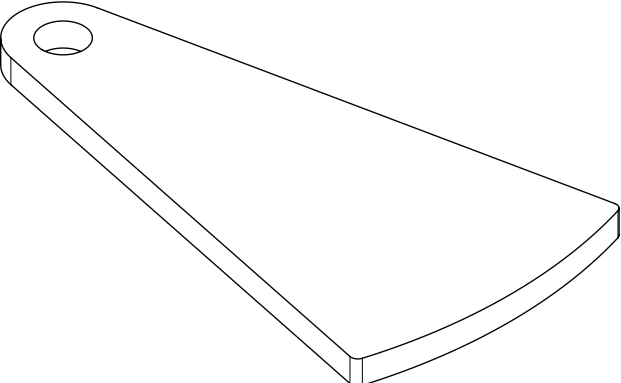

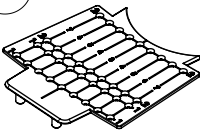
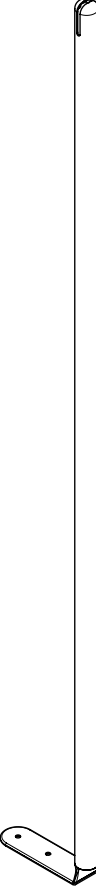


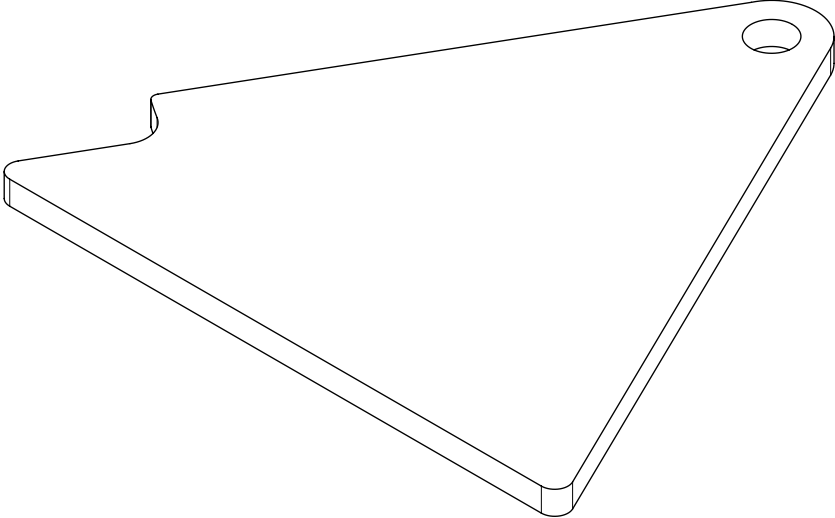



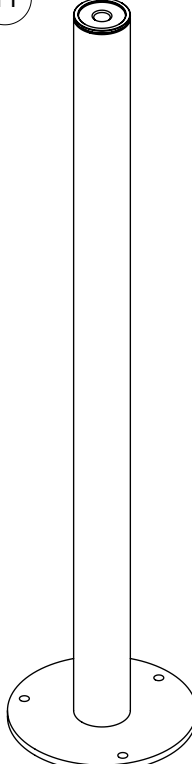




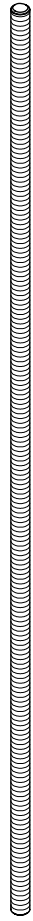
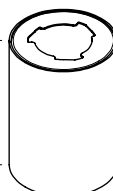
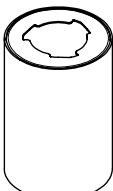
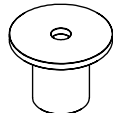
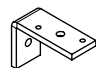
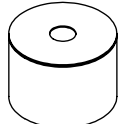
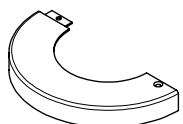

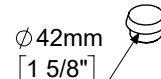
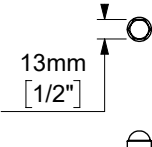
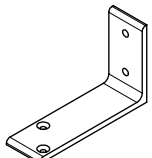
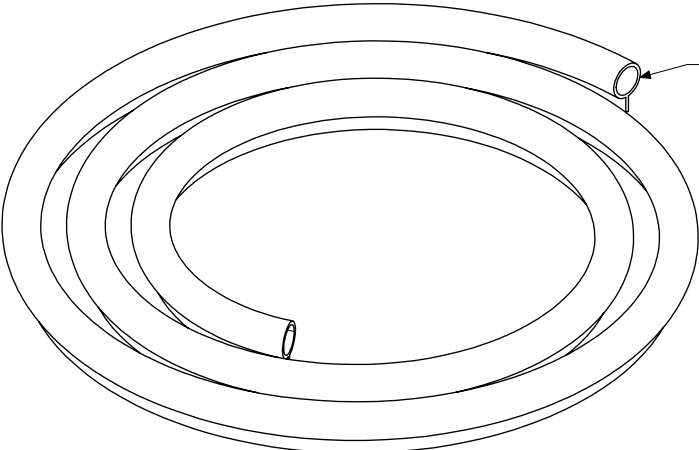
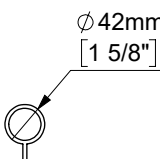
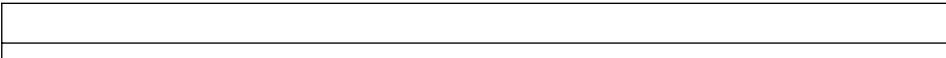

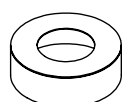
No / Non / Nej =




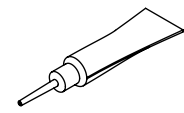













MONTREAL

Classic 3/4/5

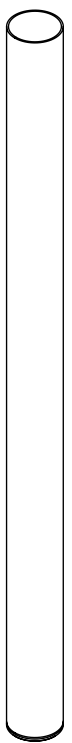


<p>1</p> 	<p>3</p>  <p>K1-71231 RAL 9006 K1-71431 RAL 7016 K1-71631 RAL 9016</p> <p>4</p>  <p>K1-71030</p>	<p>5</p> 	<p>6</p>  <p>K1-71220 RAL 9006 K1-71420 RAL 7016 K1-71620 RAL 9016</p> <p>7</p>  <p>K1-71230 RAL 9006 K1-71430 RAL 7016 K1-71630 RAL 9016</p> <p>K1-32224 RAL 9006 K1-71421 RAL 7016 K1-32424 RAL 9016</p>
<p>2</p> 		<p>8</p>  <p>K2-71260 RAL 9006 K2-71460 RAL 7016 K2-71660 RAL 9016</p> <p>9</p>  <p>K2-71250 RAL 9006 K2-71450 RAL 7016 K2-71650 RAL 9016</p> <p>10</p>  <p>K2-71240 RAL 9006 K2-71440 RAL 7016 K2-71640 RAL 9016</p> <p>11</p>  <p>K2-71010</p> <p>12</p>  <p>K2-71012</p> <p>13</p>  <p>K1-71000</p>	

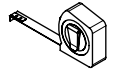
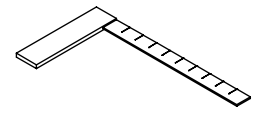
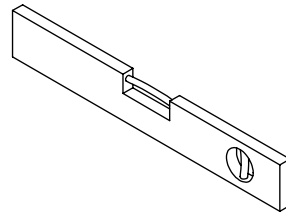
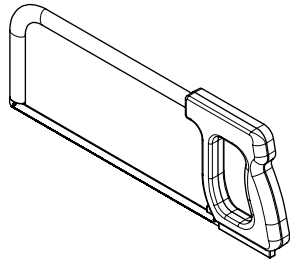
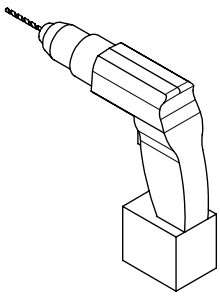
<p>14</p>  <p>K3-07023 M20 x 1170mm [46 1/16"]</p>	<p>15</p>  <p>161mm [6 5/16"]</p> <p>K2-71210 RAL 9006 K2-71410 RAL 7016 K2-71610 RAL 9016</p>	<p>16</p>  <p>169mm [6 5/8"]</p> <p>K2-71211 RAL 9006 K2-71411 RAL 7016 K2-71611 RAL 9016</p>	<p>17</p>  <p>K2-71005</p>	<p>18</p>  <p>K1-71201 RAL 9006 K1-71401 RAL 7016 K1-71601 RAL 9016</p>	<p>19</p>  <p>K2-71215 RAL 9006 K2-71415 RAL 7016 K2-71615 RAL 9016</p>
	<p>20</p>  <p>K2-71200 RAL 9006 K2-71400 RAL 7016 K2-71600 RAL 9016</p>	<p>21</p>  <p>Ø 42mm [1 5/8"]</p> <p>K1-71290 RAL 9006 K1-39010 RAL 7016 K1-29486 RAL 9016</p>	<p>22</p>  <p>Ø 42mm [1 5/8"]</p> <p>K1-39000</p>	<p>23</p>  <p>13mm [1/2"]</p> <p>K1-01013 RAL 9006 K1-01023 RAL 7016 K1-01003 RAL 9016</p>	<p>24</p>  <p>K1-19310 RAL 9006 K1-71402 RAL 7016 K1-71602 RAL 9016</p>
	<p>25</p>  <p>Ø 42mm [1 5/8"]</p>		<p>K1-71295 5000mm - RAL 9006 [196 7/8"]</p> <p>K1-71297 7000mm - RAL 9006 [275 9/16"]</p> <p>K1-71495 5000mm - RAL 7016 [196 7/8"]</p> <p>K1-71497 7000mm - RAL 7016 [275 9/16"]</p> <p>K1-71695 5000mm - RAL 9016 [196 7/8"]</p> <p>K1-71697 7000mm - RAL 9016 [275 9/16"]</p>		
<p>26</p>  <p>Ø 42mm [1 5/8"]</p>  <p>K1-71291 1000mm - RAL 9006 [39 3/8"]</p> <p>K1-71299 1150mm - RAL 9006 [45 1/4"]</p> <p>K1-39110 1000mm - RAL 7016 [39 3/8"]</p> <p>K1-71499 1150mm - RAL 7016 [45 1/4"]</p> <p>K1-29410 1000mm - RAL 9016 [39 3/8"]</p> <p>K1-71699 1150mm - RAL 9016 [45 1/4"]</p>		<p>27</p>  <p>K1-71205 RAL 9006 K1-71405 RAL 7016 K1-71605 RAL 9016</p>			
<p>30</p>  <p>K1-71219 RAL 9006 K1-71419 RAL 7016 K1-71619 RAL 9016</p>					

<p>35</p>  <p>K1-71270 RAL 9006 K1-71470 RAL 7016 K1-71670 RAL 9016</p>	<p>50</p>  <p>K3-06022 RAL 9006 K3-10226 RAL 7016 K3-10126 RAL 9016 Ø5 x 35</p>	<p>51</p>  <p>K3-06199 RAL 9006 K3-10239 RAL 7016 K3-10139 RAL 9016 M5 x 20</p>	<p>52</p>  <p>K3-90001</p>	<p>53</p>  <p>K3-04028 Ø8,4</p>	<p>54</p>  <p>K3-08004 Ø10 x 60</p>	
	<p>55</p>  <p>K3-06015 M8 x 70</p>	<p>56</p>  <p>K3-03024 M20</p>	<p>57</p>  <p>K3-04020 Ø20</p>	<p>58</p>  <p>K3-08002 Ø8</p>	<p>59</p>  <p>K3-02131 RAL 9006 K3-10231 RAL 7016 K3-10131 RAL 9016 M4 x 10</p>	
	<p>60</p>  <p>K3-05013 RAL 9006 K3-10233 RAL 7016 K3-10133 RAL 9016 M6 x 6</p>	<p>61</p>  <p>K3-05011 RAL 9006 K3-10230 RAL 7016 K3-10130 RAL 9016 M5 x 20</p>	<p>62</p>  <p>K3-02081 M8 x 70</p>	<p>63</p>  <p>K3-03014 M20</p>	<p>69</p>  <p>R1-63272 Ø6 x 25</p>	
	<p>71</p>  <p>K3-06016 Ø6 x 40</p>					

40 **OPTION**



71091-AL



Torx 25



2,5mm

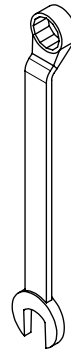


3mm

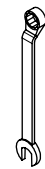


4mm

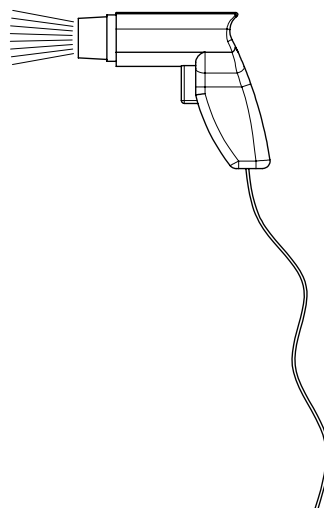
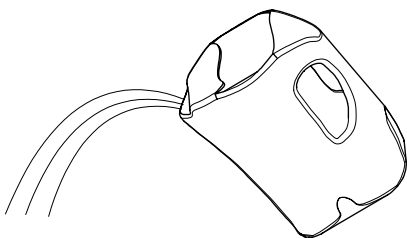
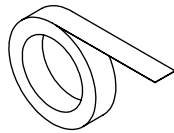
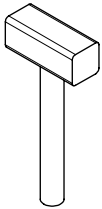
× 2

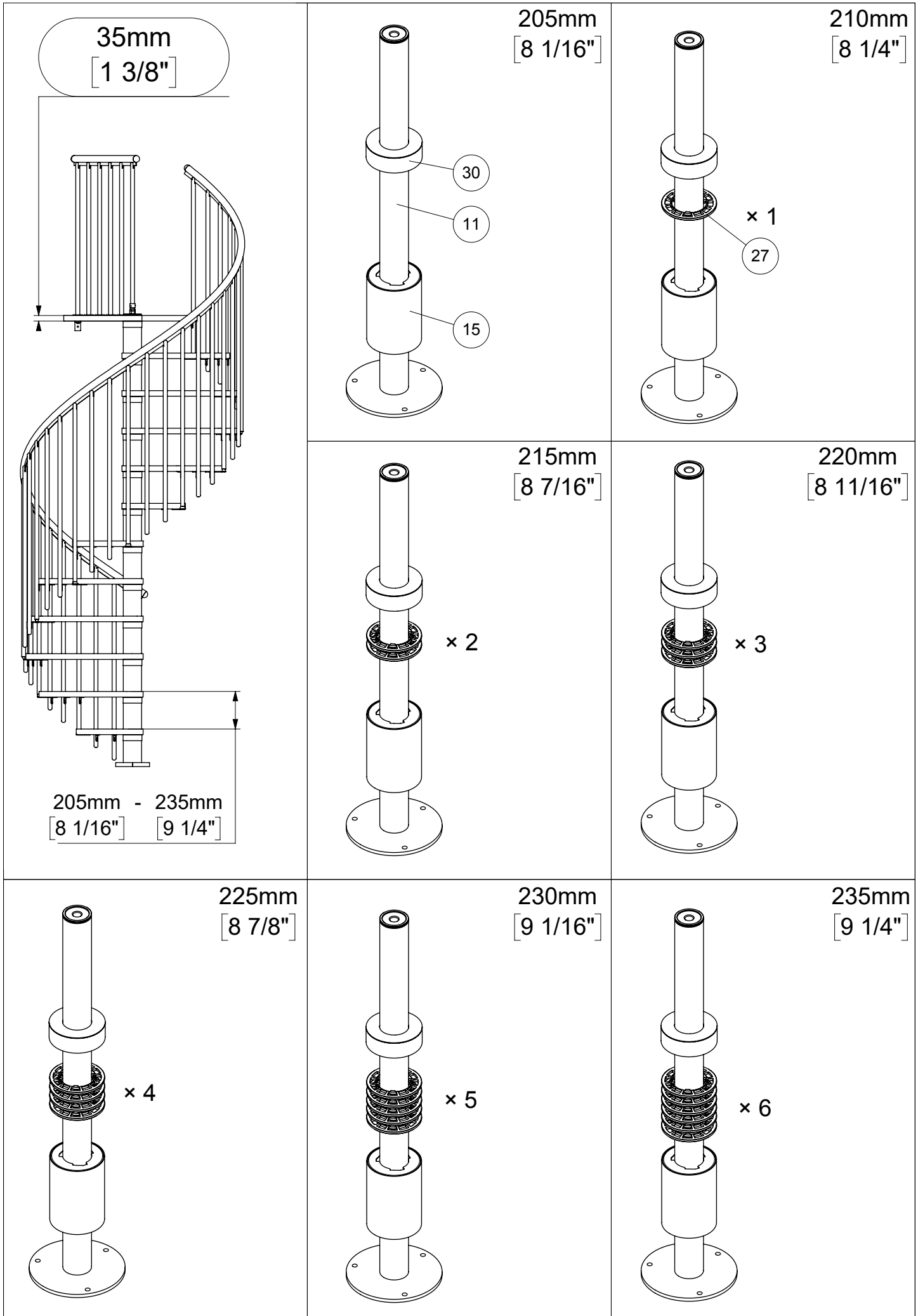


30mm



13mm





35mm
[1 3/8"]

205mm
[8 1/16"]

210mm
[8 1/4"]

215mm
[8 7/16"]

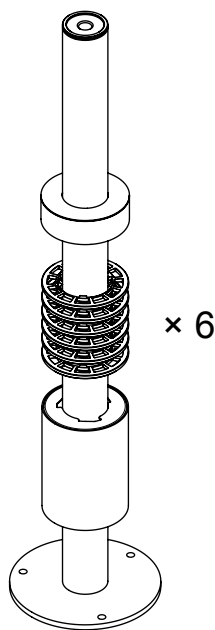
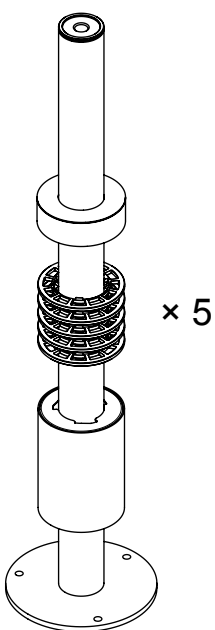
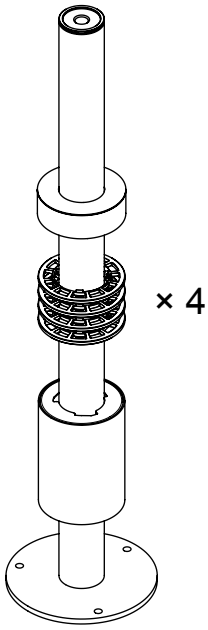
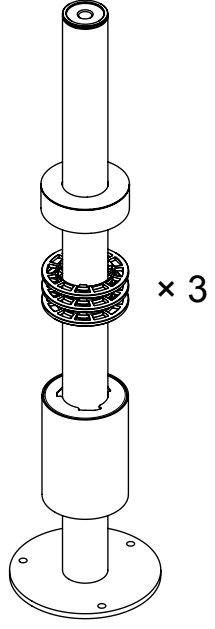
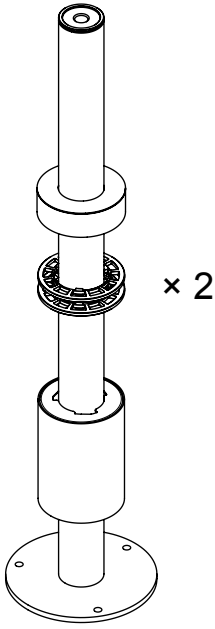
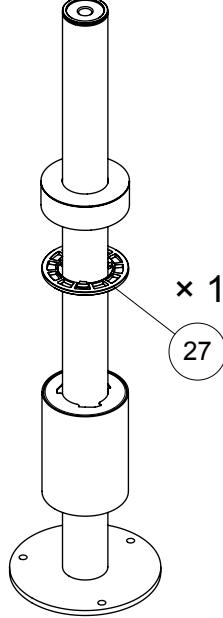
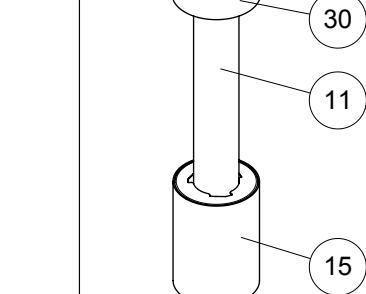
220mm
[8 11/16"]

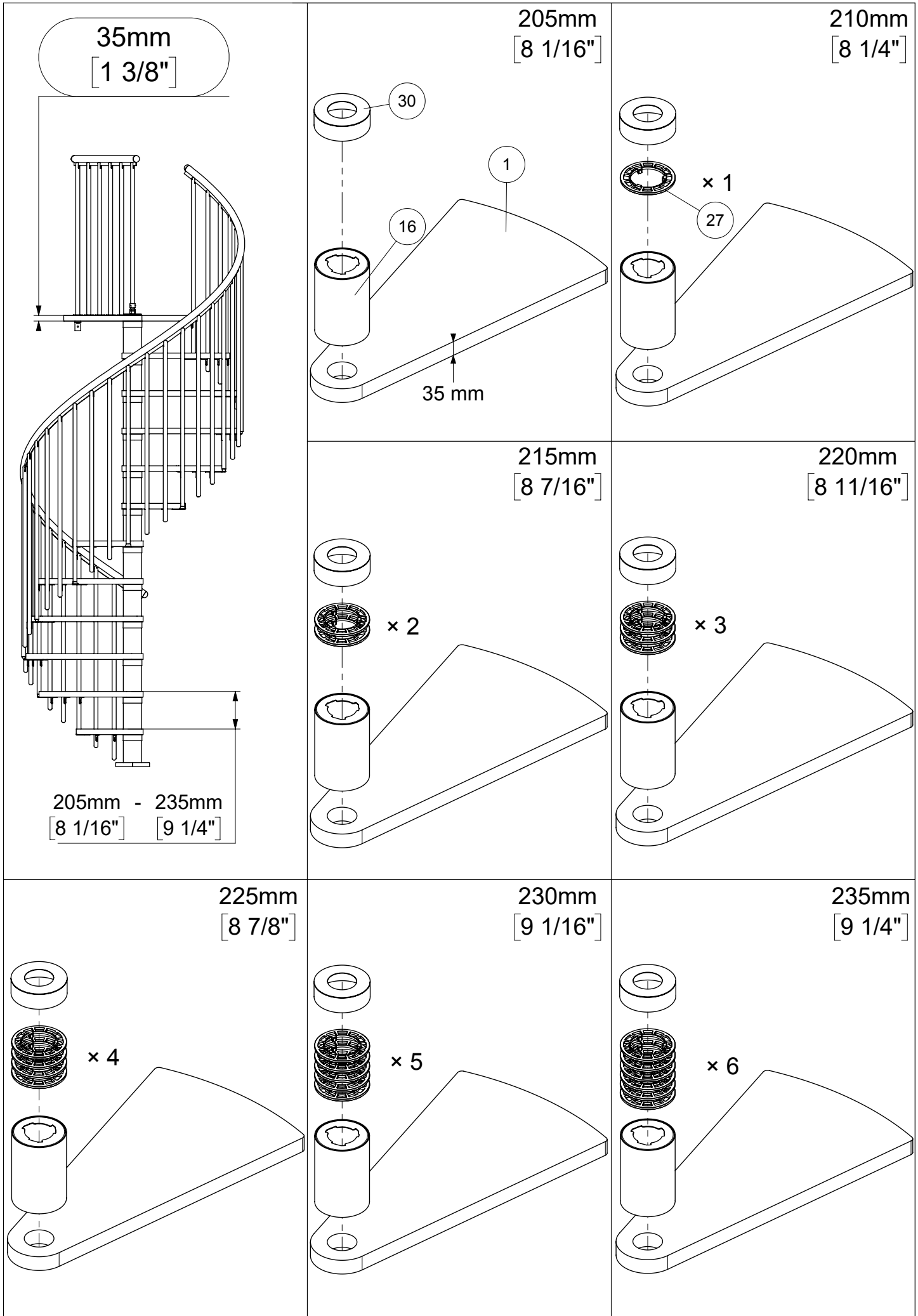
205mm - 235mm
[8 1/16"] [9 1/4"]

225mm
[8 7/8"]

230mm
[9 1/16"]

235mm
[9 1/4"]

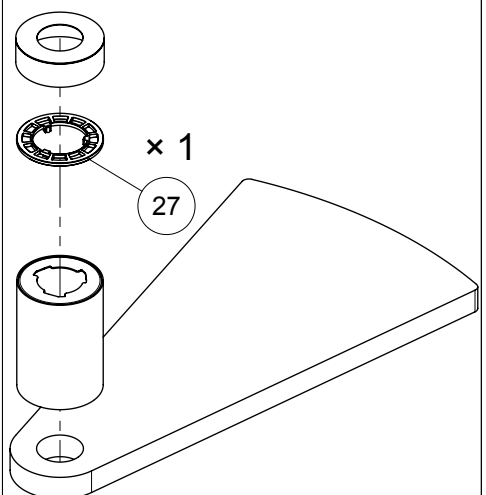
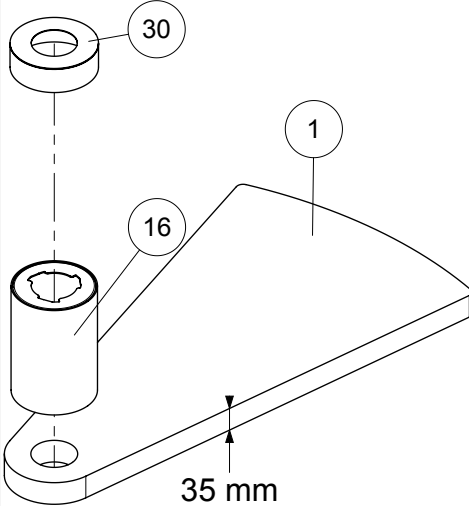




35mm
[1 3/8"]

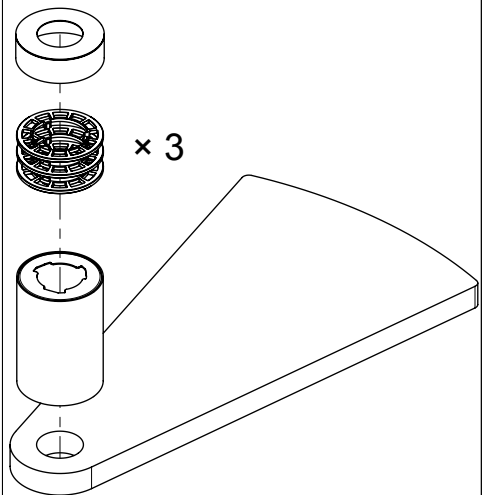
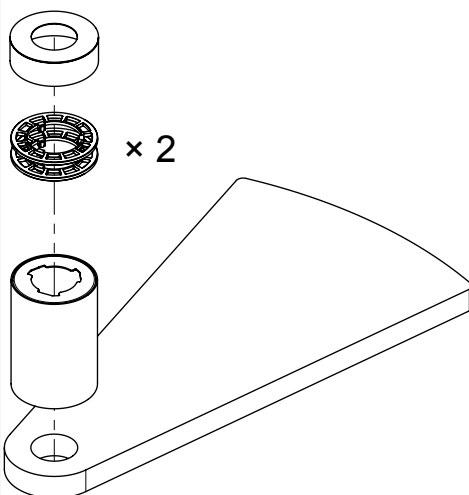
205mm
[8 1/16"]

210mm
[8 1/4"]



215mm
[8 7/16"]

220mm
[8 11/16"]

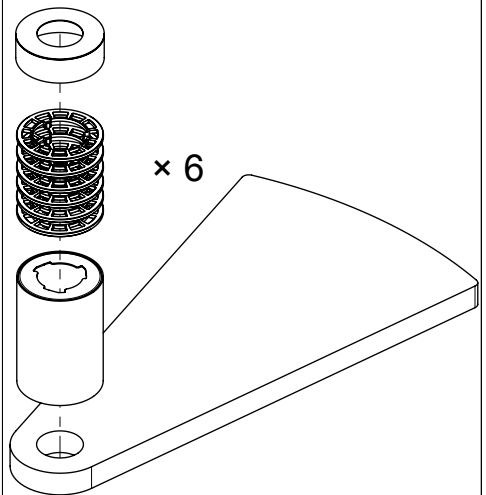
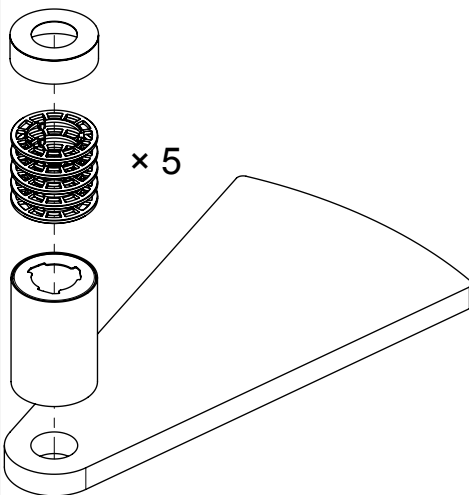
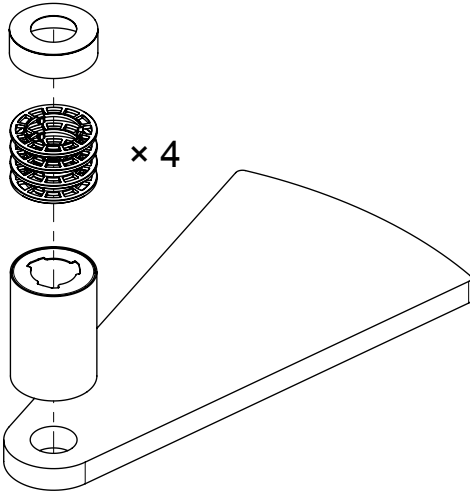


205mm - 235mm
[8 1/16"] [9 1/4"]

225mm
[8 7/8"]

230mm
[9 1/16"]

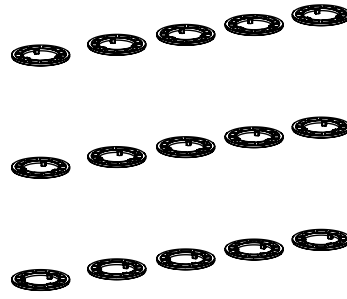
235mm
[9 1/4"]



35 mm
[1 3/8"]

T	11	
12	1	

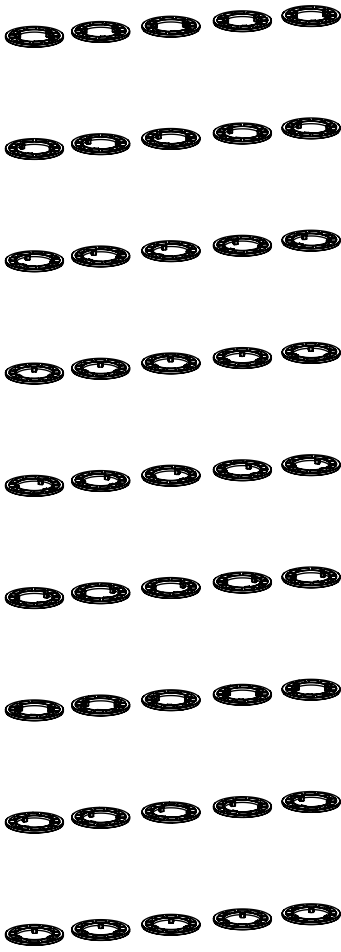
N
0 ... 6 st (pcs)



12

T

N
0 ... 6 st (pcs)



P
+1
st (pcs)



35 mm
[1 3/8"]

109 1/4	2775	5	5
109 7/16	2780	5	4
109 5/8	2785	5	5
109 13/16	2790	5	6
110 1/16	2795	5	7
110 1/4	2800	5	8
110 7/16	2805	5	9
110 5/8	2810	5	10
110 13/16	2815	5	11

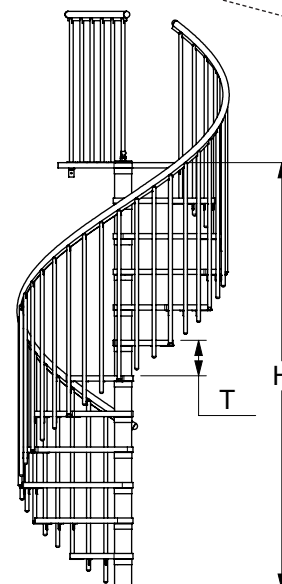
N x T

5 st (pcs) x 12
= 60 st (pcs)

P

+6 st (pcs)

109 1/4	2775	5	5
109 7/16	2780	5	4
109 5/8	2785	5	5
109 13/16	2790	5	6
110 1/16	2795	5	7
110 1/4	2800	5	8
110 7/16	2805	5	9
110 5/8	2810	5	10
110 13/16	2815	5	11









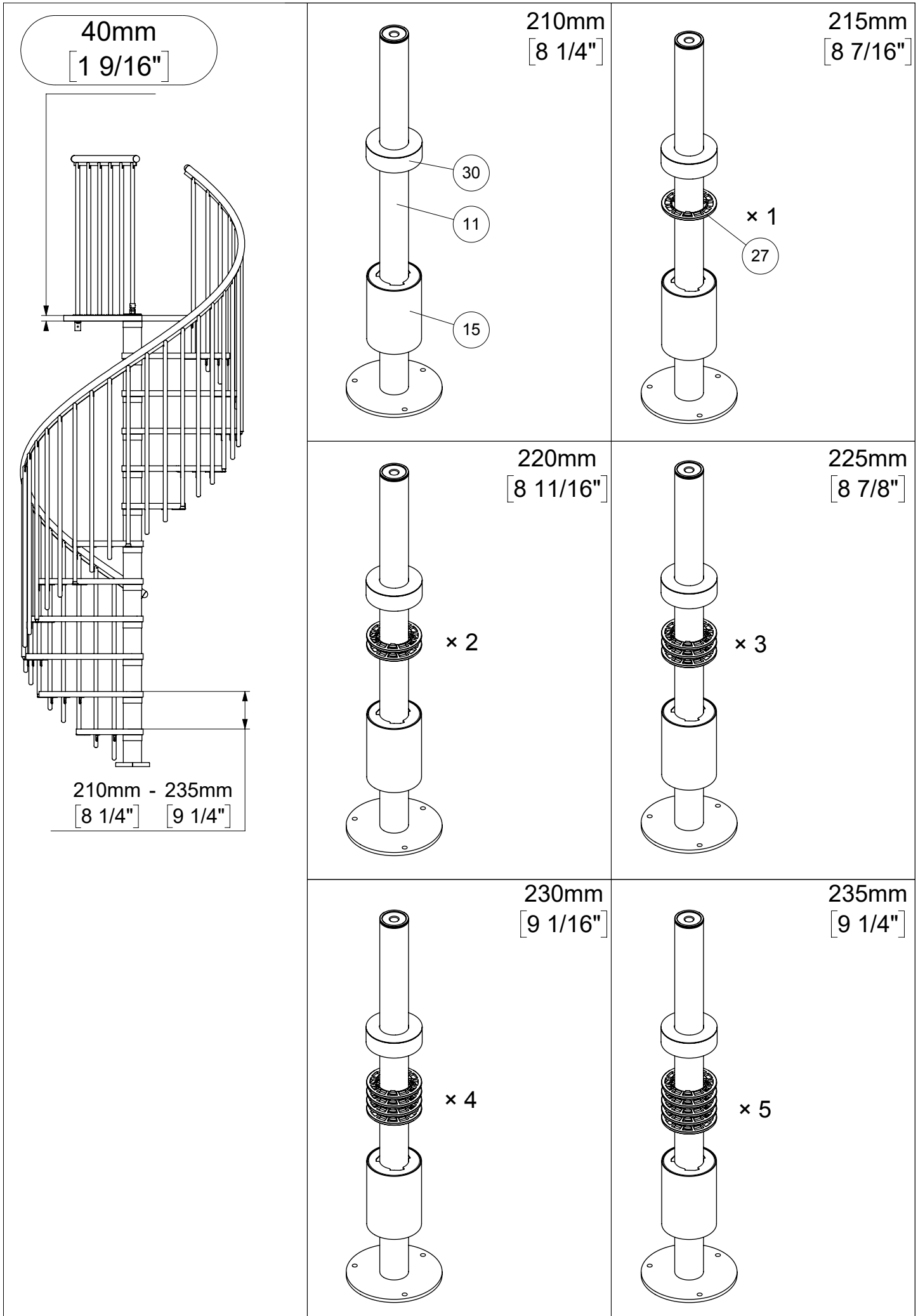
2790mm
[109 13/16"]

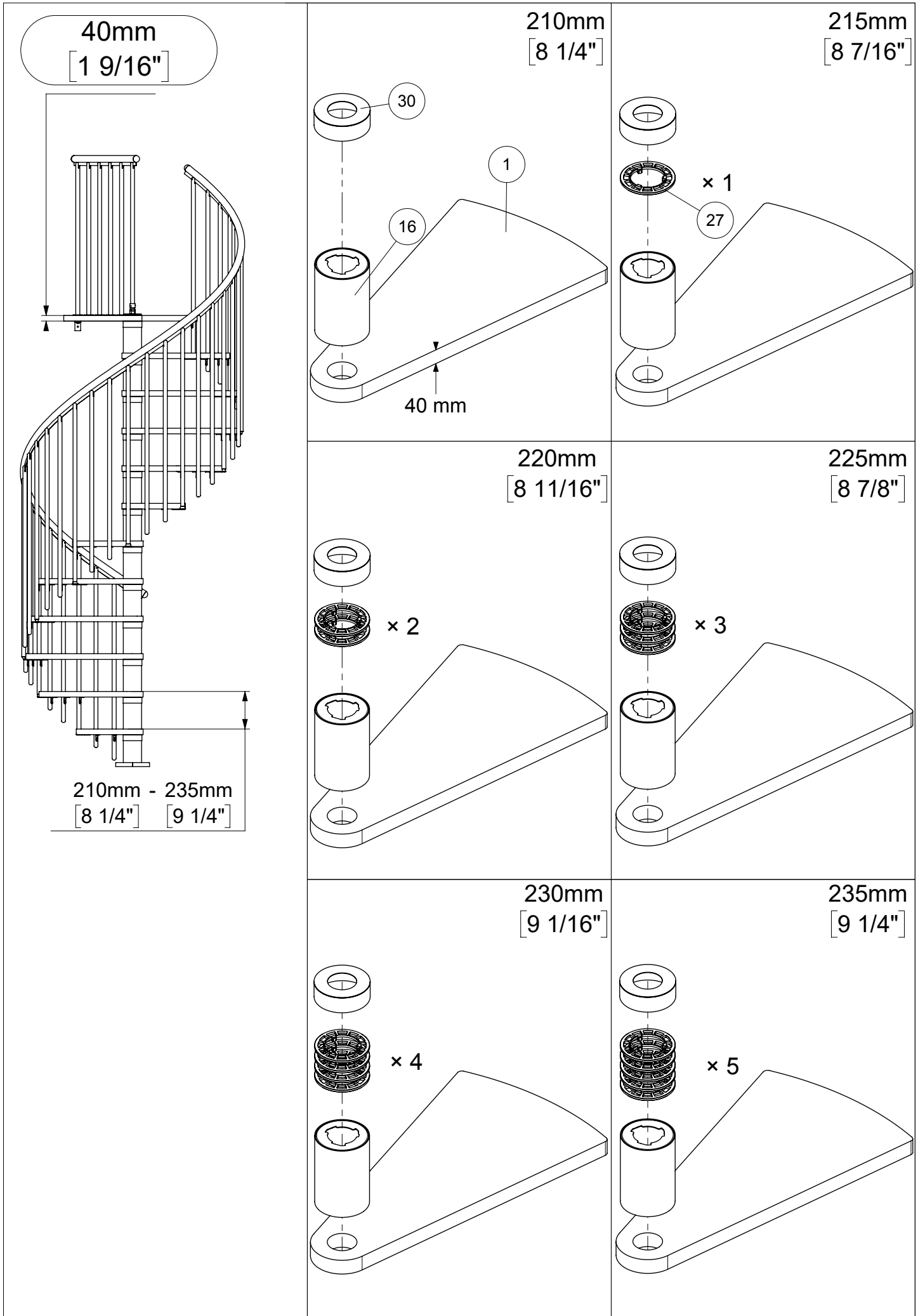
35 mm
[1 3/8"]

T 9				T 10				T 11				T 12											
10		1		11		1		12		1		1		1									
H	H	N	P	H	H	N	P	H	H	N	P	H	H	N	P								
"	mm	st	st	"	mm	st	st	"	mm	st	st	"	mm	st	st	"	mm	st	st				
80 11/16	2050	0	0	86 13/16	2205	3	1	88 3/4	2255	0	0	95 1/2	2425	3	1	96 7/8	2460	0	0	104 1/8	2645	3	1
80 7/8	2055	0	1	87	2210	3	2	89	2260	0	1	95 11/16	2430	3	2	97 1/16	2465	0	1	104 5/16	2650	3	2
81 1/8	2060	0	2	87 3/16	2215	3	3	89 3/16	2265	0	2	95 7/8	2435	3	3	97 1/4	2470	0	2	104 1/2	2655	3	3
81 5/16	2065	0	3	87 3/8	2220	3	4	89 3/8	2270	0	3	96 1/16	2440	3	4	97 7/16	2475	0	3	104 3/4	2660	3	4
81 1/2	2070	0	4	87 5/8	2225	3	5	89 9/16	2275	0	4	96 1/4	2445	3	5	97 5/8	2480	0	4	104 15/16	2665	3	5
81 11/16	2075	0	5	87 13/16	2230	3	6	89 3/4	2280	0	5	96 7/16	2450	3	6	97 13/16	2485	0	5	105 1/8	2670	3	6
81 7/8	2080	0	6	88	2235	3	7	89 15/16	2285	0	6	96 5/8	2455	3	7	98 1/16	2490	0	6	105 5/16	2675	3	7
82 1/16	2085	0	7	88 3/16	2240	3	8	90 3/16	2290	0	7	96 3/8	2460	3	8	98 1/4	2495	0	7	105 1/2	2680	3	8
82 5/16	2090	0	8	88 3/8	2245	3	9	90 3/8	2295	0	8	97 1/16	2465	3	9	98 7/16	2500	0	8	105 11/16	2685	3	9
82 1/2	2095	0	9	88 9/16	2250	4	0	90 9/16	2300	0	9	97 1/4	2470	3	10	98 5/8	2505	0	9	105 7/8	2690	3	10
82 11/16	2100	1	0	88 3/4	2255	4	1	90 3/4	2305	0	10	97 7/16	2475	4	0	98 13/16	2510	0	10	106 1/8	2695	3	11
82 7/8	2105	1	1	89	2260	4	2	90 15/16	2310	1	0	97 5/8	2480	4	1	99	2515	0	11	106 5/16	2700	4	0
83 1/16	2110	1	2	89 3/16	2265	4	3	91 1/8	2315	1	1	97 13/16	2485	4	2	99 3/16	2520	1	0	106 1/2	2705	4	1
83 1/4	2115	1	3	89 3/8	2270	4	4	91 5/16	2320	1	2	98 1/16	2490	4	3	99 7/16	2525	1	1	106 11/16	2710	4	2
83 7/16	2120	1	4	89 9/16	2275	4	5	91 9/16	2325	1	3	98 1/4	2495	4	4	99 10/16	2530	1	2	106 7/8	2715	4	3
83 11/16	2125	1	5	89 3/4	2280	4	6	91 3/4	2330	1	4	98 7/16	2500	4	5	99 13/16	2535	1	3	107 1/16	2720	4	4
83 7/8	2130	1	6	89 15/16	2285	4	7	91 15/16	2335	1	5	98 5/8	2505	4	6	100	2540	1	4	107 5/16	2725	4	5
84 1/16	2135	1	7	90 3/16	2290	4	8	92 1/8	2340	1	6	98 13/16	2510	4	7	100 3/16	2545	1	5	107 1/2	2730	4	6
84 1/4	2140	1	8	90 3/8	2295	4	9	92 5/16	2345	1	7	99	2515	4	8	100 3/8	2550	1	6	107 11/16	2735	4	7
84 7/16	2145	1	9	90 9/16	2300	5	0	92 1/2	2350	1	8	99 3/16	2520	4	9	100 9/16	2555	1	7	107 7/8	2740	4	8
84 5/8	2150	2	0	90 3/4	2305	5	1	92 11/16	2355	1	9	99 7/16	2525	4	10	100 13/16	2560	1	8	108 1/16	2745	4	9
84 13/16	2155	2	1	90 15/16	2310	5	2	92 15/16	2360	1	10	99 5/8	2530	5	0	101	2565	1	9	108 1/4	2750	4	10
85 1/16	2160	2	2	91 1/8	2315	5	3	93 1/8	2365	2	0	99 13/16	2535	5	1	101 3/16	2570	1	10	108 7/16	2755	4	11
85 1/4	2165	2	3	91 5/16	2320	5	4	93 5/16	2370	2	1	100	2540	5	2	101 3/8	2575	1	11	108 11/16	2760	5	0
85 7/16	2170	2	4	91 9/16	2325	5	5	93 1/2	2375	2	2	100 3/16	2545	5	3	101 9/16	2580	2	0	108 7/8	2765	5	1
85 5/8	2175	2	5	91 3/4	2330	5	6	93 11/16	2380	2	3	100 3/8	2550	5	4	101 6/8	2585	2	1	109 1/16	2770	5	2
85 13/16	2180	2	6	91 15/16	2335	5	7	93 7/8	2385	2	4	100 9/16	2555	5	5	101 15/16	2590	2	2	109 1/4	2775	5	3
86	2185	2	7	92 1/8	2340	5	8	94 1/8	2390	2	5	100 13/16	2560	5	6	102 3/16	2595	2	3	109 7/16	2780	5	4
86 1/4	2190	2	8	92 5/16	2345	5	9	94 5/16	2395	2	6	101	2565	5	7	102 3/8	2600	2	4	109 5/8	2785	5	5
86 7/16	2195	2	9	92 1/2	2350	6	0	94 1/2	2400	2	7	101 3/16	2570	5	8	102 9/16	2605	2	5	109 13/16	2790	5	6
86 5/8	2200	3	0					94 11/16	2405	2	8	101 3/8	2575	5	9	102 3/4	2610	2	6	110 1/16	2795	5	7
								94 7/8	2410	2	9	101 9/16	2580	5	10	102 15/16	2615	2	7	110 1/4	2800	5	8
								95 1/16	2415	2	10	101 3/4	2585	6	0	103 1/8	2620	2	8	110 7/16	2805	5	9
								95 1/4	2420	3	0					103 3/8	2625	2	9	110 5/8	2810	5	10
																103 9/16	2630	2	10	110 13/16	2815	5	11
																103 3/4	2635	2	11	111	2820	6	0
																103 15/16	2640	3	0				

35 mm
[1 3/8"]

T 12 				T 13 				T 14 																	
13 				14 				15 																	
H	H	N	P	H	H	N	P	H	H	N	P	H	H	N	P	H	H	N	P						
"	mm	st	pcs	"	mm	st	pcs	"	mm	st	pcs	"	mm	st	pcs	"	mm	st	pcs						
104	15/16	2665	0 0	112	13/16	2865	3 1	113	2870	0 0	121	7/16	3085	3 1	121	1/16	3075	0 0	130	1/8	3305	3 1			
105	1/8	2670	0 1	113	2870	3 2	113	3/16	2875	0 1	121	5/8	3090	3 2	121	1/4	3080	0 1	130	5/16	3310	3 2			
105	5/16	2675	0 2	113	3/16	2875	3 3	113	3/8	2880	0 2	121	7/8	3095	3 3	121	7/16	3085	0 2	130	1/2	3315	3 3		
105	1/2	2680	0 3	113	3/8	2880	3 4	113	9/16	2885	0 3	122	1/16	3100	3 4	121	5/8	3090	0 3	130	11/16	3320	3 4		
105	11/16	2685	0 4	113	9/16	2885	3 5	113	3/4	2890	0 4	122	1/4	3105	3 5	121	7/8	3095	0 4	130	7/8	3325	3 5		
105	7/8	2690	0 5	113	3/4	2890	3 6	114	2895	0 5	122	7/16	3110	3 6	122	1/16	3100	0 5	131	1/8	3330	3 6			
106	1/8	2695	0 6	114	2895	3 7	114	3/16	2900	0 6	122	5/8	3115	3 7	122	1/4	3105	0 6	131	5/16	3335	3 7			
106	5/16	2700	0 7	114	3/16	2900	3 8	114	3/8	2905	0 7	122	13/16	3120	3 8	122	7/16	3110	0 7	131	1/2	3340	3 8		
106	1/2	2705	0 8	114	3/8	2905	3 9	114	9/16	2910	0 8	123	1/16	3125	3 9	122	5/8	3115	0 8	131	11/16	3345	3 9		
106	11/16	2710	0 9	114	9/16	2910	3 10	114	3/4	2915	0 9	123	1/4	3130	3 10	122	13/16	3120	0 9	131	7/8	3350	3 10		
106	7/8	2715	0 10	114	3/4	2915	3 11	114	15/16	2920	0 10	123	7/16	3135	3 11	123	1/16	3125	0 10	132	1/16	3355	3 11		
107	1/16	2720	0 11	114	15/16	2920	3 12	115	3/16	2925	0 11	123	5/8	3140	3 12	123	1/4	3130	0 11	132	5/16	3360	3 12		
107	5/16	2725	0 12	115	3/16	2925	4 0	115	3/8	2930	0 12	123	13/16	3145	3 13	123	7/16	3135	0 12	132	1/2	3365	3 13		
107	1/2	2730	1 0	115	3/8	2930	4 1	115	9/16	2935	0 13	124	2935	4 0	123	5/8	3140	0 13	132	11/16	3370	3 14			
107	11/16	2735	1 1	115	9/16	2935	4 2	115	3/4	2940	1 0	124	3/16	3155	4 0	123	13/16	3145	0 14	132	7/8	3375	4 0		
107	7/8	2740	1 2	115	3/4	2940	4 3	115	15/16	2945	1 1	124	7/16	3160	4 2	124	3160	4 2	124	3150	1 0	133	1/16	3380	4 1
108	1/16	2745	1 3	115	15/16	2945	4 4	116	1/8	2950	1 2	124	5/8	3165	4 3	124	3/16	3155	1 1	133	1/4	3385	4 2		
108	1/4	2750	1 4	116	1/8	2950	4 5	116	5/16	2955	1 3	124	13/16	3170	4 4	124	7/16	3160	1 2	133	7/16	3390	4 3		
108	7/16	2755	1 5	116	5/16	2955	4 6	116	9/16	2960	1 4	125	3175	4 5	124	5/8	3165	1 3	133	11/16	3395	4 4			
108	11/16	2760	1 6	116	9/16	2960	4 7	116	3/4	2965	1 5	125	3/16	3180	4 6	124	13/16	3170	1 4	133	7/8	3400	4 5		
108	7/8	2765	1 7	116	3/4	2965	4 8	116	15/16	2970	1 6	125	3/8	3185	4 7	125	3185	4 7	125	134	1/16	3405	4 6		
109	1/16	2770	1 8	116	15/16	2970	4 9	117	1/8	2975	1 7	125	9/16	3190	4 8	125	3/16	3180	1 6	134	1/4	3410	4 7		
109	1/4	2775	1 9	117	1/8	2975	4 10	117	5/16	2980	1 8	125	13/16	3195	4 9	125	3/8	3185	1 7	134	7/16	3415	4 8		
109	7/16	2780	1 10	117	5/16	2980	4 11	117	1/2	2985	1 9	126	3200	4 10	125	9/16	3190	1 8	134	3/4	3420	4 9			
109	5/8	2785	1 11	117	1/2	2985	4 12	117	11/16	2990	1 10	126	3/16	3205	4 11	125	13/16	3195	1 9	134	13/16	3425	4 10		
109	13/16	2790	1 12	117	11/16	2990	5 0	117	15/16	2995	1 11	126	3/8	3210	4 12	126	3200	4 12	126	3200	1 10	135	1/16	3430	4 11
110	1/16	2795	2 0	117	15/16	2995	5 1	118	1/8	3000	1 12	126	9/16	3215	4 13	126	3/16	3205	1 11	135	1/4	3435	4 12		
110	1/4	2800	2 1	118	1/8	3000	5 2	118	5/16	3005	1 13	126	3/4	3220	5 0	126	3/8	3210	1 12	135	7/16	3440	4 13		
110	7/16	2805	2 2	118	5/16	3005	5 3	118	1/2	3010	2 0	126	15/16	3225	5 1	126	9/16	3215	1 13	135	3/4	3445	4 14		
110	5/8	2810	2 3	118	1/2	3010	5 4	118	11/16	3015	2 1	127	3/16	3230	5 2	126	3/4	3220	1 14	135	13/16	3450	5 0		
110	13/16	2815	2 4	118	11/16	3015	5 5	118	7/8	3020	2 2	127	3/8	3235	5 3	126	15/16	3225	2 0	136	3455	5 1			
111	2820	2 5	118	7/8	3020	5 6	119	1/8	3025	2 3	127	9/16	3240	5 4	127	3/16	3230	2 1	136	1/4	3460	5 2			
111	1/4	2825	2 6	119	1/8	3025	5 7	119	5/16	3030	2 4	127	3/4	3245	5 5	127	3/8	3235	2 2	136	7/16	3465	5 3		
111	7/16	2830	2 7	119	5/16	3030	5 8	119	1/2	3035	2 5	127	15/16	3250	5 6	127	9/16	3240	2 3	136	2/4	3470	5 4		
111	5/8	2835	2 8	119	1/2	3035	5 9	119	11/16	3040	2 6	128	1/8	3255	5 7	127	3/4	3245	2 4	136	13/16	3475	5 5		
111	13/16	2840	2 9	119	11/16	3040	5 10	119	7/8	3045	2 7	128	3/8	3260	5 8	127	15/16	3250	2 5	137	3480	5 6			
112	2845	2 10	119	7/8	3045	5 11	120	1/16	3050	2 8	128	9/16	3265	5 9	128	1/8	3255	2 6	137	3/16	3485	5 7			
112	3/16	2850	2 11	120	1/16	3050	5 12	120	1/4	3055	2 9	128	3/4	3270	5 10	128	3/8	3260	2 7	137	6/16	3490	5 8		
112	3/8	2855	2 12	120	1/4	3055	6 0	120	1/2	3060	2 10	128	15/16	3275	5 11	128	9/16	3265	2 8	137	2/4	3495	5 9		
112	5/8	2860	3 0	120	11/16	3065	2 11	129	1/8	3070	2 12	129	1/2	3280	5 12	128	3/4	3270	2 9	137	13/16	3500	5 10		
				120	7/8	3070	2 12	129	5/16	3075	2 13	129	1/2	3285	5 13	128	15/16	3275	2 10	138	3505	5 11			
				121	1/16	3075	2 13	129	1/2	3080	3 0	129	1/8	3290	6 0	129	1/8	3280	2 11	138	3/16	3510	5 12		
				129	5/16	3285	2 12	138	6/16	3515	5 13	129	1/2	3290	2 13	138	9/16	3520	5 14						
				129	1/2	3290	2 13	138	3/4	3525	6 0	129	3/4	3295	2 14	138	3/4	3525	6 0						
				129	15/16	3300	3 0																		

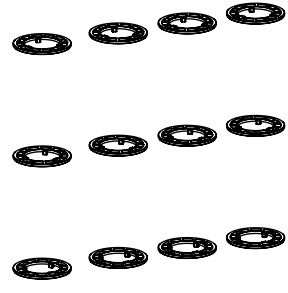




40 mm
[1 9/16"]

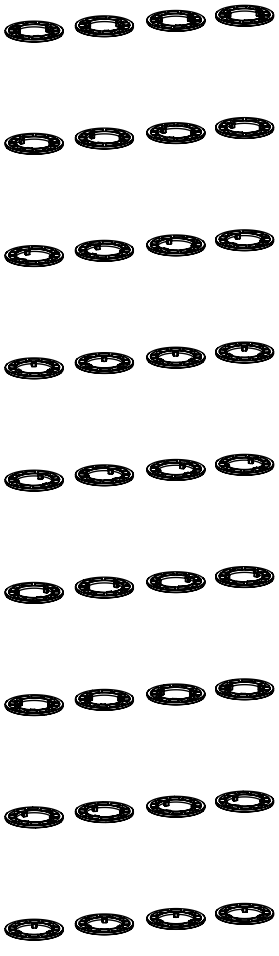
T	11	
12	1	

N
0 ... 5 st (pcs)



12

N
0 ... 5 st (pcs)



P
+1
st (pcs)



40 mm
[1 9/16"]

109 1/4	2775	4	3
109 7/16	2780	4	4
109 5/8	2785	4	5
109 13/16	2790	4	6
110 1/16	2795	4	7
110 1/4	2800	4	8
110 7/16	2805	4	9
110 5/8	2810	4	10

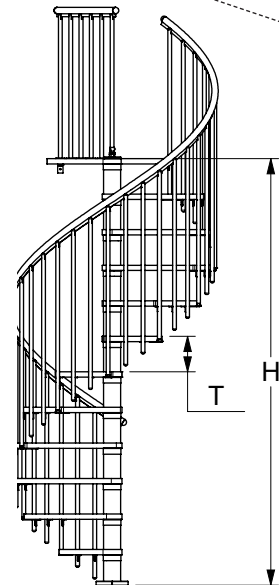
N x T

4 st (pcs) x 12
= 48 st (pcs)

P







+ 6 st (pcs)

109 1/4	2775	4	3
109 7/16	2780	4	4
109 5/8	2785	4	5
109 13/16	2790	4	6
110 1/16	2795	4	7
110 1/4	2800	4	8
110 7/16	2805	4	9
110 5/8	2810	4	10
110 13/16	2815	4	11









2790mm
[109 13/16"]

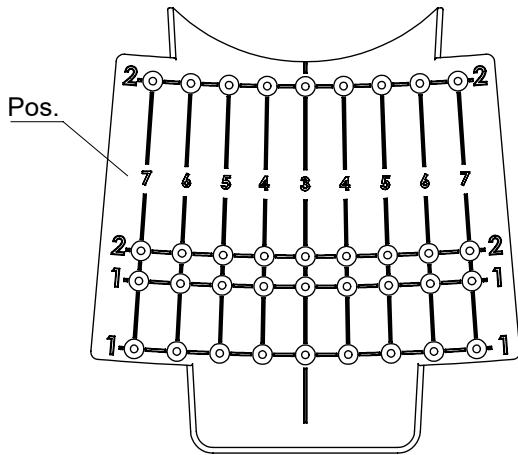
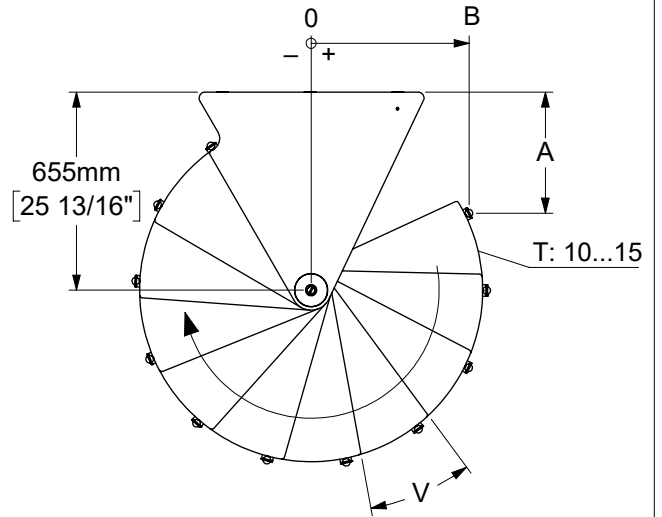
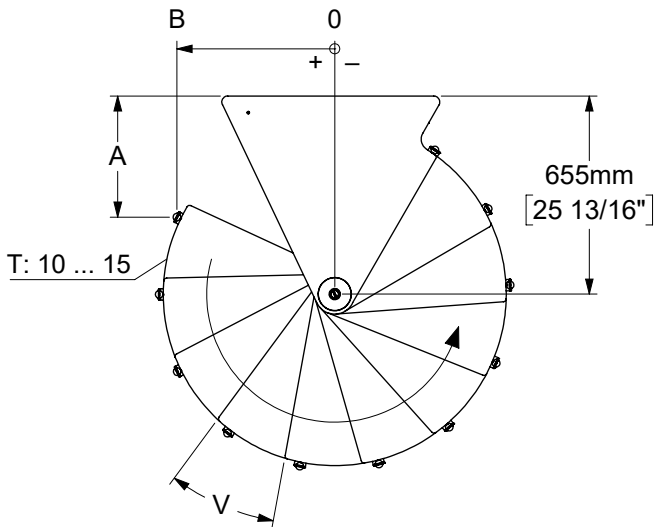
40 mm
[1 9/16"]

T 9 				T 10 				T 11 															
10 				11 				12 															
H	H	N	P	H	H	N	P	H	H	N	P	H	H	N	P	H	H	N	P				
"	mm	pcs	pcs	"	mm	pcs	pcs	"	mm	pcs	pcs	"	mm	pcs	pcs	"	mm	pcs	pcs	"	mm	pcs	pcs
82 11/16	2100	0	0	88 3/4	2255	3	1	90 15/16	2310	0	0	97 5/8	2480	3	1	99 3/16	2520	0	0	106 1/2	2705	3	1
82 7/8	2105	0	1	89	2260	3	2	91 1/8	2315	0	1	97 13/16	2485	3	2	99 7/16	2525	0	1	106 11/16	2710	3	2
83 1/16	2110	0	2	89 3/16	2265	3	3	91 5/16	2320	0	2	98 1/16	2490	3	3	99 5/8	2530	0	2	106 7/8	2715	3	3
83 1/4	2115	0	3	89 6/16	2270	3	4	91 9/16	2325	0	3	98 1/4	2495	3	4	99 13/16	2535	0	3	107 1/16	2720	3	4
83 7/16	2120	0	4	89 9/16	2275	3	5	91 3/4	2330	0	4	98 7/16	2500	3	5	100	2540	0	4	107 5/16	2725	3	5
83 11/16	2125	0	5	89 3/4	2280	3	6	91 15/16	2335	0	5	98 5/8	2505	3	6	100 3/16	2545	0	5	107 1/2	2730	3	6
83 7/8	2130	0	6	89 15/16	2285	3	7	92 1/8	2340	0	6	98 13/16	2510	3	7	100 3/8	2550	0	6	107 11/16	2735	3	7
84 1/16	2135	0	7	90 3/16	2290	3	8	92 5/16	2345	0	7	99	2515	3	8	100 9/16	2555	0	7	107 7/8	2740	3	8
84 1/4	2140	0	8	90 6/16	2295	3	9	92 1/2	2350	0	8	99 3/16	2520	3	9	100 13/16	2560	0	8	108 1/16	2745	3	9
84 7/16	2145	0	9	90 9/16	2300	4	0	92 11/16	2355	0	9	99 7/16	2525	3	10	101	2565	0	9	108 1/4	2750	3	10
84 5/8	2150	1	0	90 3/4	2305	4	1	92 15/16	2360	0	10	99 5/8	2530	4	0	101 3/16	2570	0	10	108 7/16	2755	3	11
84 13/16	2155	1	1	90 15/16	2310	4	2	93 1/8	2365	1	0	99 13/16	2535	4	1	101 3/8	2575	0	11	108 11/16	2760	4	0
85 1/16	2160	1	2	91 1/8	2315	4	3	93 5/16	2370	1	1	100	2540	4	2	101 9/16	2580	1	0	108 7/8	2765	4	1
85 1/4	2165	1	3	91 5/16	2320	4	4	93 1/2	2375	1	2	100 3/16	2545	4	3	101 3/4	2585	1	1	109 1/16	2770	4	2
85 7/16	2170	1	4	91 9/16	2325	4	5	93 11/16	2380	1	3	100 3/8	2550	4	4	101 15/16	2590	1	2	109 1/4	2775	4	3
85 5/8	2175	1	5	91 3/4	2330	4	6	93 7/8	2385	1	4	100 9/16	2555	4	5	102 3/16	2595	1	3	109 7/16	2780	4	4
85 13/16	2180	1	6	91 15/16	2335	4	7	94 1/8	2390	1	5	100 13/16	2560	4	6	102 3/8	2600	1	4	109 5/8	2785	4	5
86	2185	1	7	92 1/8	2340	4	8	94 5/16	2395	1	6	101	2565	4	7	102 9/16	2605	1	5	109 13/16	2790	4	6
86 1/4	2190	1	8	92 5/16	2345	4	9	94 1/2	2400	1	7	101 3/16	2570	4	8	102 3/4	2610	1	6	110 1/16	2795	4	7
86 7/16	2195	1	9	92 1/2	2350	5	0	94 11/16	2405	1	8	101 3/8	2575	4	9	102 15/16	2615	1	7	110 1/4	2800	4	8
86 5/8	2200	2	0					94 7/8	2410	1	9	101 9/16	2580	4	10	103 1/8	2620	1	8	110 7/16	2805	4	9
86 13/16	2205	2	1					95 1/16	2415	1	10	101 3/4	2585	5	0	103 3/8	2625	1	9	110 5/8	2810	4	10
87	2210	2	2					95 1/4	2420	2	0					103 9/16	2630	1	10	110 13/16	2815	4	11
87 3/16	2215	2	3					95 1/2	2425	2	1					103 3/4	2635	1	11	111	2820	5	0
87 6/16	2220	2	4					95 11/16	2430	2	2					103 15/16	2640	2	0				
87 5/8	2225	2	5					95 7/8	2435	2	3					104 1/8	2645	2	1				
87 13/16	2230	2	6					96 1/16	2440	2	4					104 5/16	2650	2	2				
88	2235	2	7					96 1/4	2445	2	5					104 1/2	2655	2	3				
88 3/16	2240	2	8					96 7/16	2450	2	6					104 3/4	2660	2	4				
88 3/8	2245	2	9					96 5/8	2455	2	7					104 15/16	2665	2	5				
88 9/16	2250	3	0					96 7/8	2460	2	8					105 1/8	2670	2	6				
								97 1/16	2465	2	9					105 5/16	2675	2	7				
								97 1/4	2470	2	10					105 1/2	2680	2	8				
								97 7/16	2475	3	0					105 11/16	2685	2	9				
																105 7/8	2690	2	10				
																106 1/8	2695	2	11				
																106 5/16	2700	3	0				

40 mm
[1 9/16"]

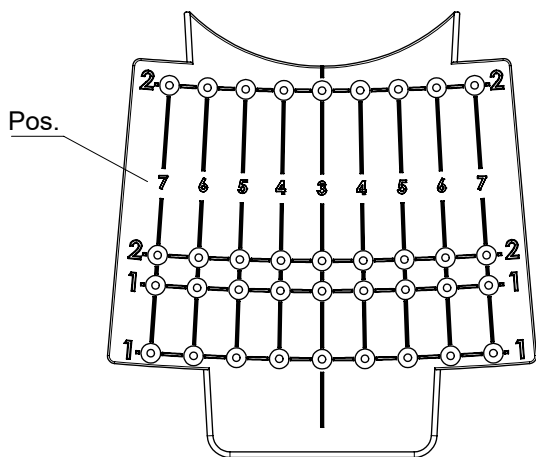
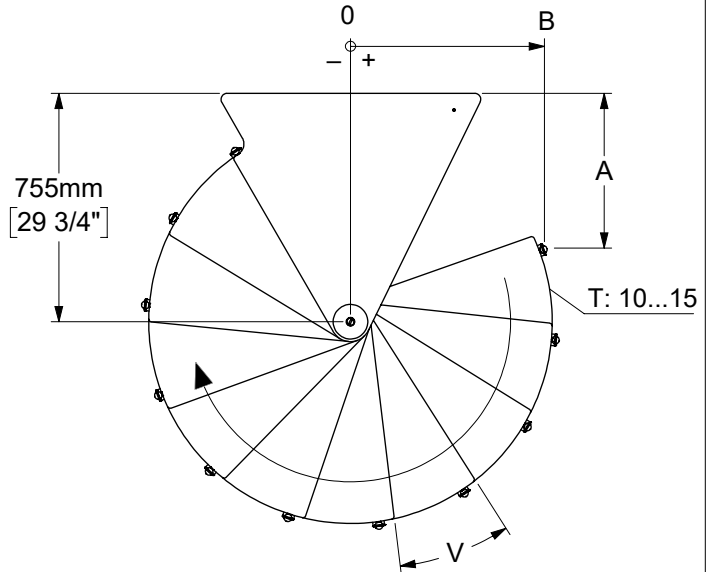
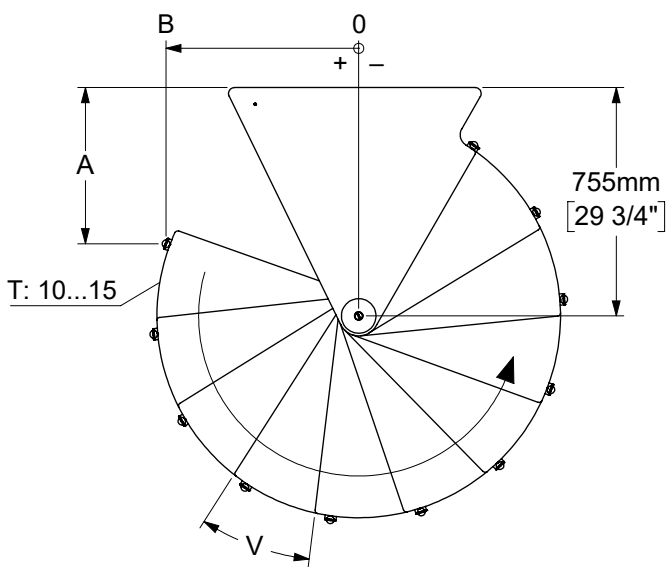
T 12 				T 13 				T 14 															
13 				14 				15 															
H	H	N	P	H	H	N	P	H	H	N	P	H	H	N	P	H	H	N	P				
"	mm	st	st	"	mm	st	st	"	mm	st	st	"	mm	st	st	"	mm	st	st				
107 1/2	2730	0	0	115 3/8	2930	3	1	115 3/4	2940	0	0	124 3/16	3155	3	1	124	3150	0	0	133 1/16	3380	3	1
107 11/16	2735	0	1	115 9/16	2935	3	2	115 15/16	2945	0	1	124 7/16	3160	3	2	124 3/16	3155	0	1	133 1/4	3385	3	2
107 7/8	2740	0	2	115 3/4	2940	3	3	116 1/8	2950	0	2	124 5/8	3165	3	3	124 7/16	3160	0	2	133 7/16	3390	3	3
108 1/16	2745	0	3	115 15/16	2945	3	4	116 5/16	2955	0	3	124 13/16	3170	3	4	124 5/8	3165	0	3	133 11/16	3395	3	4
108 1/4	2750	0	4	116 1/8	2950	3	5	116 9/16	2960	0	4	125	3175	3	5	124 13/16	3170	0	4	133 7/8	3400	3	5
108 7/16	2755	0	5	116 5/16	2955	3	6	116 3/4	2965	0	5	125 3/16	3180	3	6	125	3175	0	5	134 1/16	3405	3	6
108 11/16	2760	0	6	116 9/16	2960	3	7	116 15/16	2970	0	6	125 3/8	3185	3	7	125 3/16	3180	0	6	134 1/4	3410	3	7
108 7/8	2765	0	7	116 3/4	2965	3	8	117 1/8	2975	0	7	125 9/16	3190	3	8	125 3/8	3185	0	7	134 7/16	3415	3	8
109 1/16	2770	0	8	116 15/16	2970	3	9	117 5/16	2980	0	8	125 13/16	3195	3	9	125 9/16	3190	0	8	134 5/8	3420	3	9
109 1/4	2775	0	9	117 1/8	2975	3	10	117 1/2	2985	0	9	126	3200	3	10	125 13/16	3195	0	9	134 13/16	3425	3	10
109 7/16	2780	0	10	117 5/16	2980	3	11	117 11/16	2990	0	10	126 3/16	3205	3	11	126	3200	0	10	135 1/16	3430	3	11
109 5/8	2785	0	11	117 1/2	2985	3	12	117 15/16	2995	0	11	126 3/8	3210	3	12	126 3/16	3205	0	11	135 1/4	3435	3	12
109 13/16	2790	0	12	117 11/16	2990	4	0	118 1/8	3000	0	12	126 9/16	3215	3	13	126 3/8	3210	0	12	135 7/16	3440	3	13
110 1/16	2795	1	0	117 15/16	2995	4	1	118 5/16	3005	0	13	126 3/4	3220	4	0	126 9/16	3215	0	13	135 5/8	3445	3	14
110 1/4	2800	1	1	118 1/8	3000	4	2	118 1/2	3010	1	0	126 15/16	3225	4	1	126 3/4	3220	0	14	135 13/16	3450	4	0
110 7/16	2805	1	2	118 5/16	3005	4	3	118 11/16	3015	1	1	127 3/16	3230	4	2	126 15/16	3225	1	0	136	3455	4	1
110 5/8	2810	1	3	118 1/2	3010	4	4	118 7/8	3020	1	2	127 3/8	3235	4	3	127 3/16	3230	1	1	136 1/4	3460	4	2
110 13/16	2815	1	4	118 11/16	3015	4	5	119 1/8	3025	1	3	127 9/16	3240	4	4	127 3/8	3235	1	2	136 7/16	3465	4	3
111	2820	1	5	118 7/8	3020	4	6	119 5/16	3030	1	4	127 3/4	3245	4	5	127 9/16	3240	1	3	136 5/8	3470	4	4
111 1/4	2825	1	6	119 1/8	3025	4	7	119 1/2	3035	1	5	127 15/16	3250	4	6	127 3/4	3245	1	4	136 13/16	3475	4	5
111 7/16	2830	1	7	119 5/16	3030	4	8	119 11/16	3040	1	6	128 1/8	3255	4	7	127 15/16	3250	1	5	137	3480	4	6
111 5/8	2835	1	8	119 1/2	3035	4	9	119 7/8	3045	1	7	128 3/8	3260	4	8	128 1/8	3255	1	6	137 3/16	3485	4	7
111 13/16	2840	1	9	119 11/16	3040	4	10	120 1/16	3050	1	8	128 9/16	3265	4	9	128 3/8	3260	1	7	137 3/8	3490	4	8
112	2845	1	10	119 7/8	3045	4	11	120 1/4	3055	1	9	128 3/4	3270	4	10	128 9/16	3265	1	8	137 5/8	3495	4	9
112 3/16	2850	1	11	120 1/16	3050	4	12	120 1/2	3060	1	10	128 15/16	3275	4	11	128 3/4	3270	1	9	137 13/16	3500	4	10
112 3/8	2855	1	12	120 1/4	3055	5	0	120 11/16	3065	1	11	129 1/8	3280	4	12	128 15/16	3275	1	10	138	3505	4	11
112 5/8	2860	2	0					120 7/8	3070	1	12	129 5/16	3285	4	13	129 1/8	3280	1	11	138 3/16	3510	4	12
112 13/16	2865	2	1					121 1/16	3075	1	13	129 1/2	3290	5	0	129 5/16	3285	1	12	138 3/8	3515	4	13
113	2870	2	2					121 1/4	3080	2	0					129 1/2	3290	1	13	138 9/16	3520	4	14
113 3/16	2875	2	3					121 7/16	3085	2	1					129 3/4	3295	1	14	138 3/4	3525	5	0
113 3/8	2880	2	4					121 5/8	3090	2	2					129 15/16	3300	2	0				
113 9/16	2885	2	5					121 7/8	3095	2	3					130 1/8	3305	2	1				
113 3/4	2890	2	6					122 1/16	3100	2	4					130 5/16	3310	2	2				
114	2895	2	7					122 1/4	3105	2	5					130 1/2	3315	2	3				
114 3/16	2900	2	8					122 7/16	3110	2	6					130 11/16	3320	2	4				
114 3/8	2905	2	9					122 5/8	3115	2	7					130 7/8	3325	2	5				
114 9/16	2910	2	10					122 13/16	3120	2	8					131 1/8	3330	2	6				
114 3/4	2915	2	11					123 1/16	3125	2	9					131 5/16	3335	2	7				
114 15/16	2920	2	12					123 1/4	3130	2	10					131 1/2	3340	2	8				
115 3/16	2925	3	0					123 7/16	3135	2	11					131 11/16	3345	2	9				
								123 5/8	3140	2	12					131 7/8	3350	2	10				
								123 13/16	3145	2	13					132 1/16	3355	2	11				
								124	3150	3	0					132 5/16	3360	2	12				
																132 1/2	3365	2	13				
																132 11/16	3370	2	14				
																132 7/8	3375	3	0				

∅ 120 cm [47"]



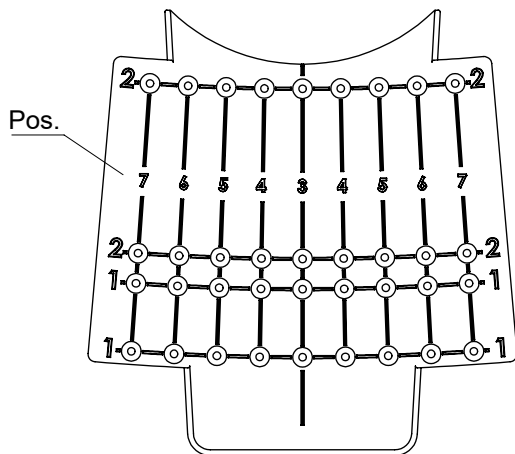
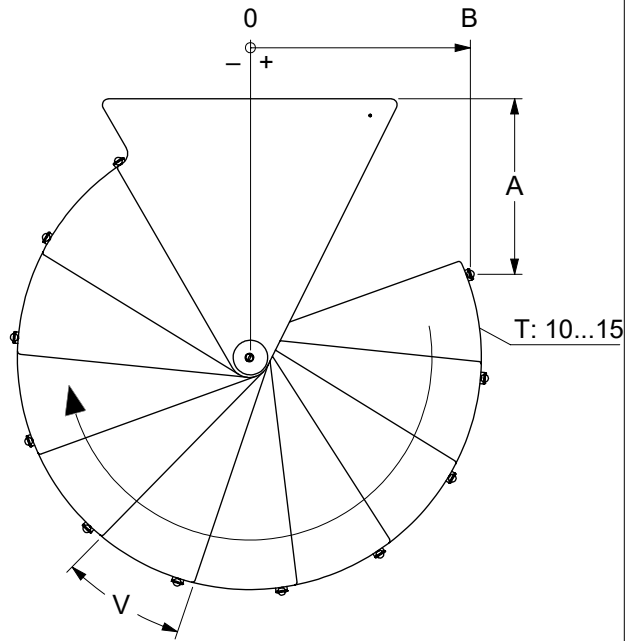
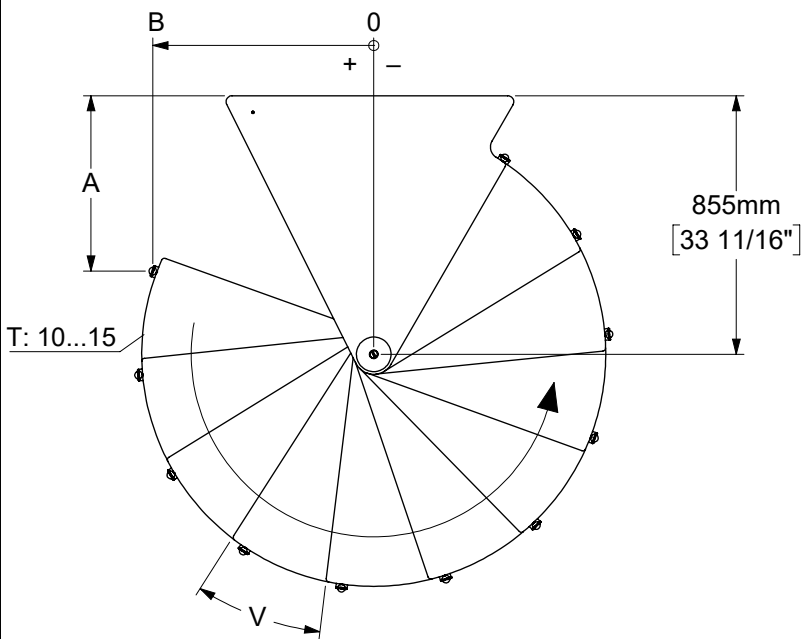
T	Pos.	V °	A		B	
			"	mm	"	mm
10	7	21	41 3/16	1046	16 7/8	429
	6	24	34 1/16	865	21 5/16	541
	5	26	25 13/16	656	22 7/8	580
	4	28	17 9/16	447	21 5/16	542
	3	31	10 7/16	265	16 15/16	431
11	7	21	33 15/16	862	21 3/8	542
	6	24	24 3/4	629	22 7/8	580
	5	26	15 3/4	400	20 9/16	522
	4	28	8 7/16	214	14 7/8	377
	3	31	3 15/16	100	6 11/16	170
12	7	21	25 9/16	650	22 7/8	580
	6	24	15 3/4	398	20 1/2	520
	5	26	7 3/4	197	14	356
	4	28	3 7/16	87	4 3/4	121
	3	31	3 9/16	91	-5 7/16	-138
13	7	21	17 1/4	438	21 3/16	539
	6	24	8 1/4	209	14 11/16	373
	5	26	3 3/8	86	4 5/8	118
	4	28	3 7/8	98	-6 7/16	-164
	3	31	9 1/2	241	-16 1/16	-408
14	7	21	10 1/8	256	16 1/2	422
	6	24	3 13/16	97	6 3/8	161
	5	26	3 3/4	93	-5 11/16	-144
	4	28	9 1/2	244	-16 1/8	-410
	3	31	20	509	-22 1/8	-562
15	7	21	5 1/8	130	9 6/8	247
	6	24	3 1/8	80	-3 1/16	-77
	5	26	8 7/16	214	-14 13/16	-377
	4	28	19 1/4	489	-21 7/8	-556
	3	31	32 3/16	817	-21 15/16	-558

∅ 140 cm [55"]

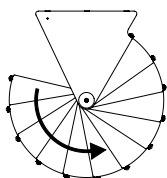
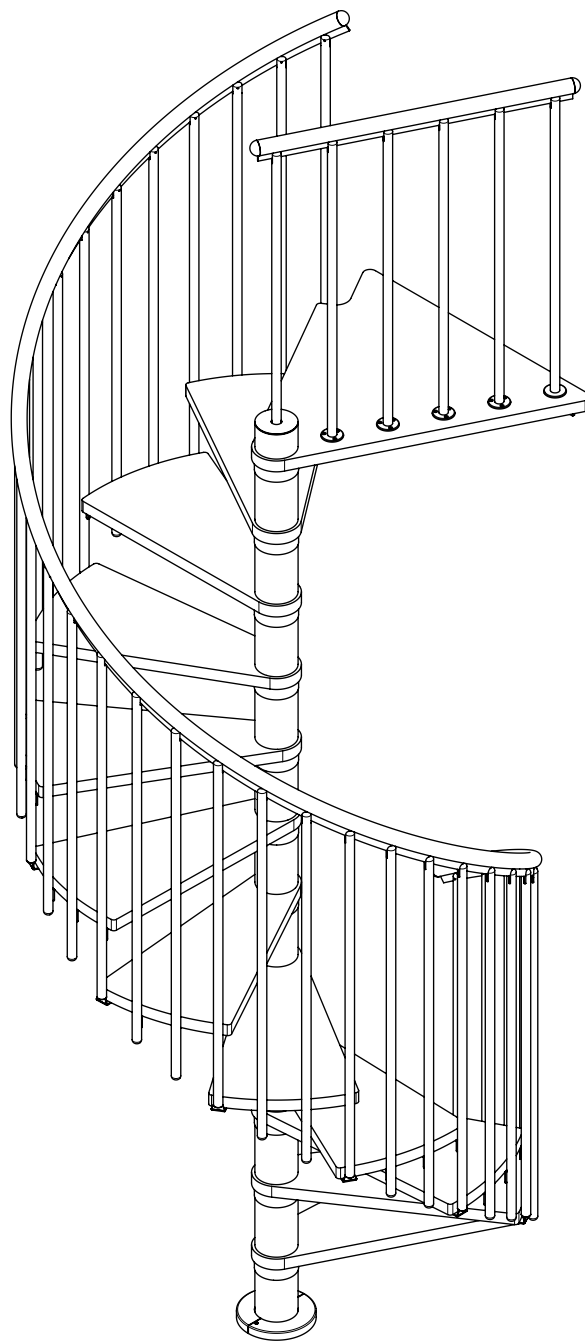
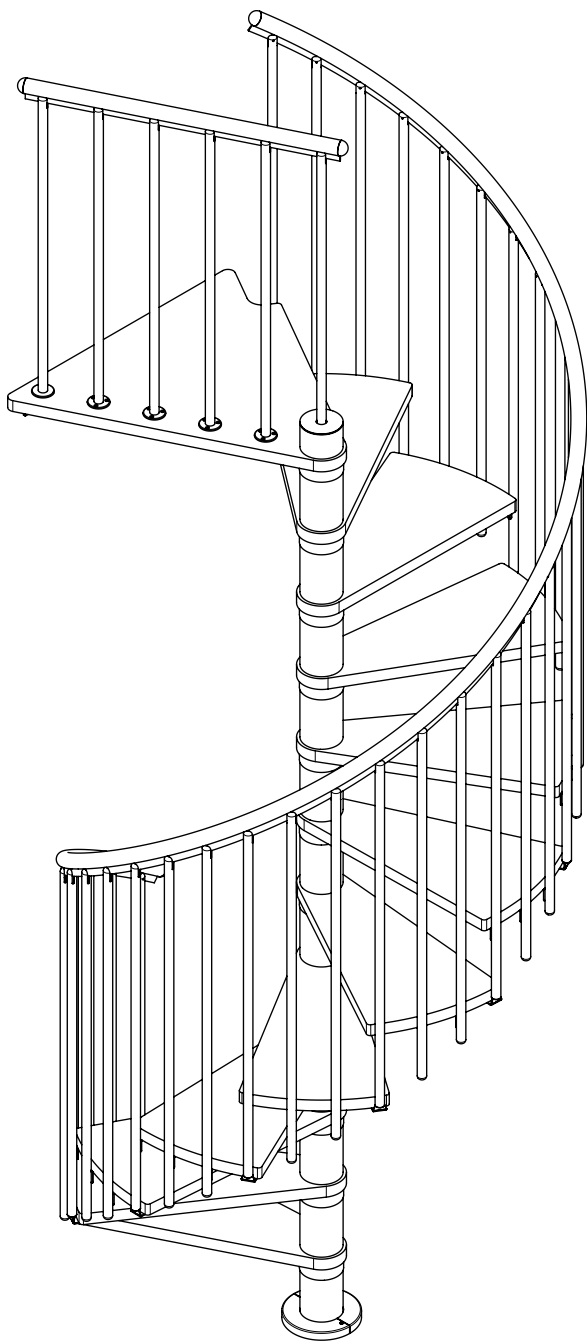
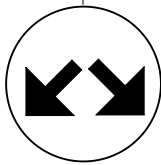


T	Pos.	V °	A		B	
			"	mm	"	mm
10	7	22	47 3/8	1203	20 3/16	513
	6	24	40 1/4	1022	24 5/8	626
	5	26	32 1/8	816	26 11/16	678
	4	28	23 3/4	603	26 1/8	663
	3	30	15 15/16	405	23	584
11	7	22	38 11/16	982	25 1/4	642
	6	24	29 1/2	749	26 13/16	680
	5	26	20 5/16	516	25 1/16	637
	4	28	12 5/16	313	20 3/8	517
	3	30	6 3/8	162	13 3/16	334
12	7	22	28 11/16	729	26 3/4	680
	6	24	18 3/4	476	24 7/16	621
	5	26	10 3/8	264	18 9/16	471
	4	28	4 7/8	123	9 15/16	253
	3	30	2 15/16	75	- 1/8	-3
13	7	22	18 15/16	480	24 1/2	623
	6	24	9 7/8	250	18	457
	5	26	4 1/4	108	8 3/8	212
	4	28	3 1/16	78	-2 3/4	-69
	3	30	6 1/2	165	-13 3/8	-339
14	7	22	10 5/8	270	18 13/16	477
	6	24	4 5/16	110	8 1/2	216
	5	26	3 3/16	80	-3 1/2	-89
	4	28	7 3/8	188	-14 13/16	-376
	3	30	16 1/8	410	-23 1/16	-586
15	7	22	5 1/16	128	10 7/16	265
	6	24	3 1/16	77	-2 3/8	-61
	5	26	7 5/16	185	-14 5/8	-372
	4	28	16 13/16	427	-23 7/16	-596
	3	30	29 5/16	745	-26 13/16	-680

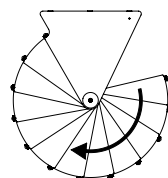
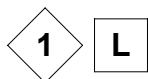
∅ 160 cm [63"]



T	Pos.	V °	A		B	
			"	mm	"	mm
10	7	22	51 15/16	1319	24 11/16	628
	6	24	44 9/16	1132	28 3/4	730
	5	26	36 3/8	924	30 1/2	777
	4	27	28	711	30 3/16	767
	3	29	20	509	27 9/16	699
11	7	22	41 1/4	1047	29 13/16	757
	6	24	31 15/16	812	30 11/16	779
	5	26	22 13/16	580	28 3/4	730
	4	27	14 11/16	374	24 3/16	614
	3	29	8 5/16	212	17 3/8	442
12	7	22	29 7/16	747	30 7/16	773
	6	24	19 3/4	499	27 5/16	694
	5	26	11 7/16	290	21 1/4	539
	4	27	5 11/16	145	12 3/4	323
	3	29	3 1/16	78	2 13/16	72
13	7	22	18 1/4	463	26 9/16	675
	6	24	8 1/16	205	17 1/16	433
	5	26	4 7/16	112	9 1/2	241
	4	27	2 15/16	75	-1 9/16	-40
	3	29	5 9/16	141	-12 7/16	-316
14	7	22	9 5/16	237	18 3/4	477
	6	24	3 1/16	77	2 7/16	61
	5	26	3 3/16	82	-4 1/8	-105
	4	27	7 3/16	182	-15 9/16	-395
	3	29	15 3/16	386	-24 9/16	-624
15	7	22	4 1/16	103	8 3/16	208
	6	24	5 3/4	146	-12 13/16	-326
	5	26	8	203	-16 15/16	-430
	4	27	17 5/16	439	-26	-661
	3	29	29 1/2	750	-30 7/16	-773

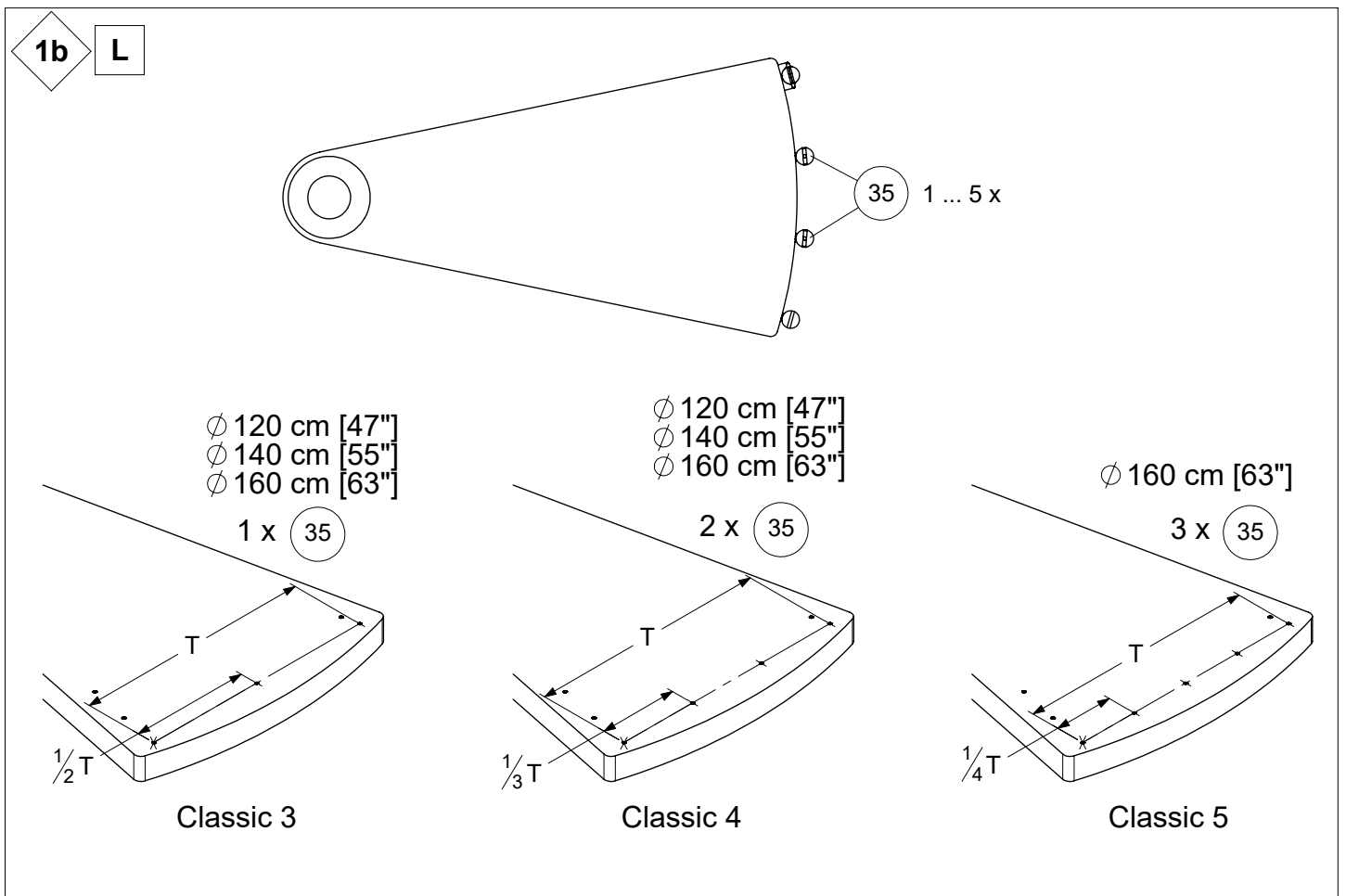
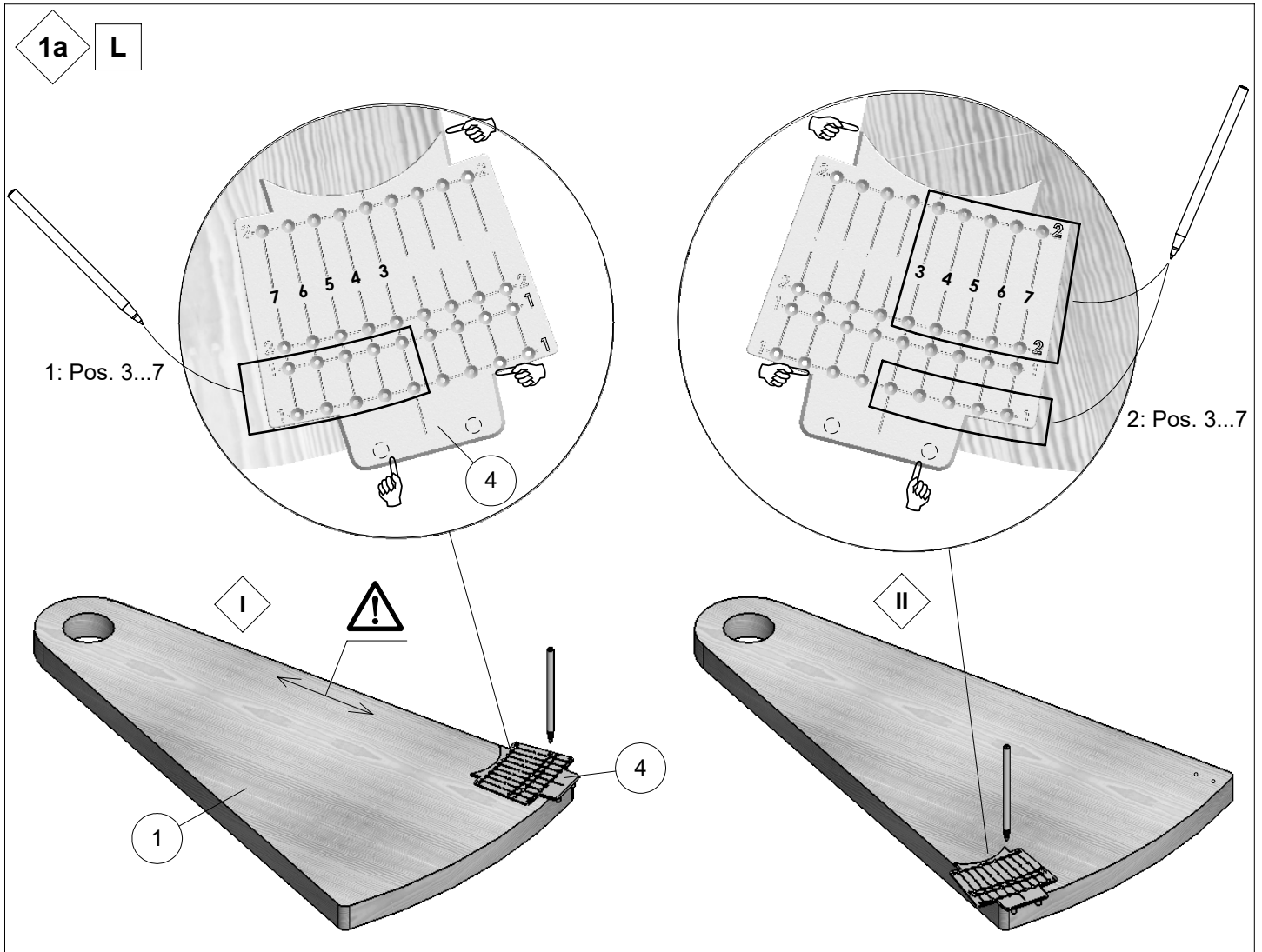


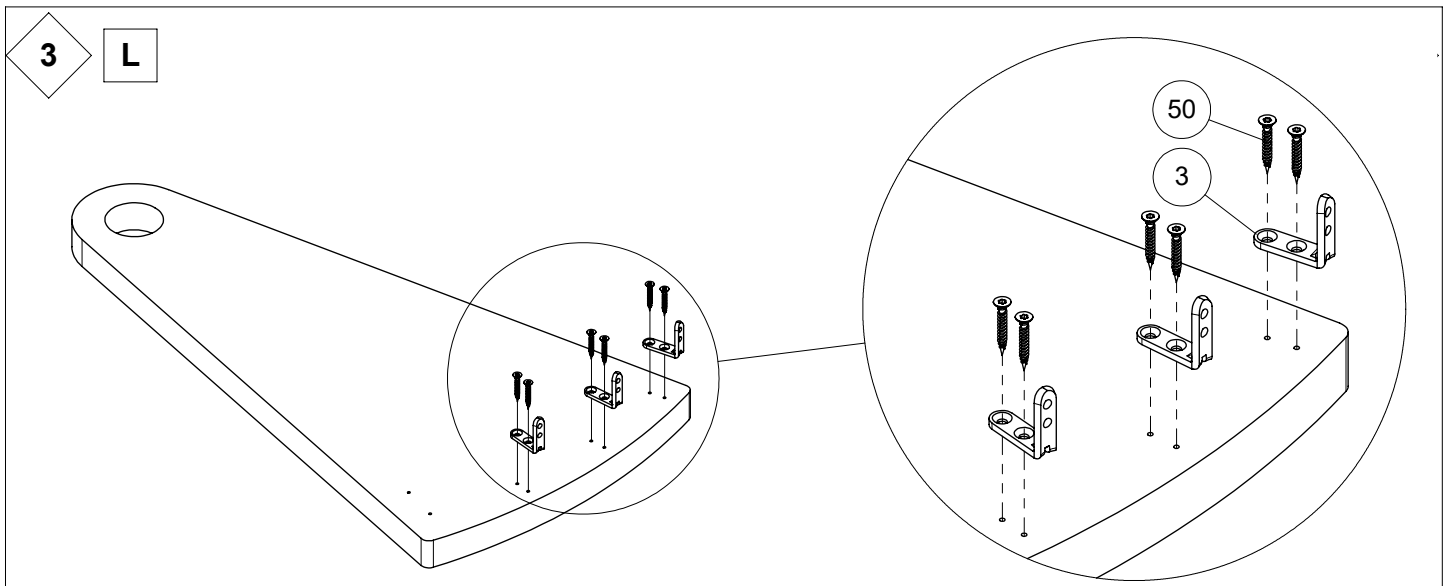
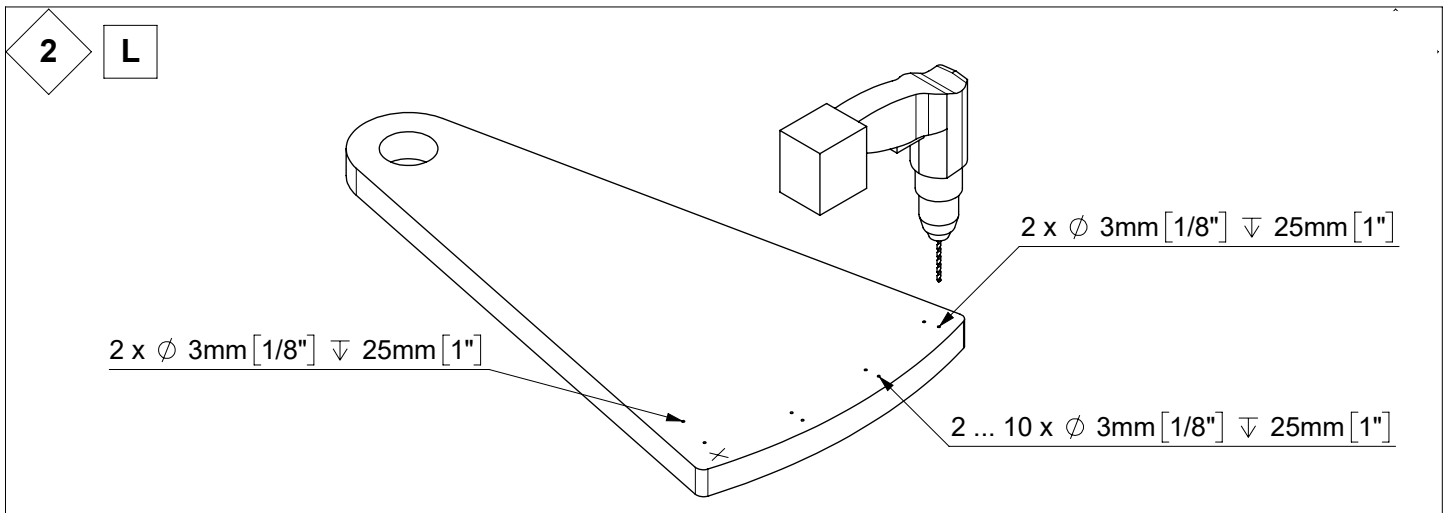
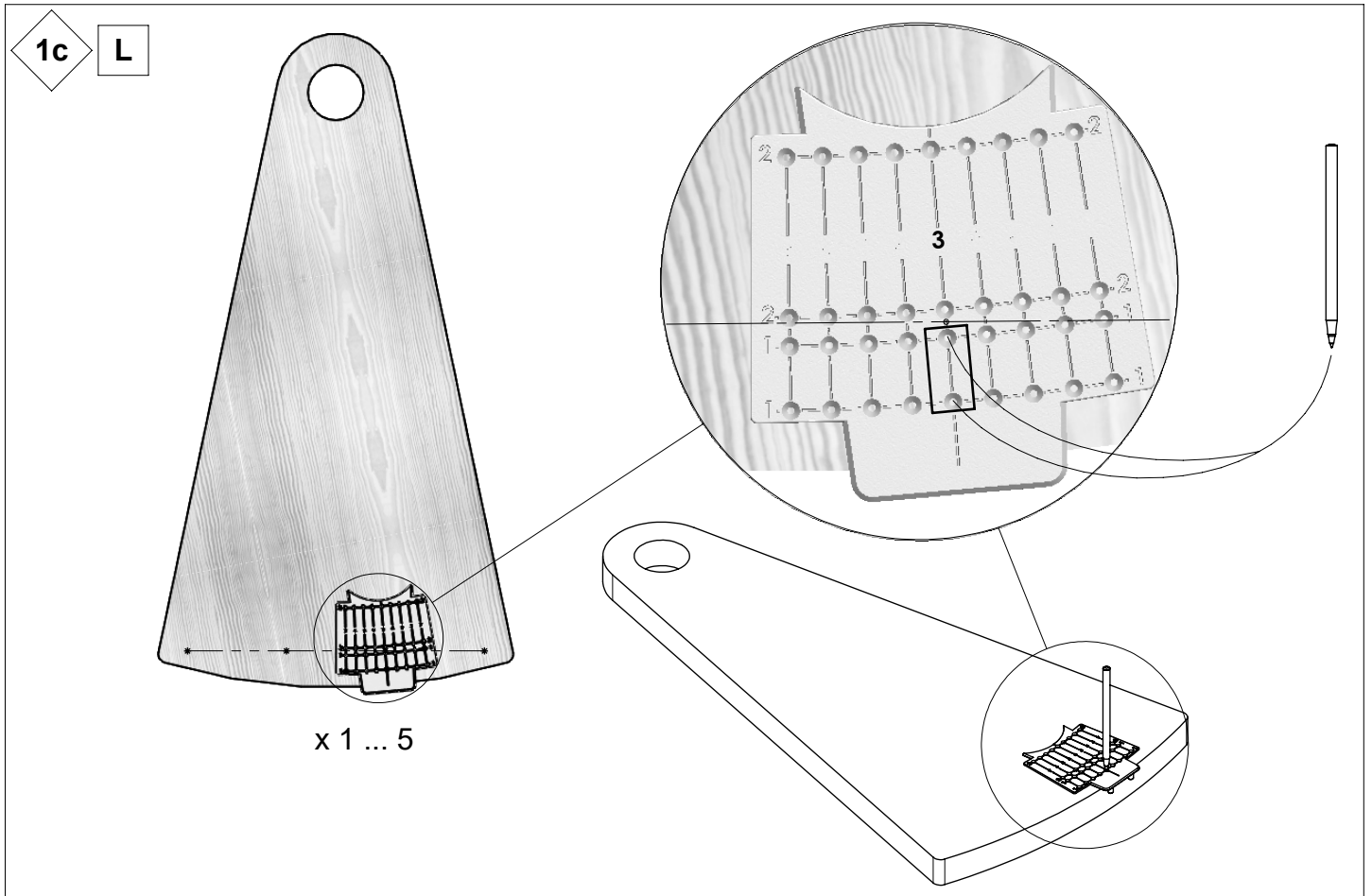
Left
Links
Gauche

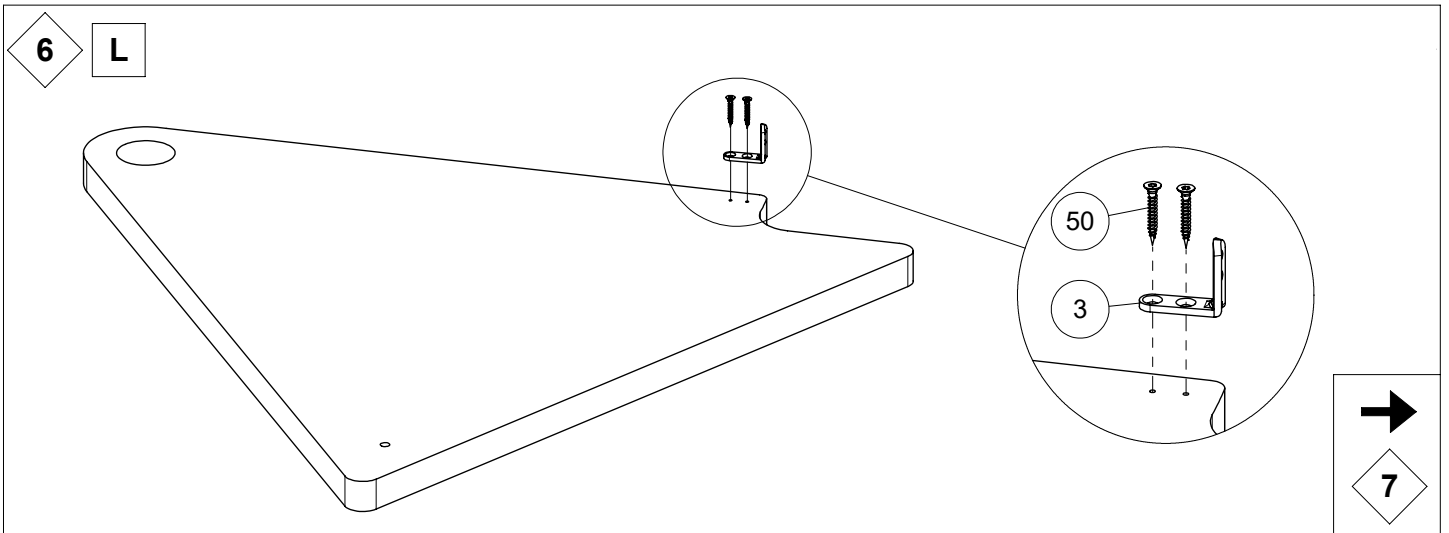
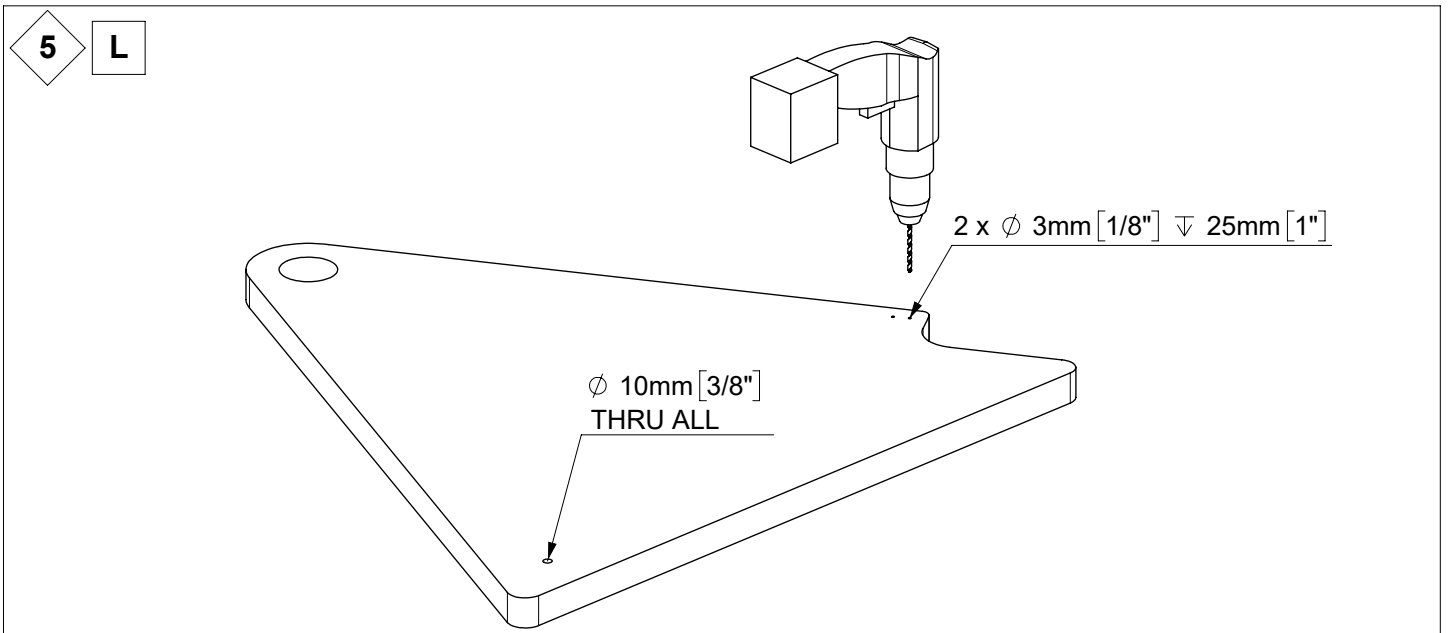
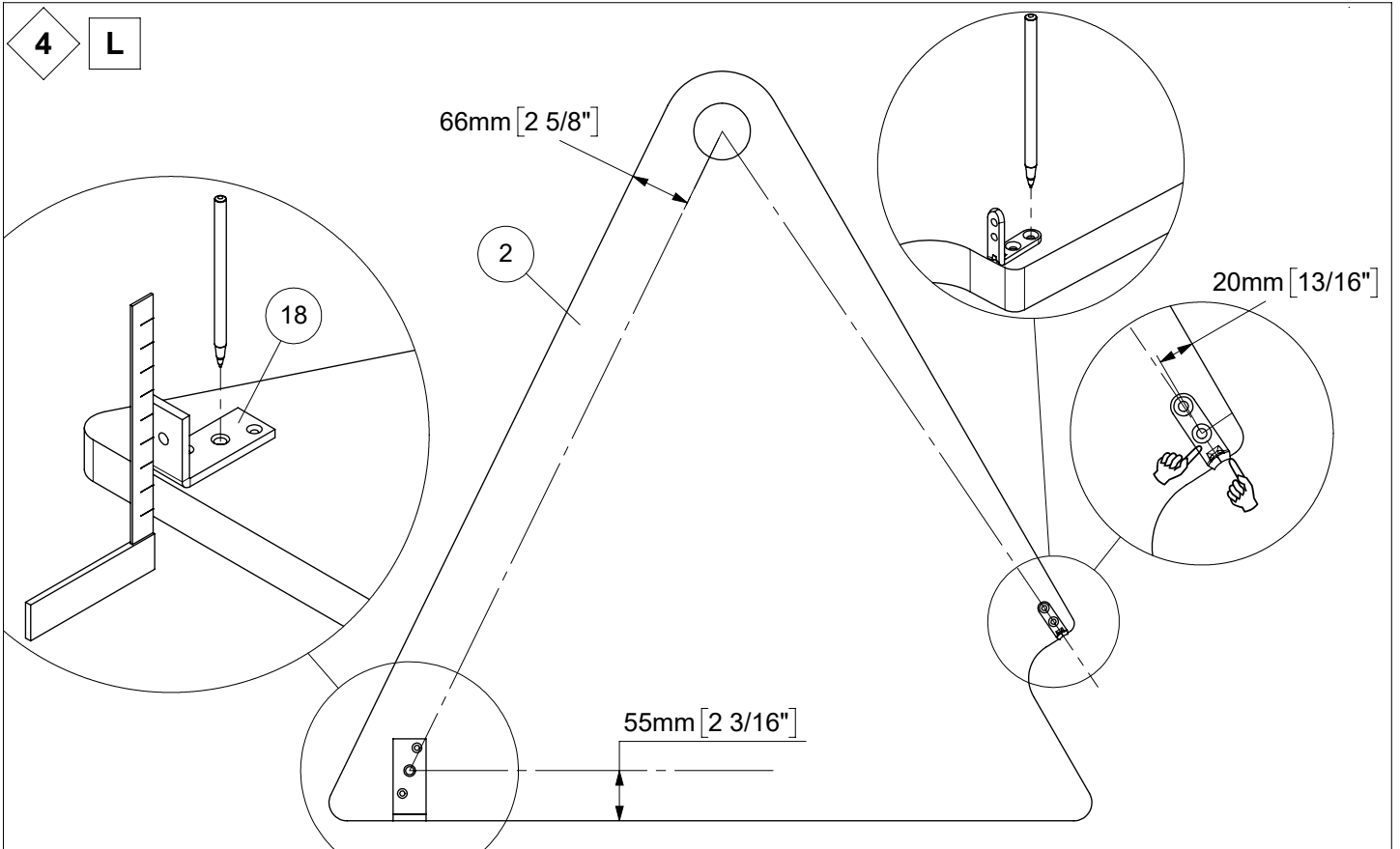


Right
Recht
Droite

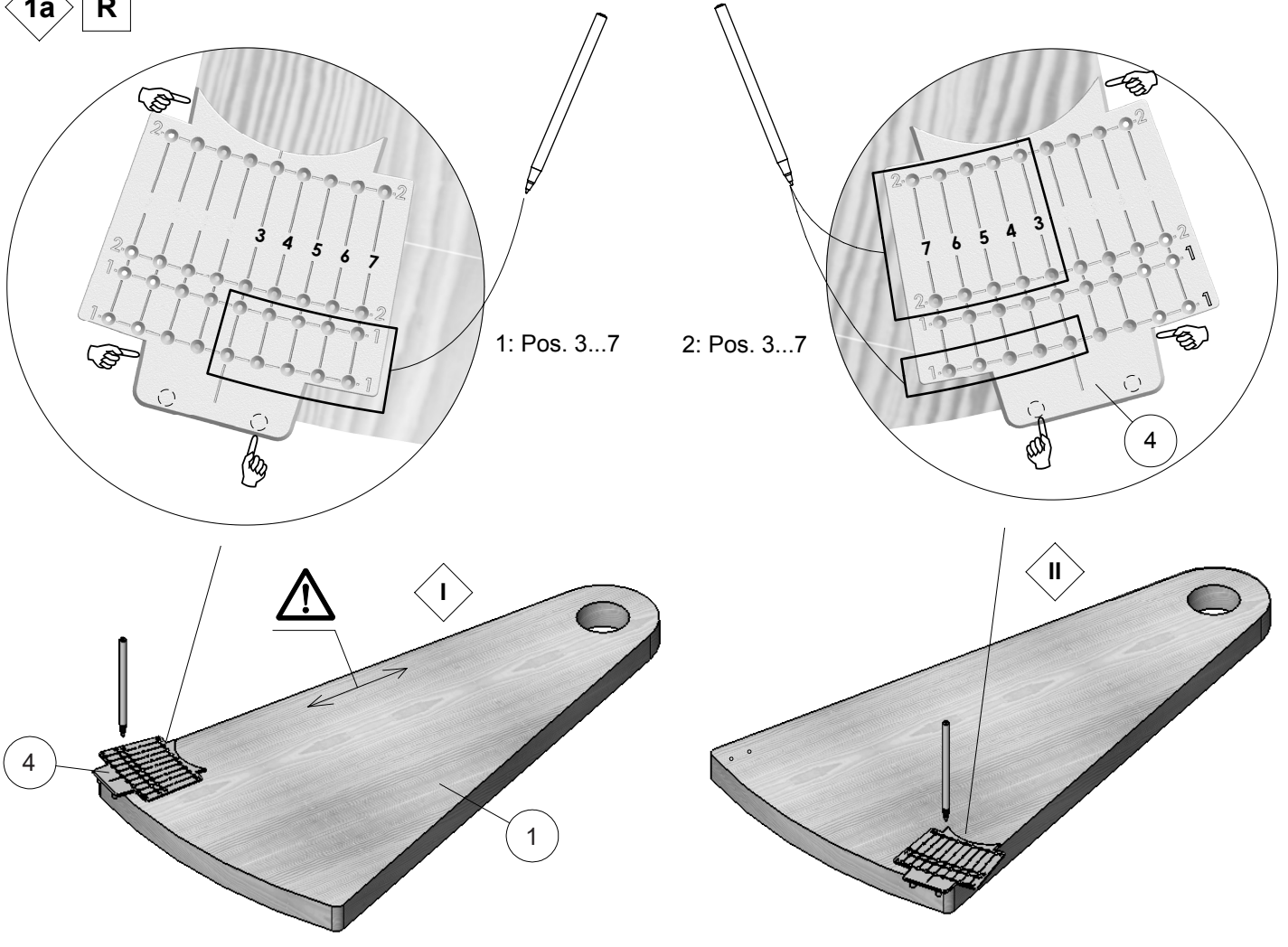




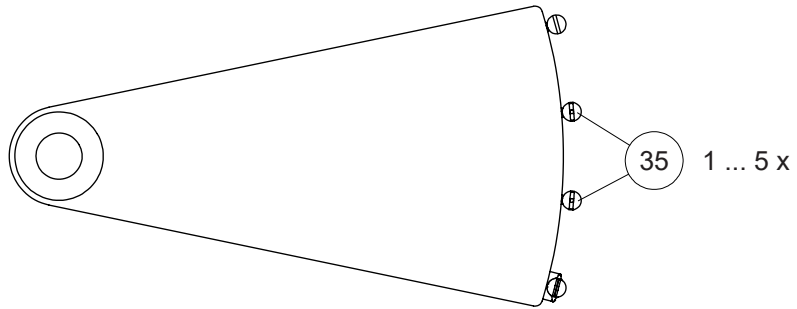




1a R

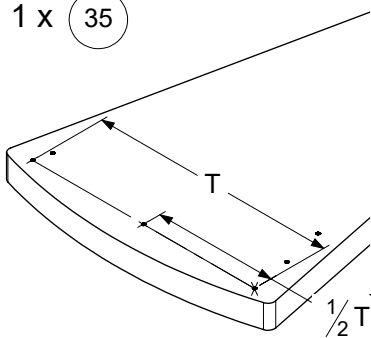


1b R



120 cm [47"]
 140 cm [55"]
 160 cm [63"]

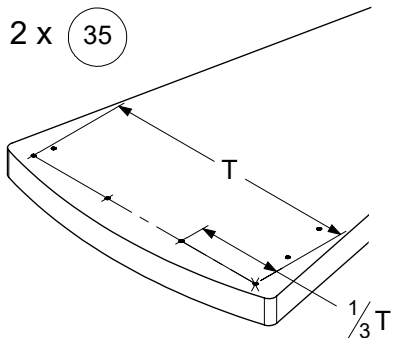
1 x 35



Classic 3

20 cm [47"]
 40 cm [55"]
 60 cm [63"]

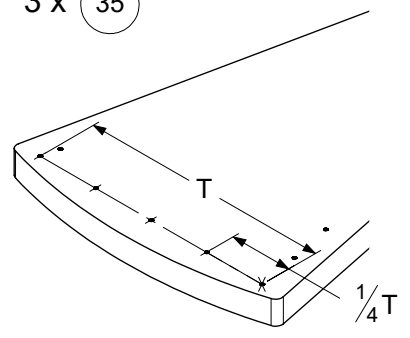
2 x 35



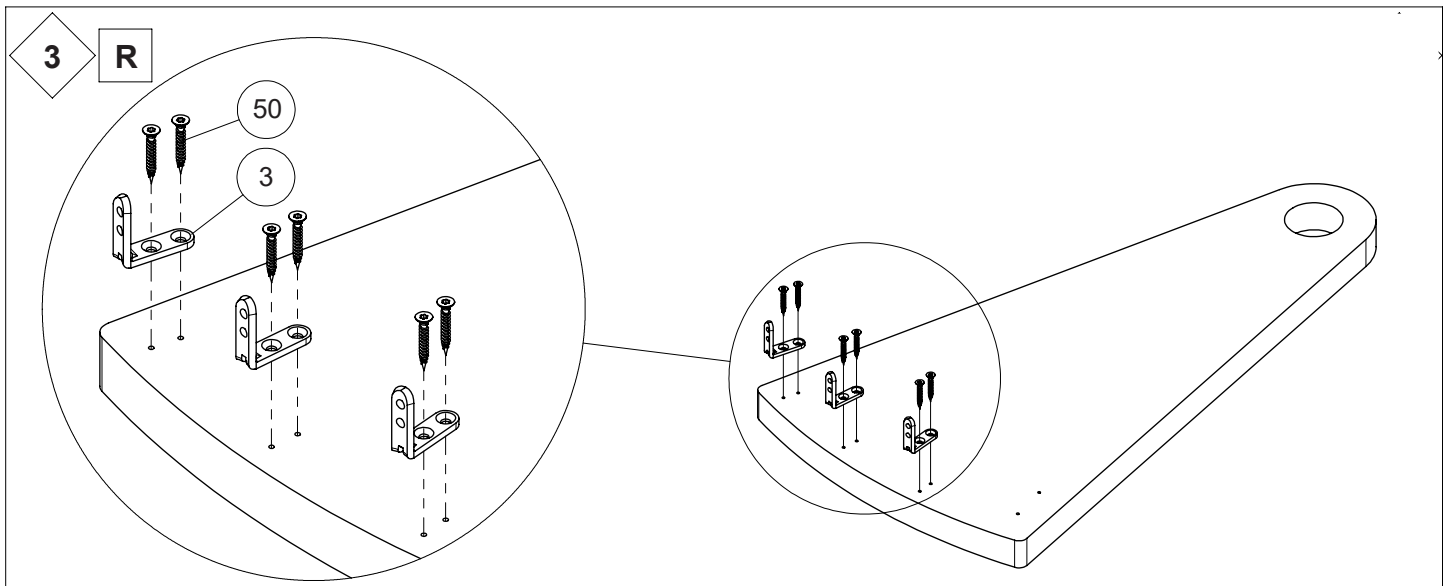
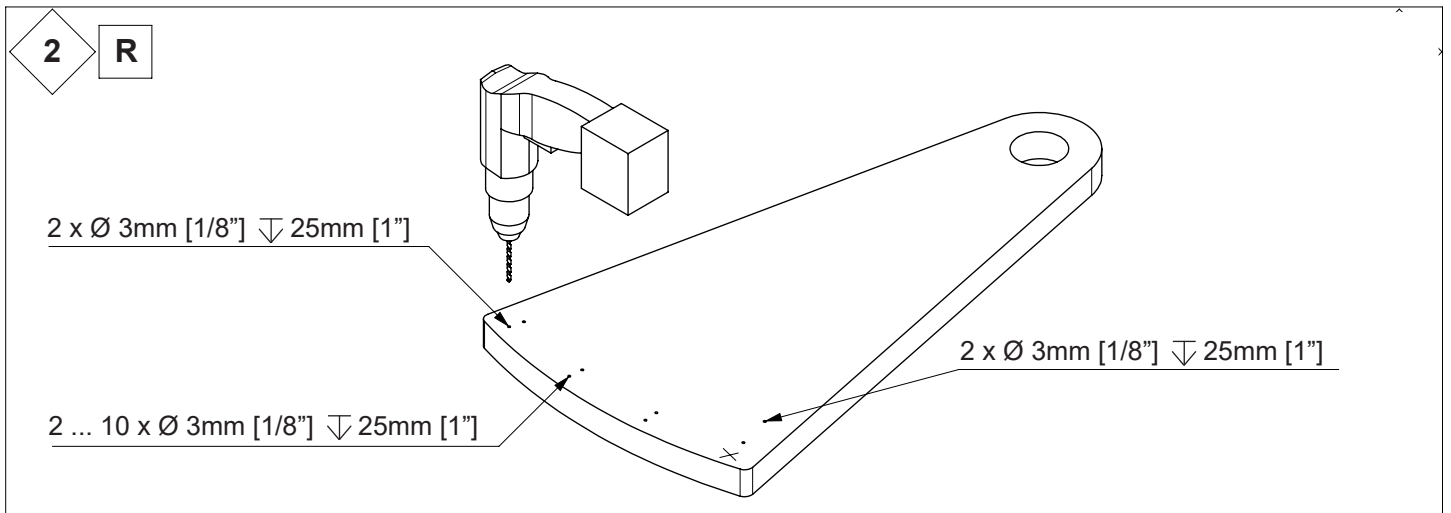
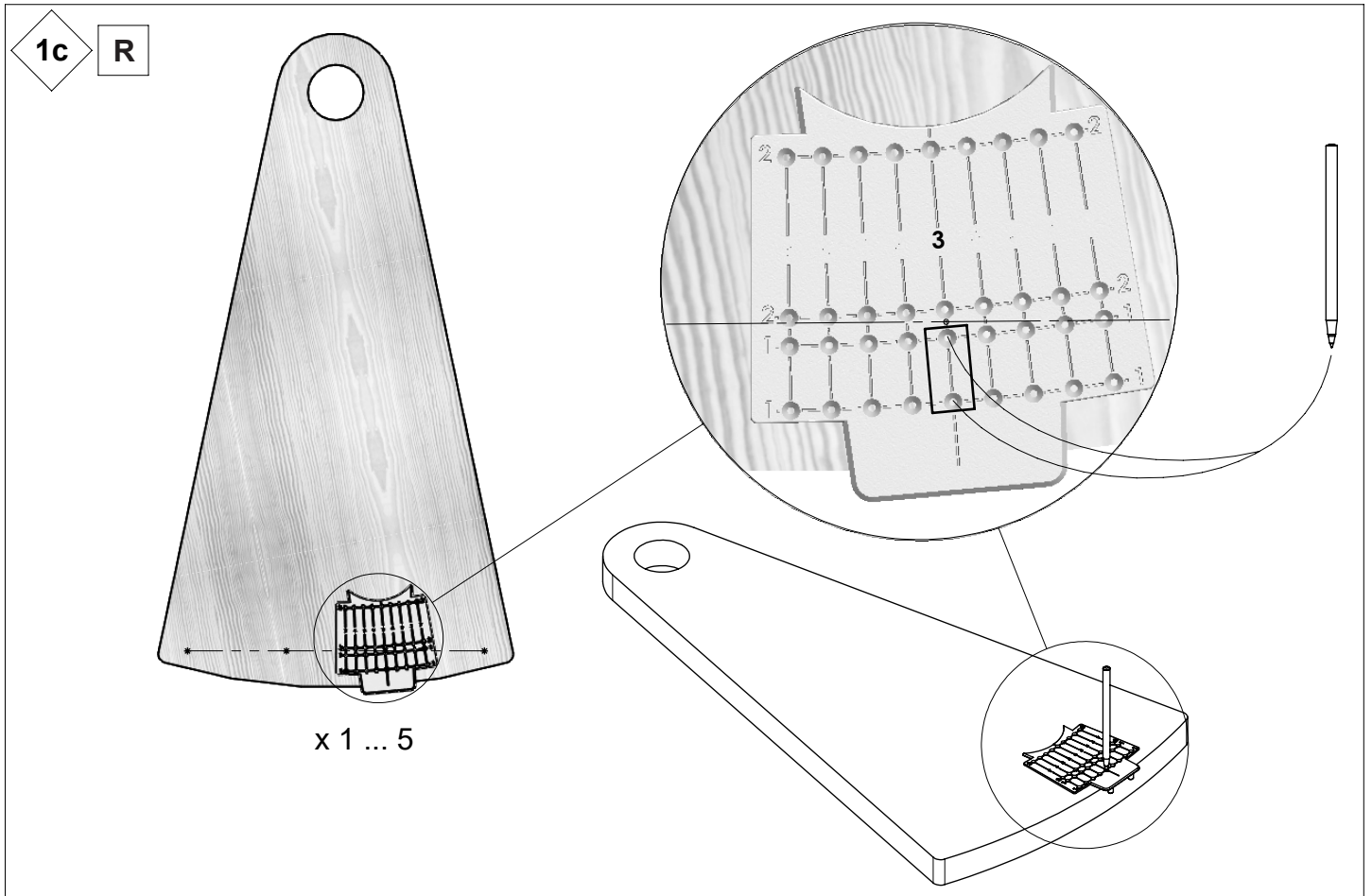
Classic 4

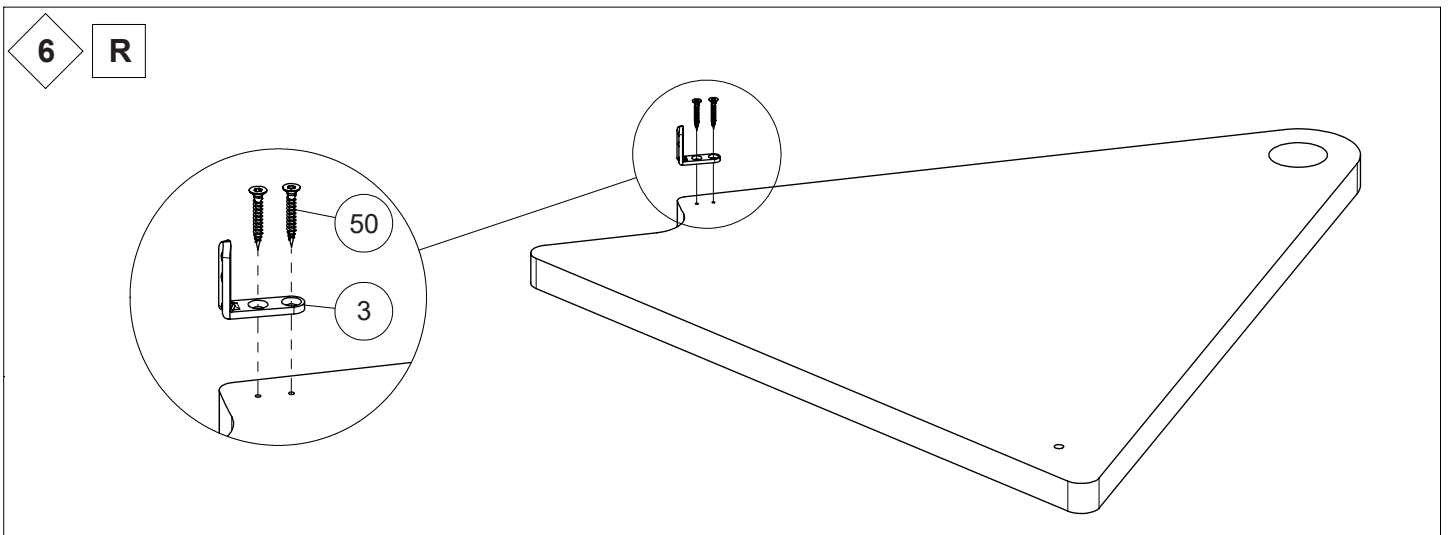
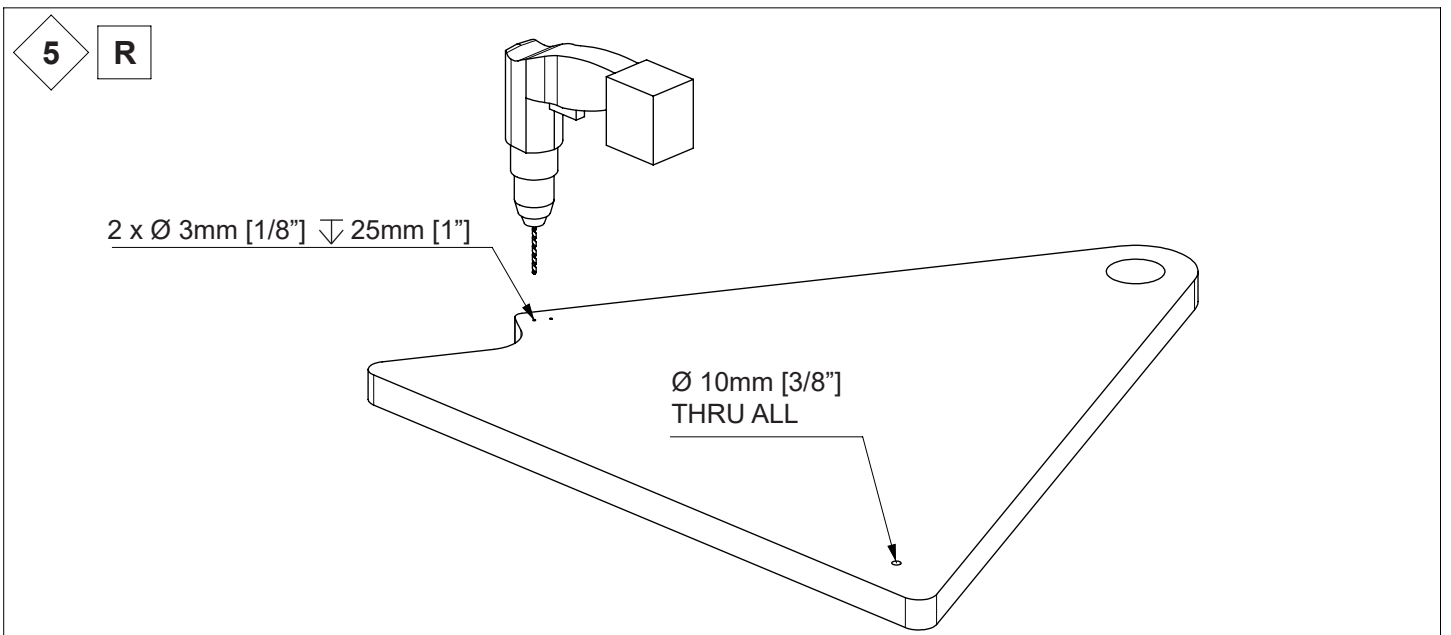
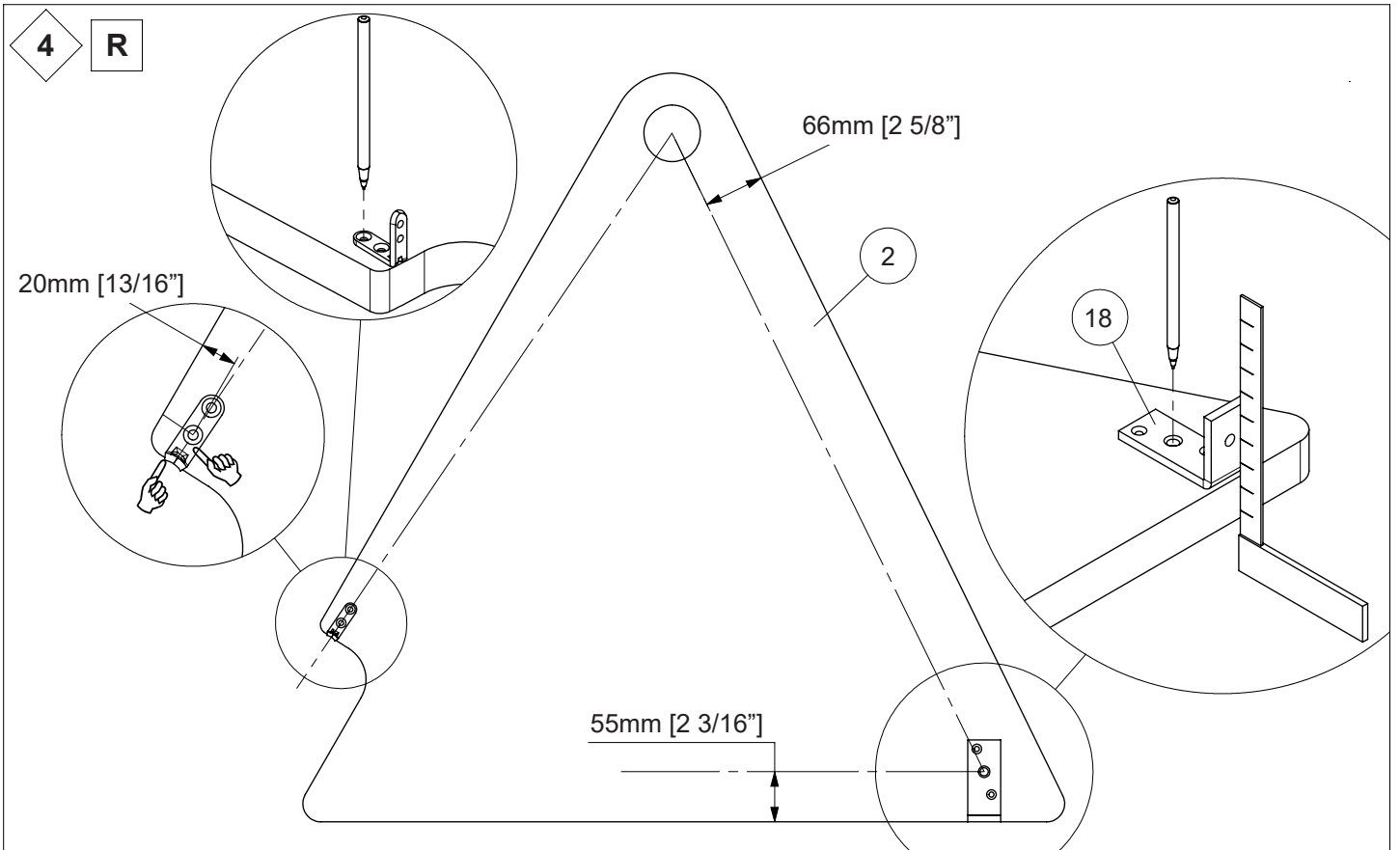
Ø 160 cm [63"]

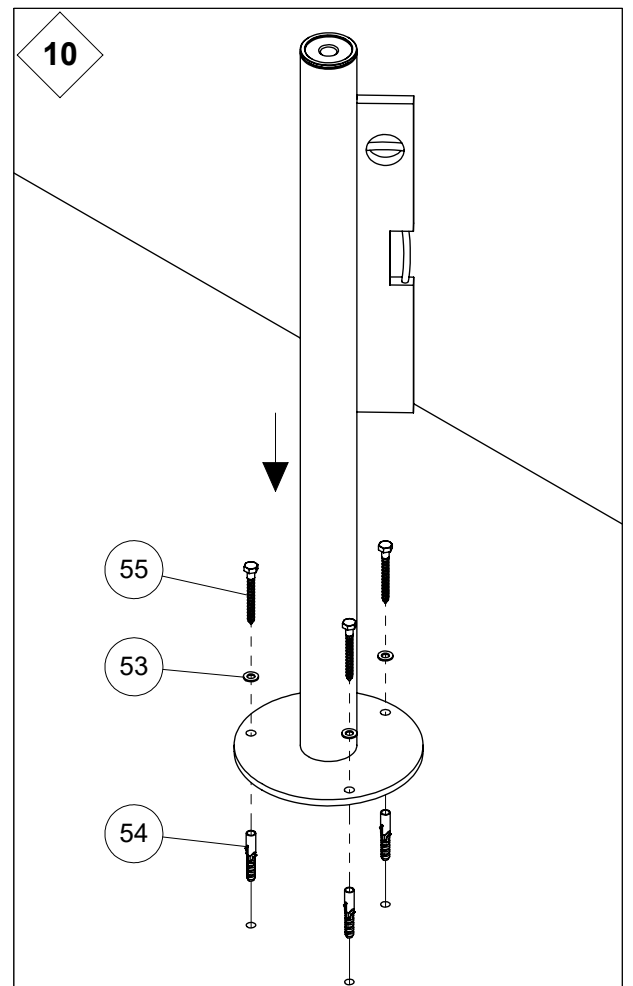
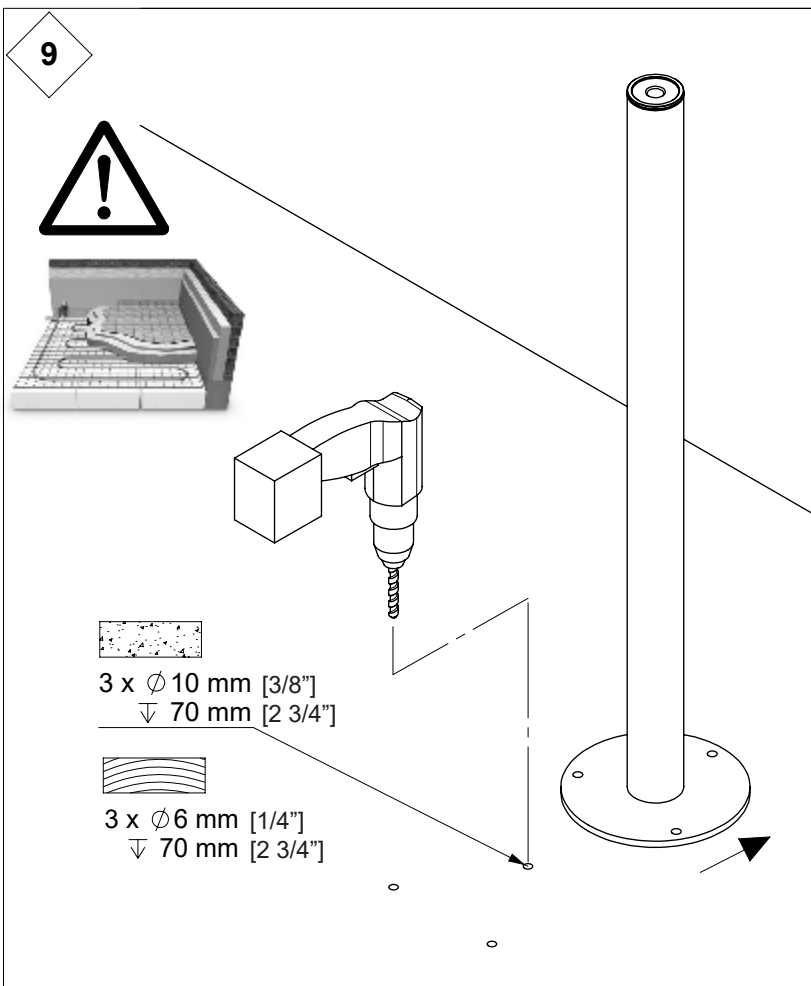
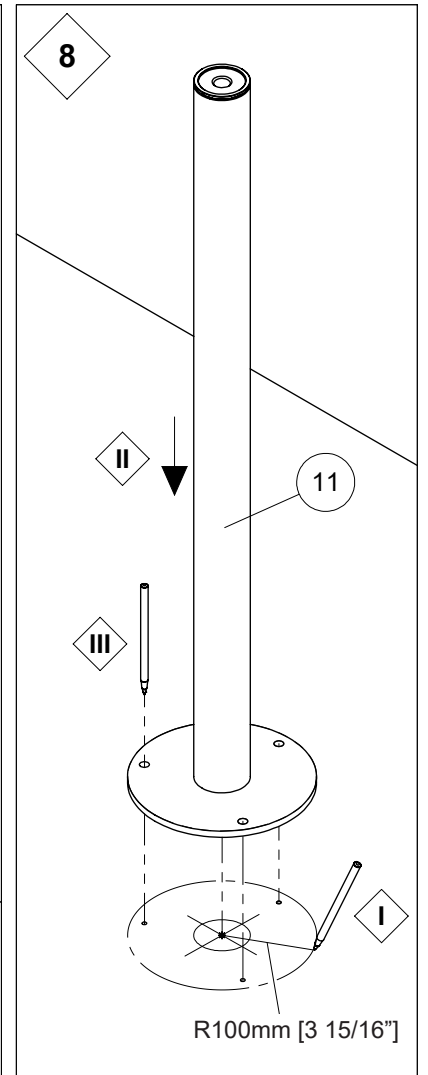
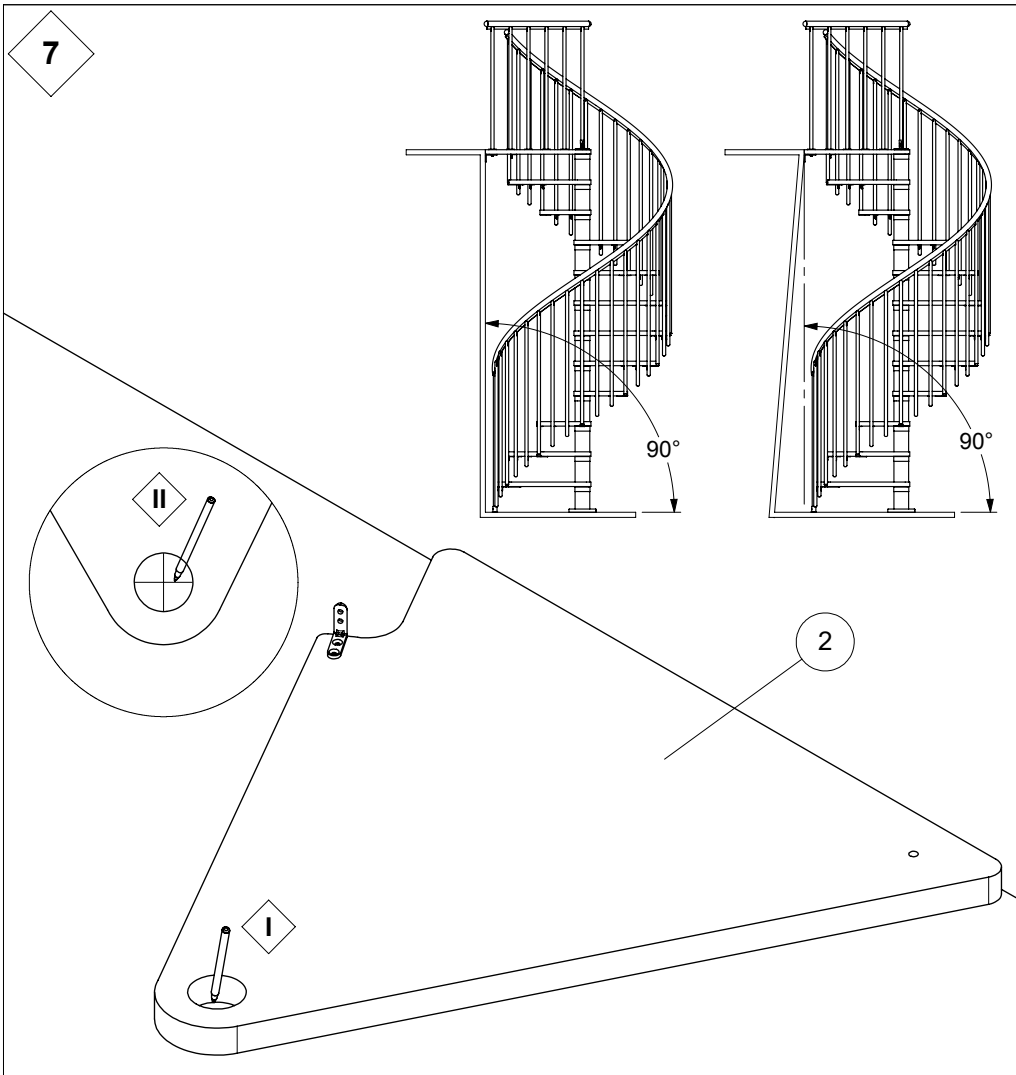
3 x 35

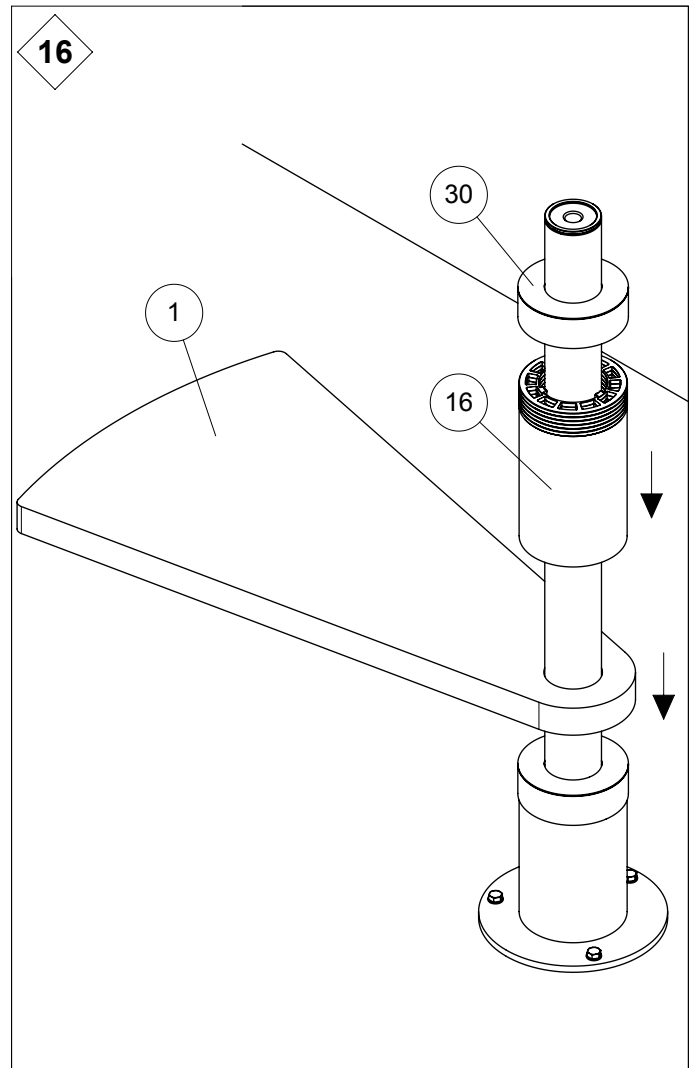
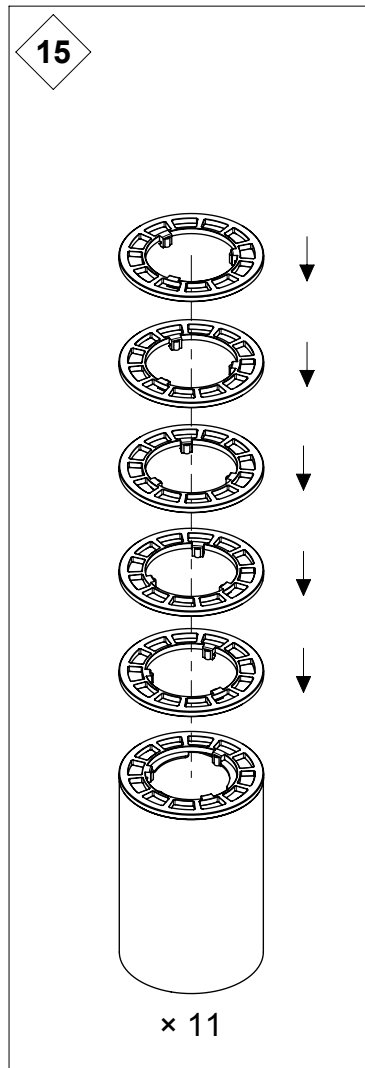
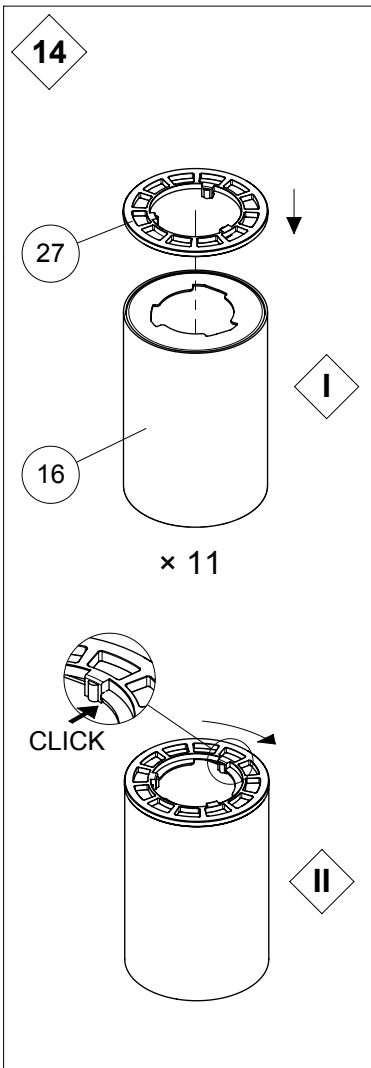
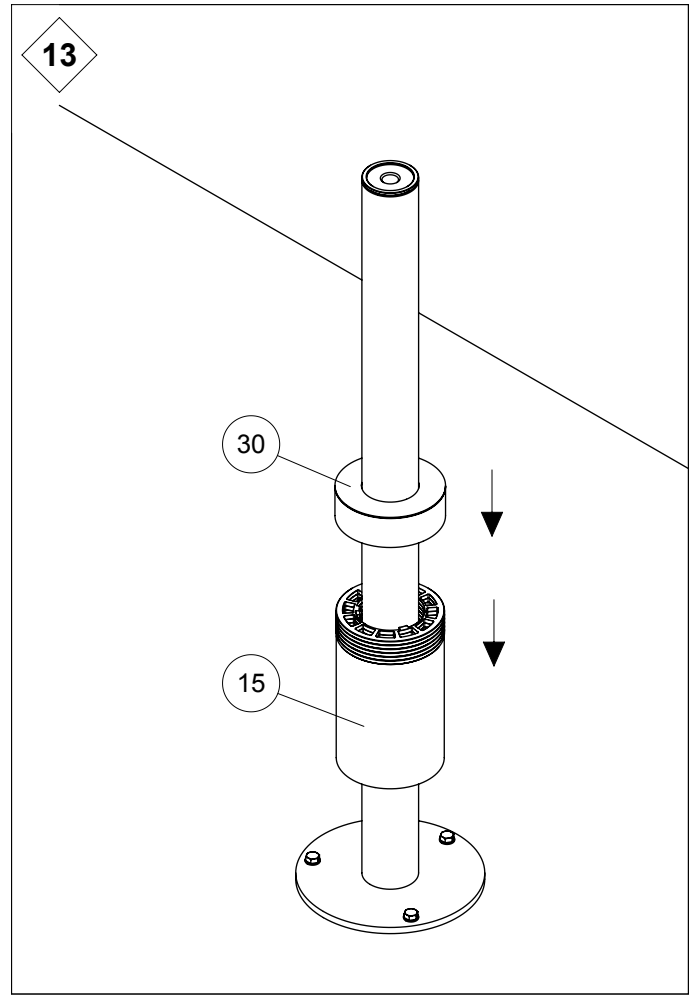
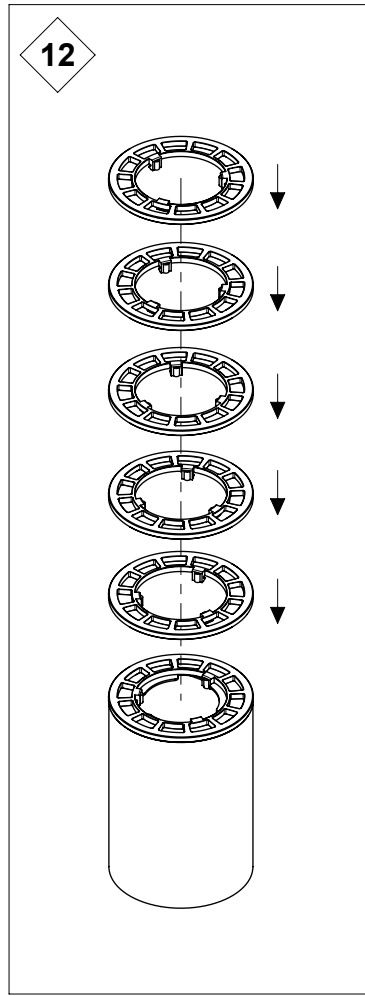
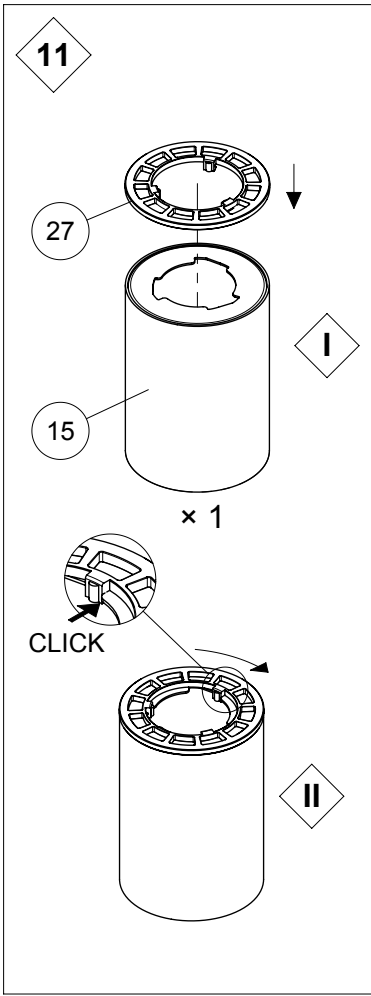


Classic 5

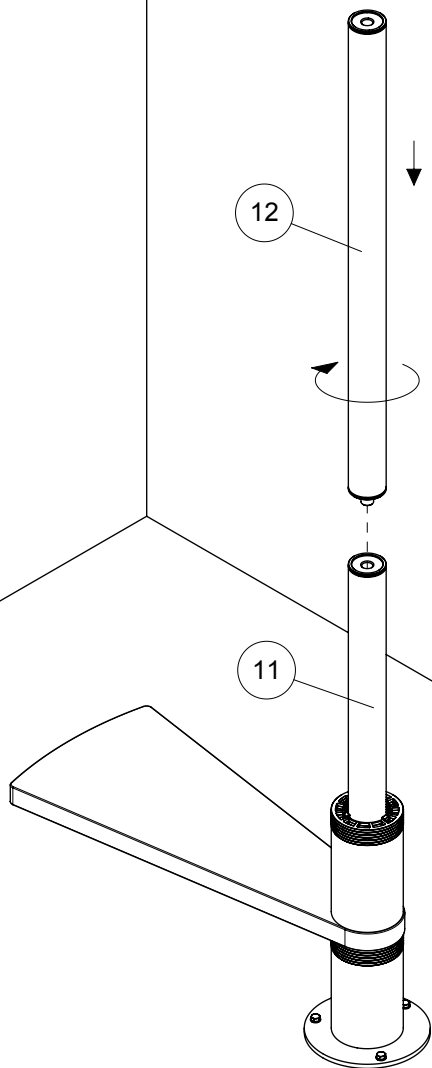




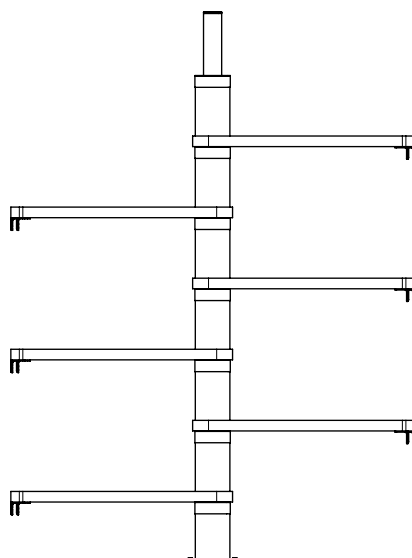
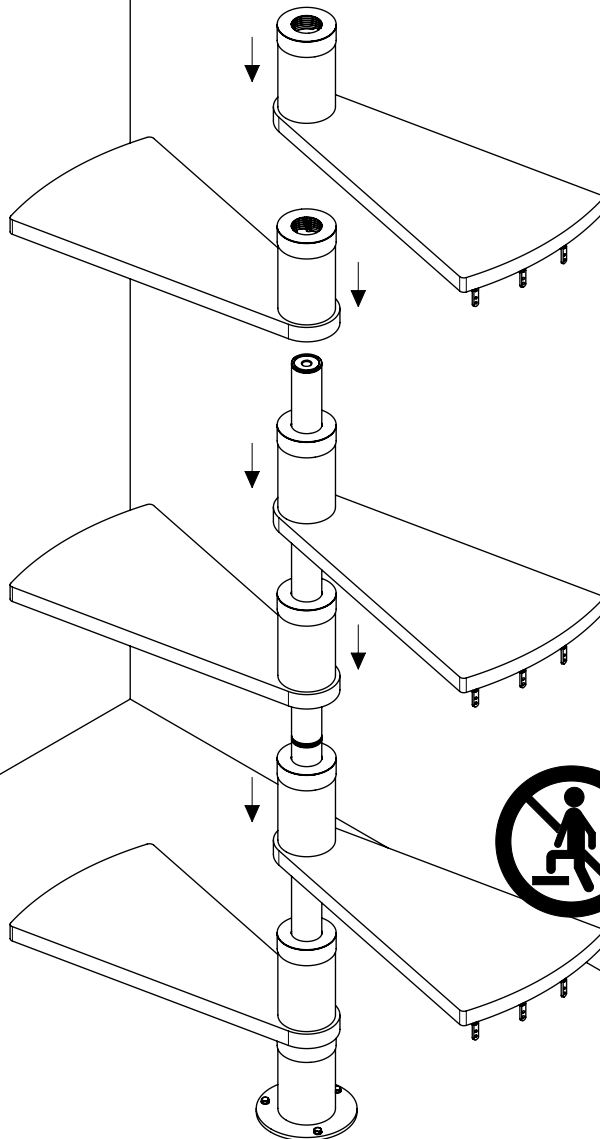


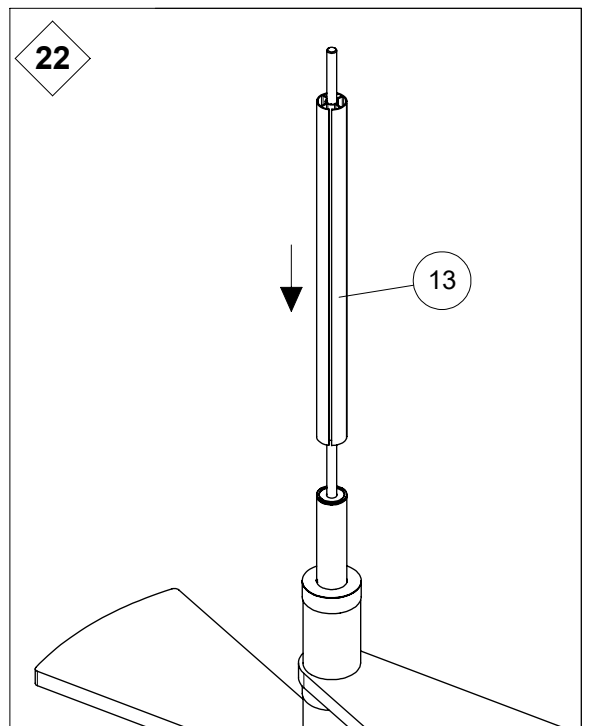
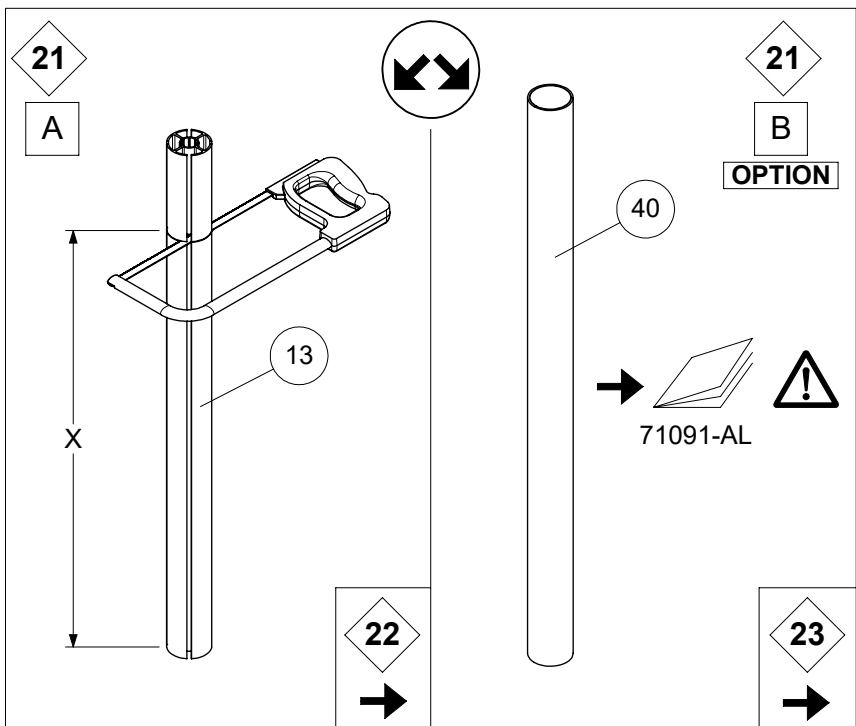
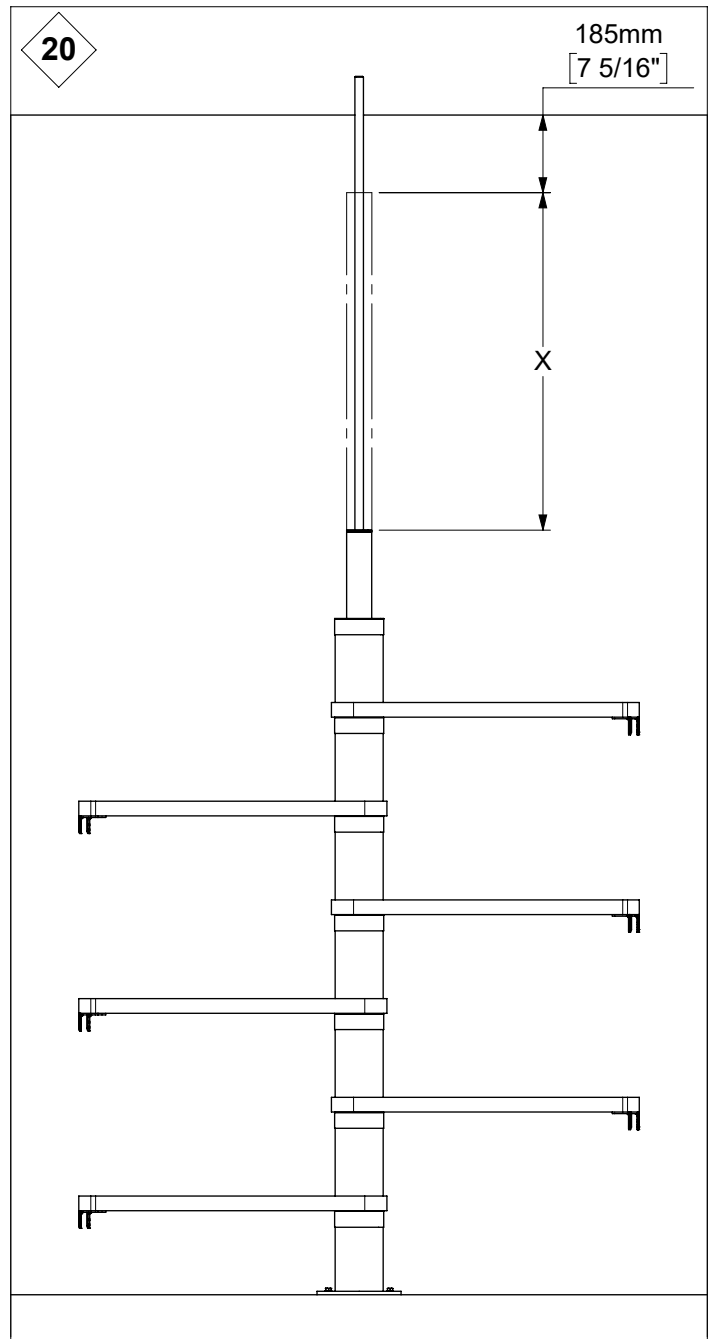
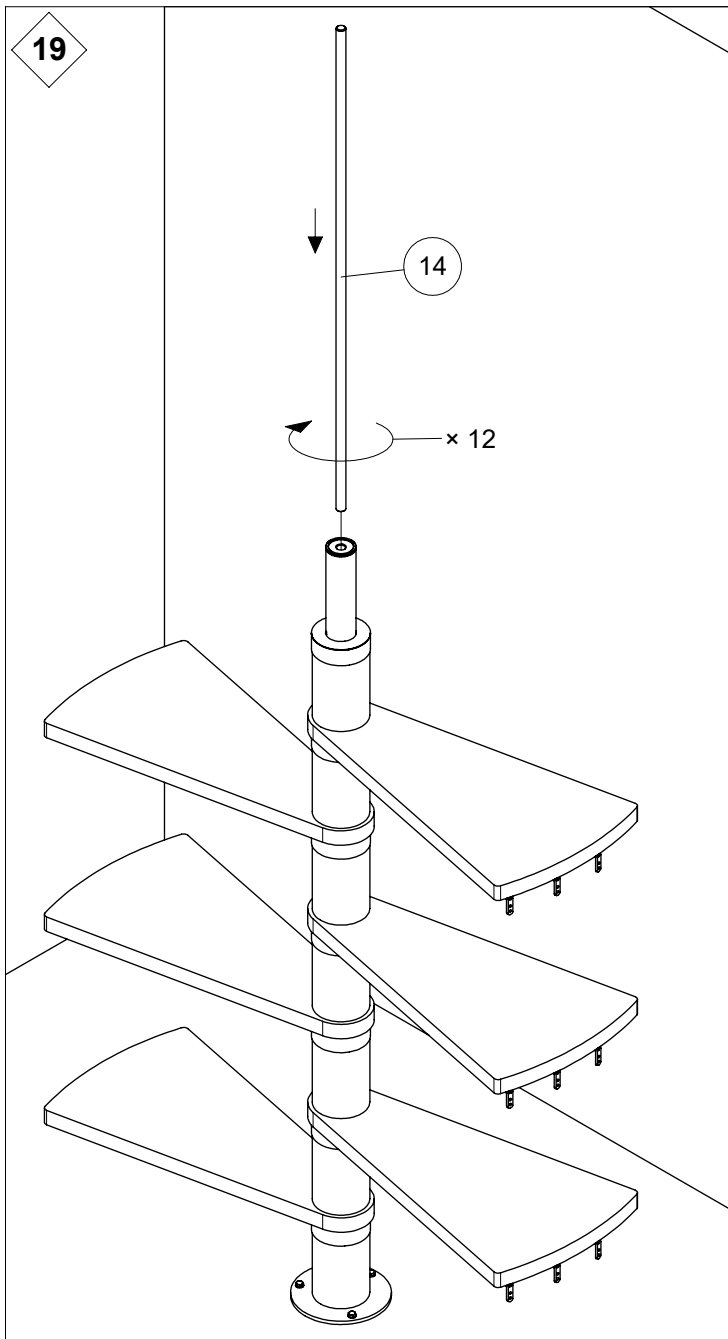


17

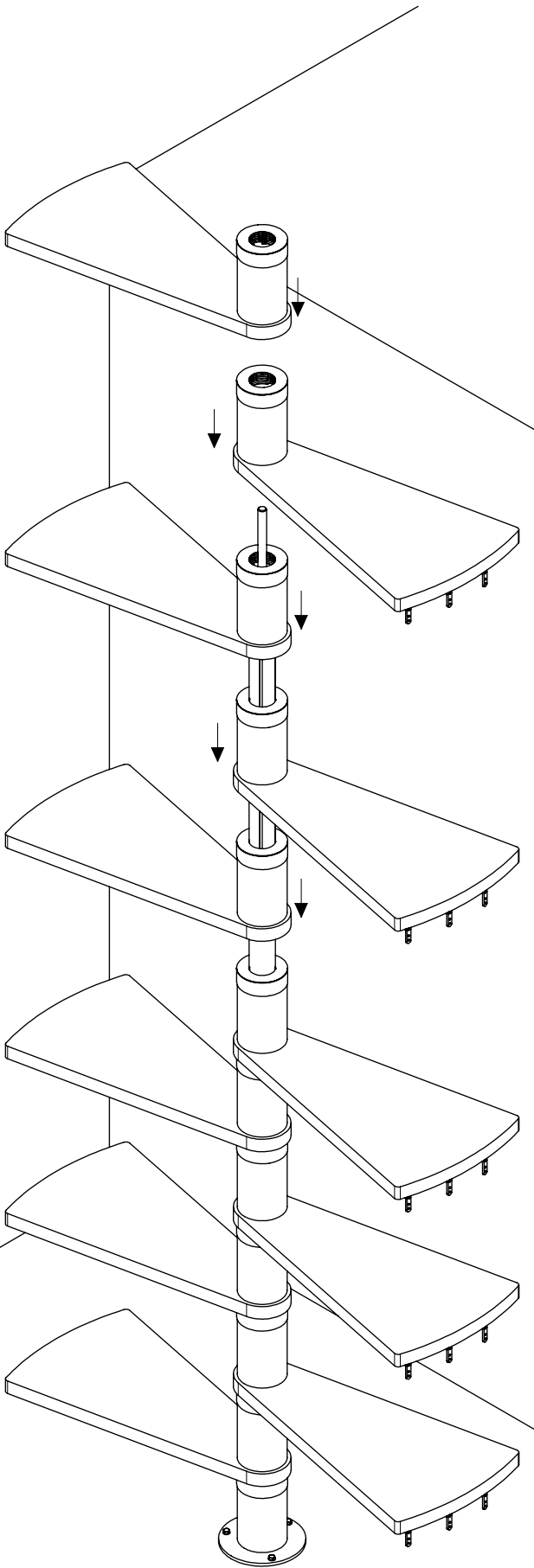


18





23



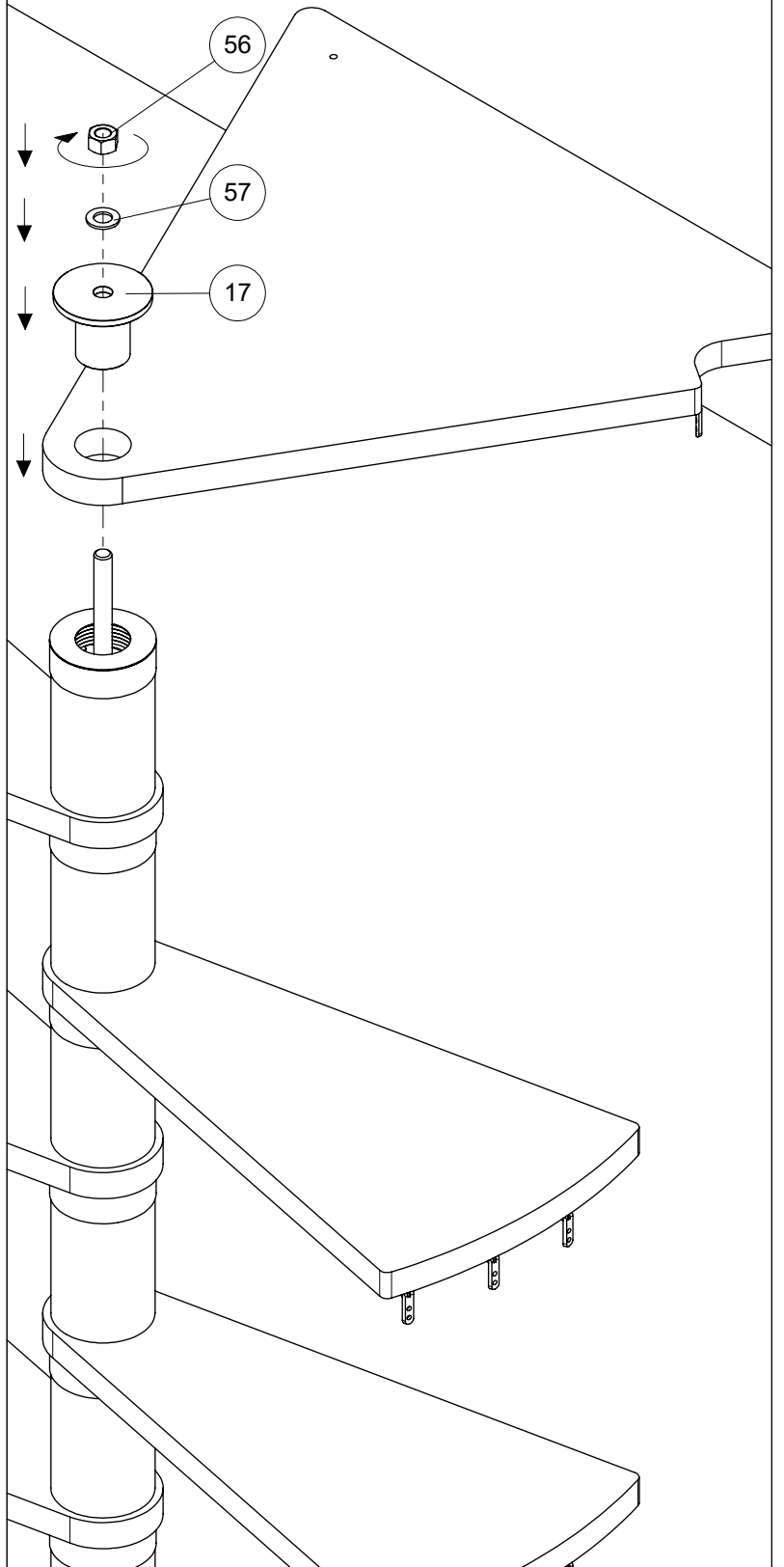
24

28

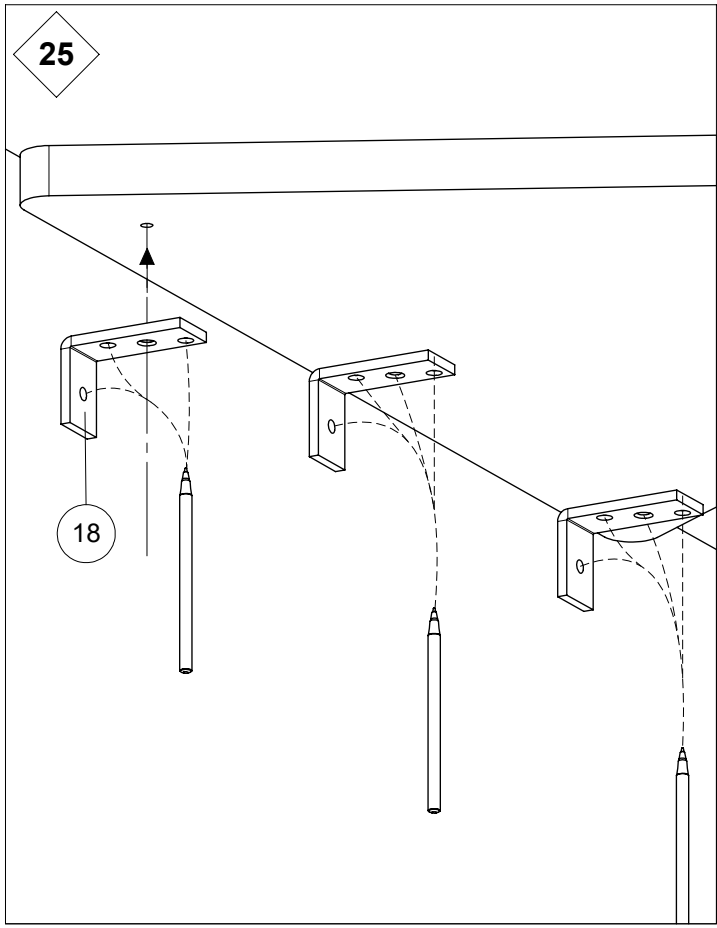
29

37

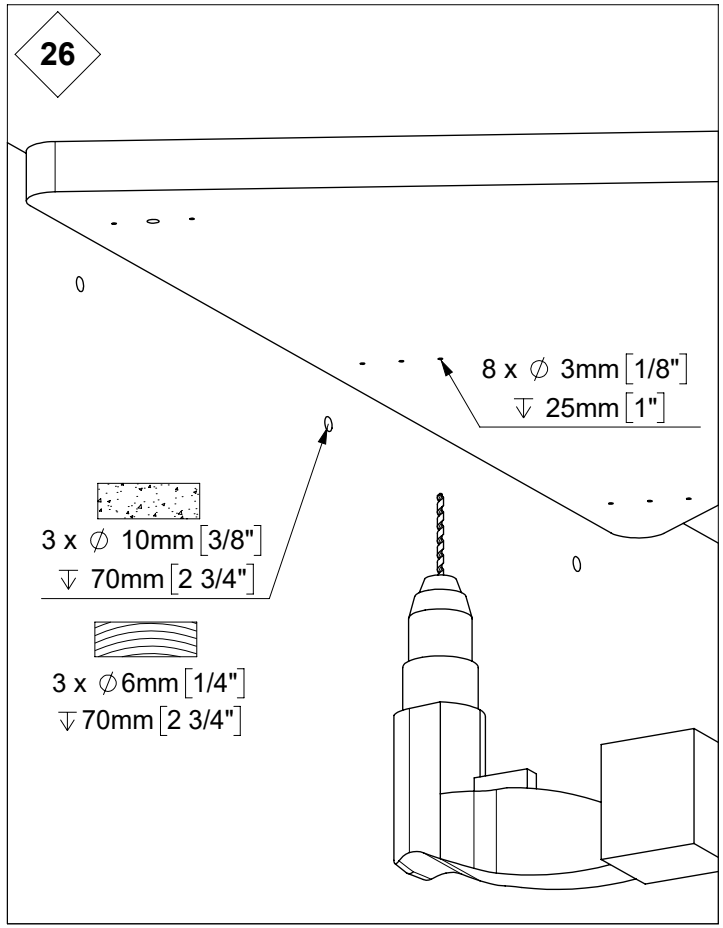
24



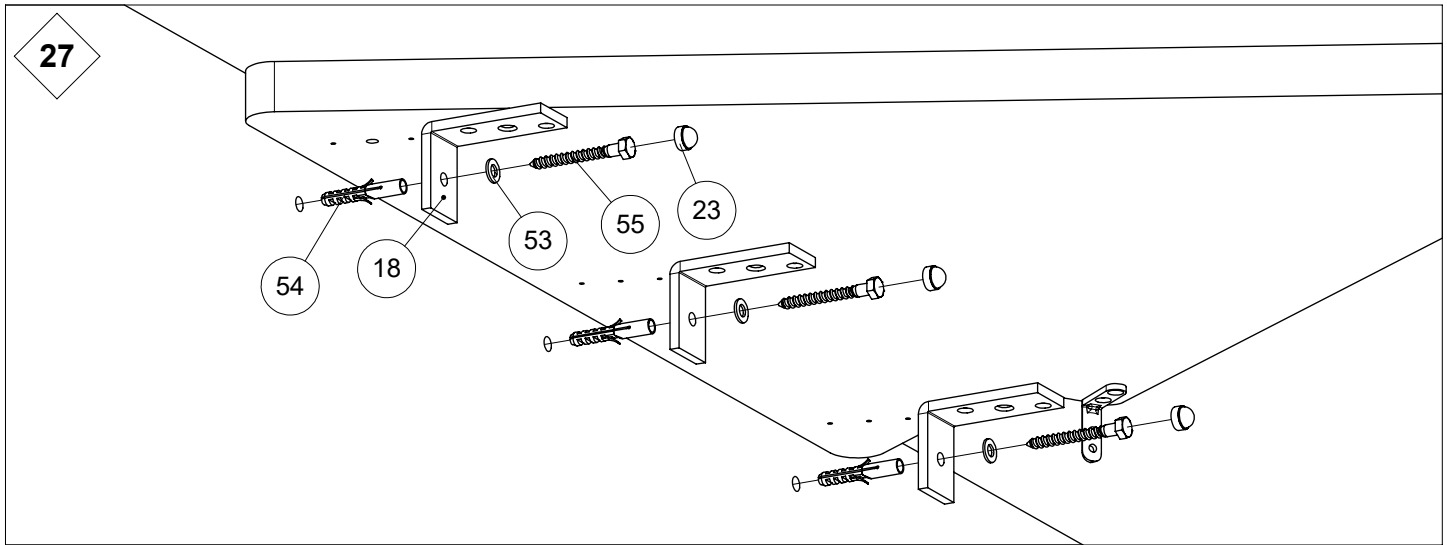
25



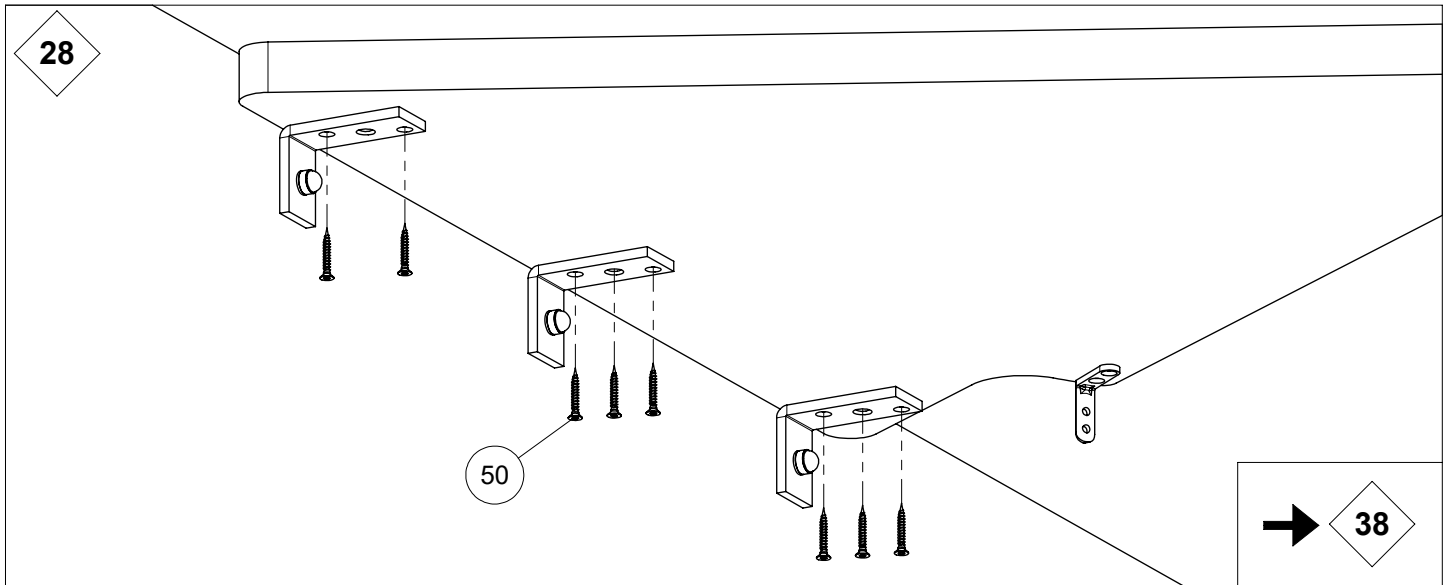
26

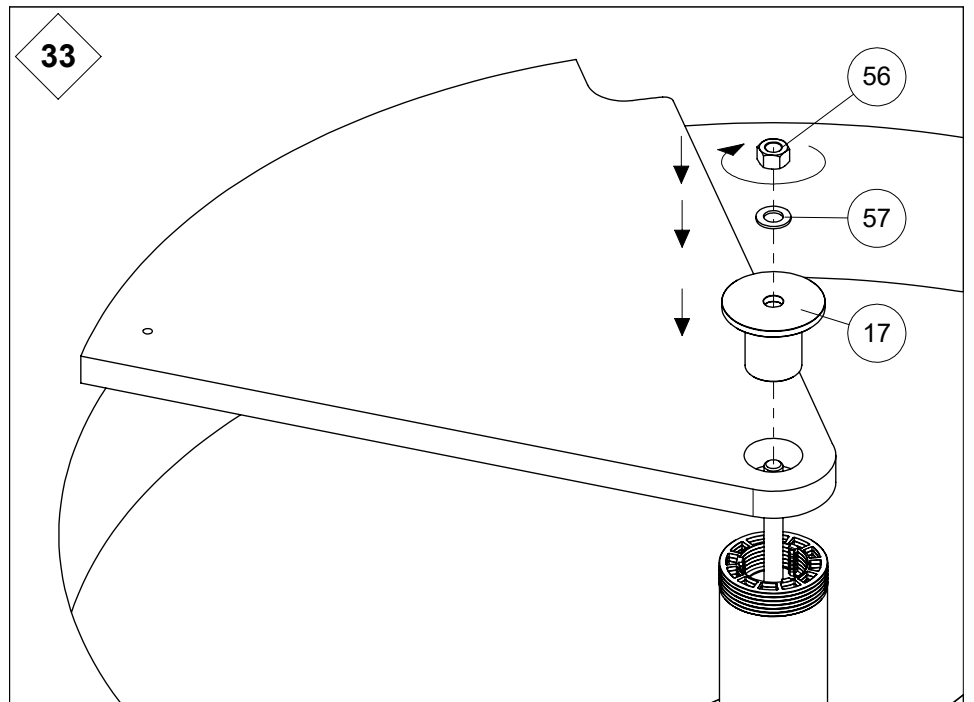
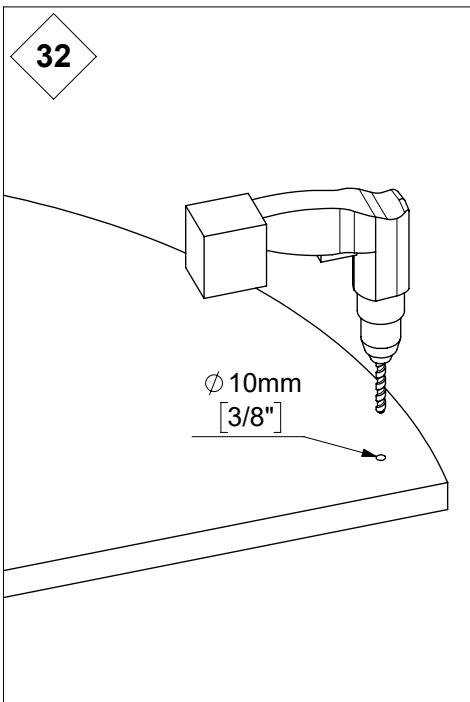
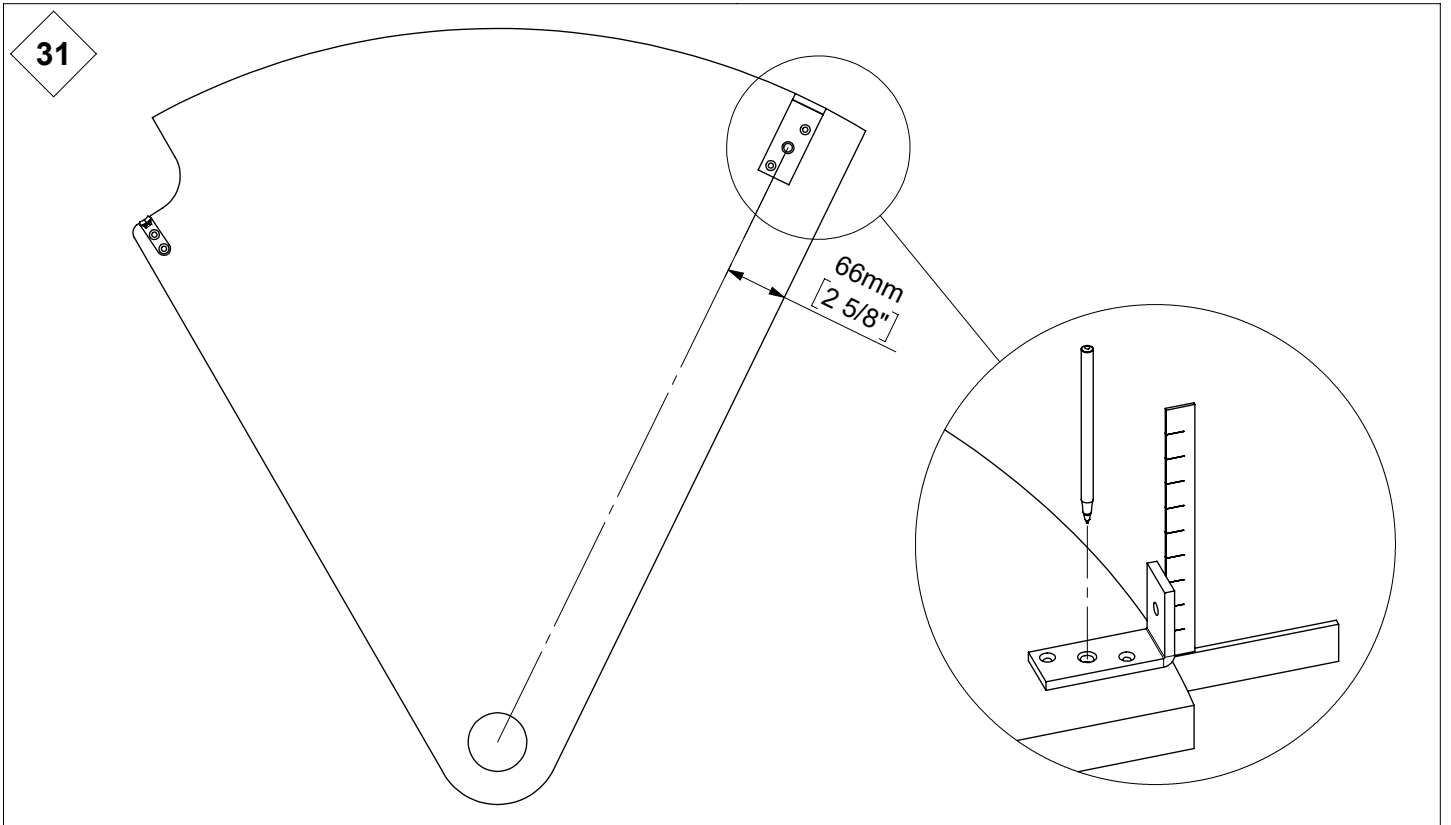
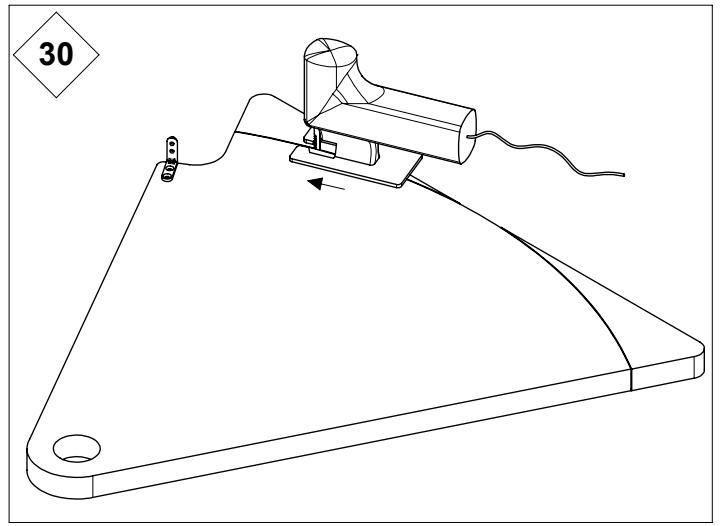
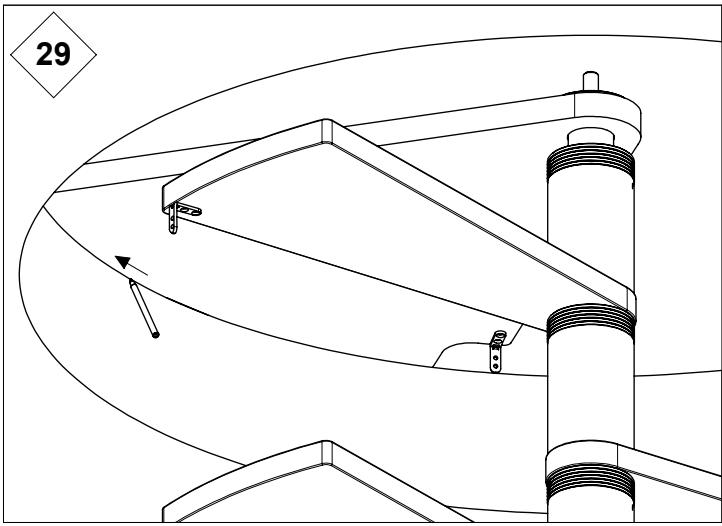


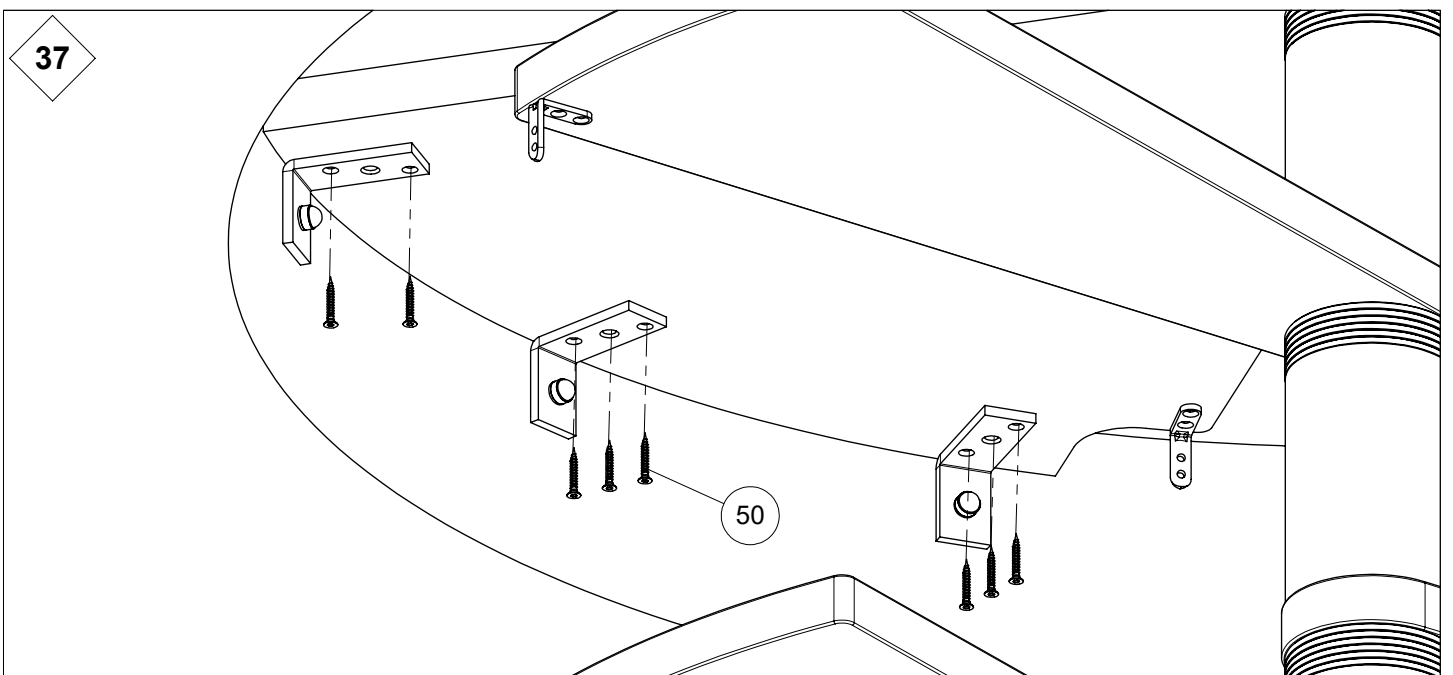
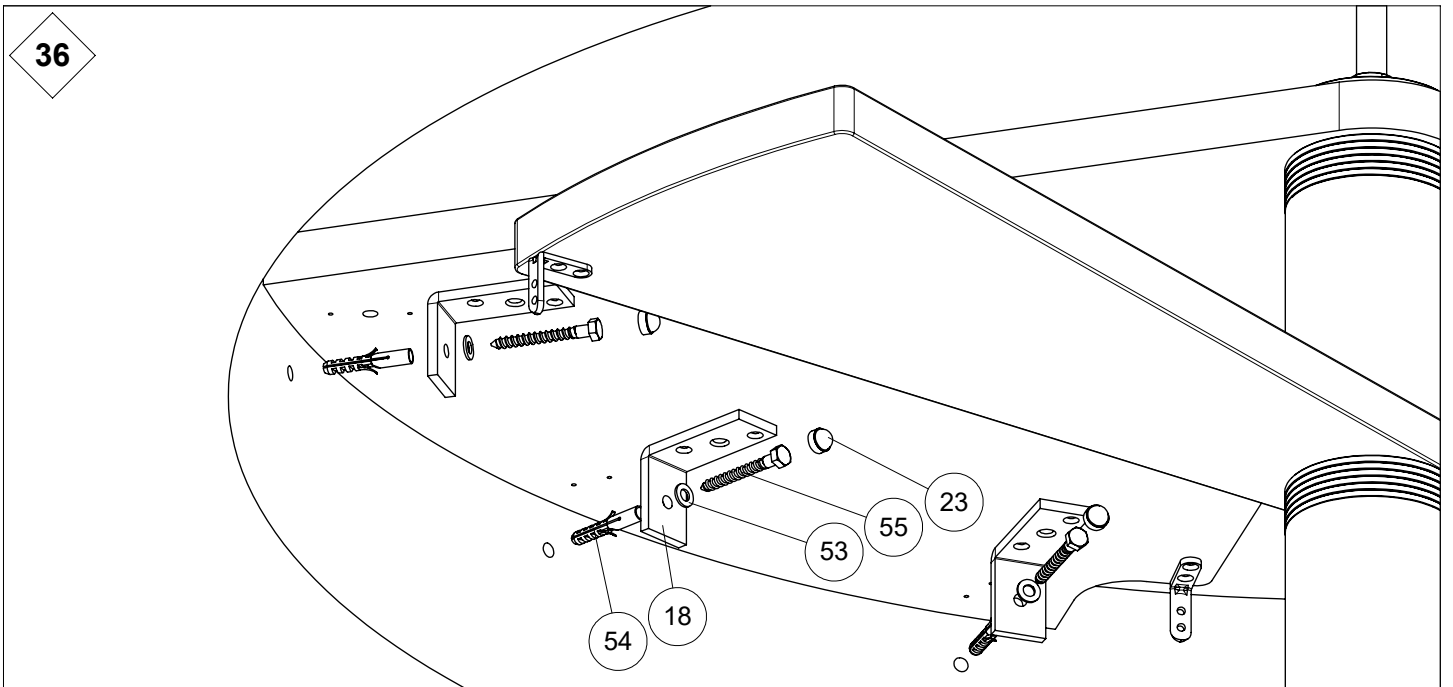
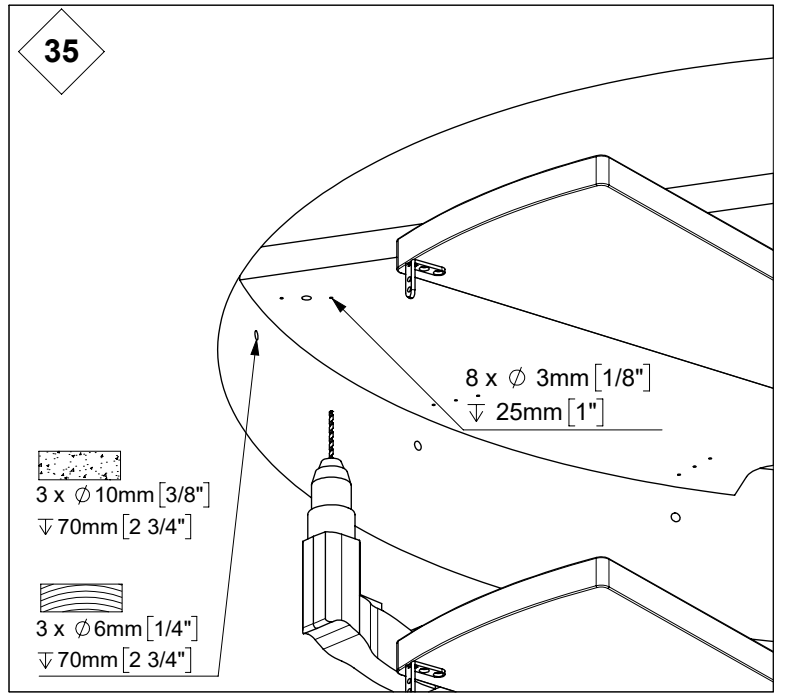
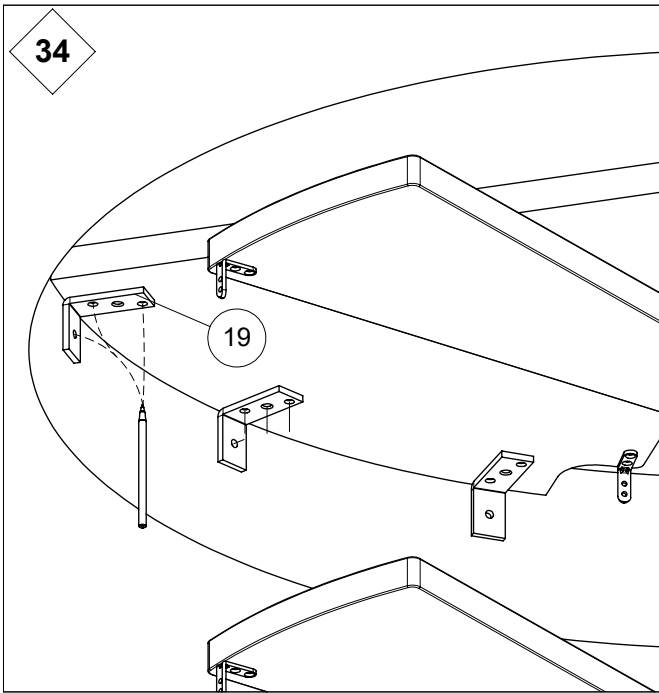
27

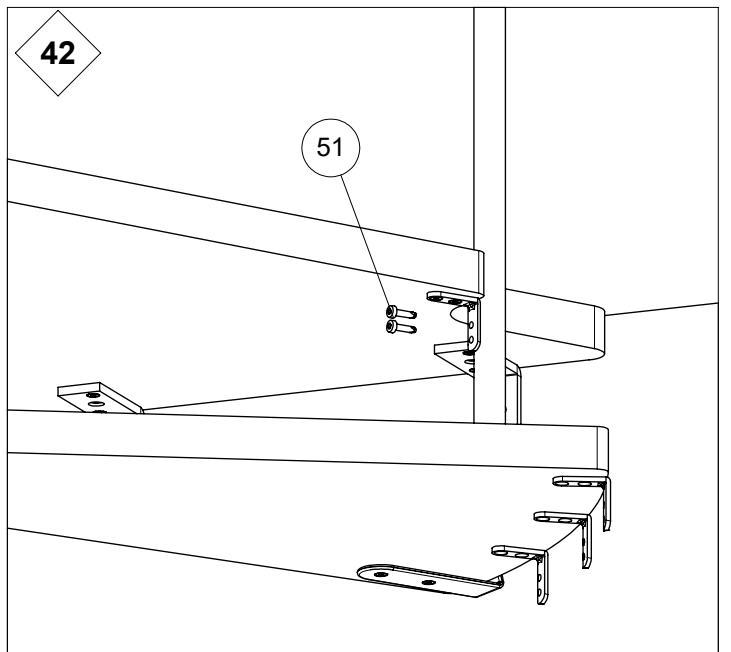
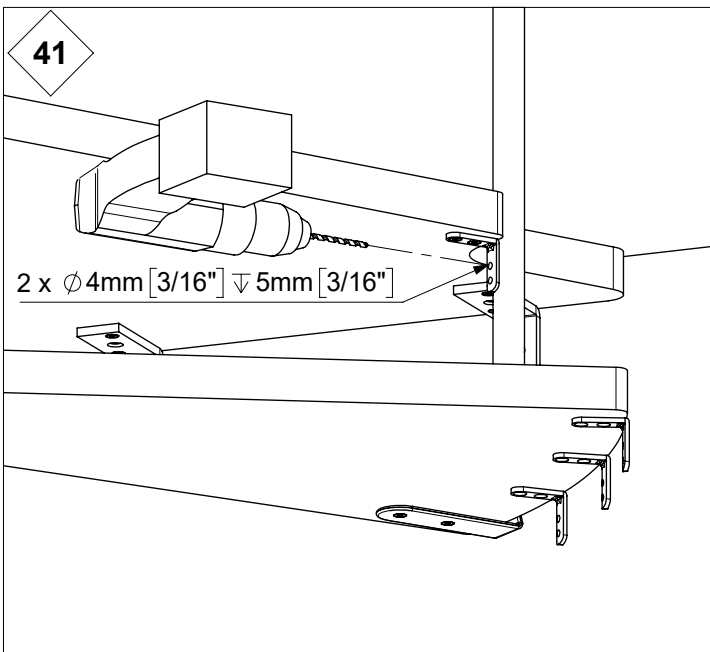
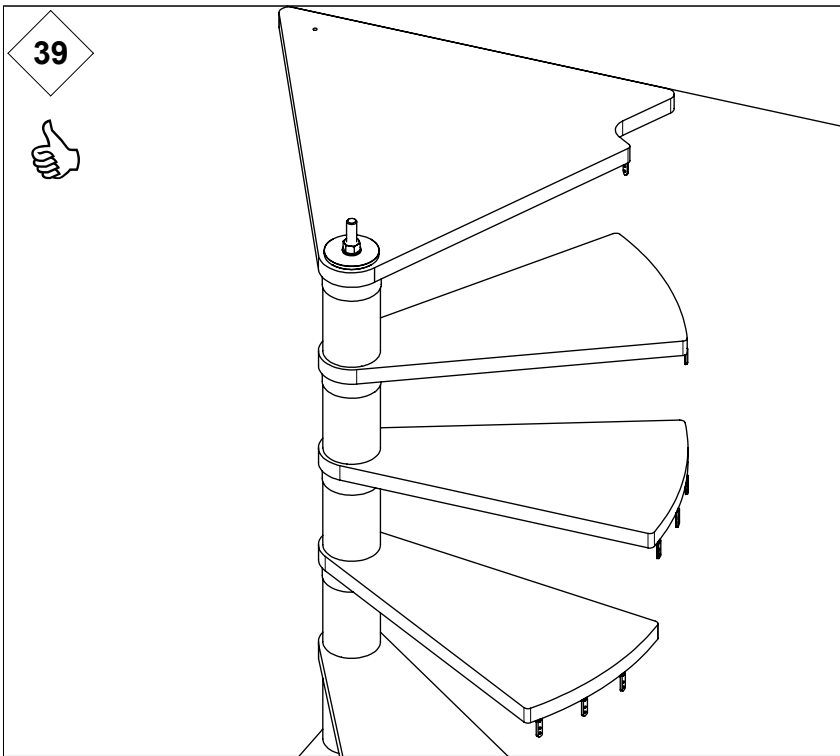
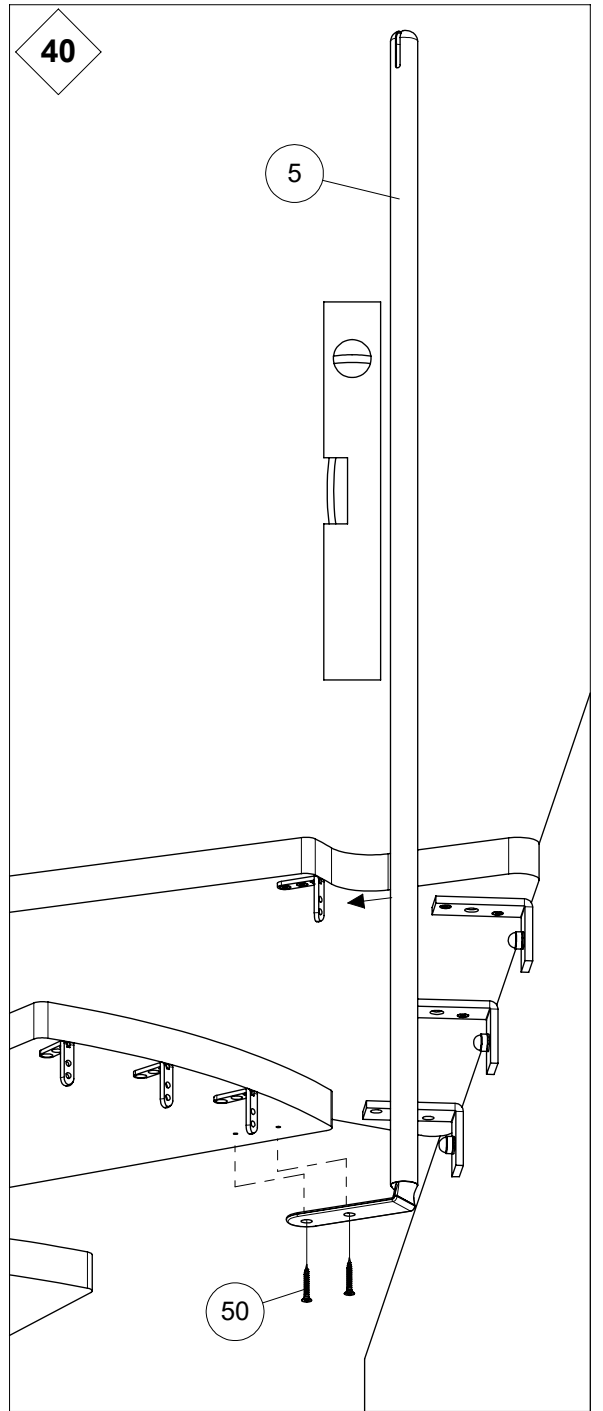
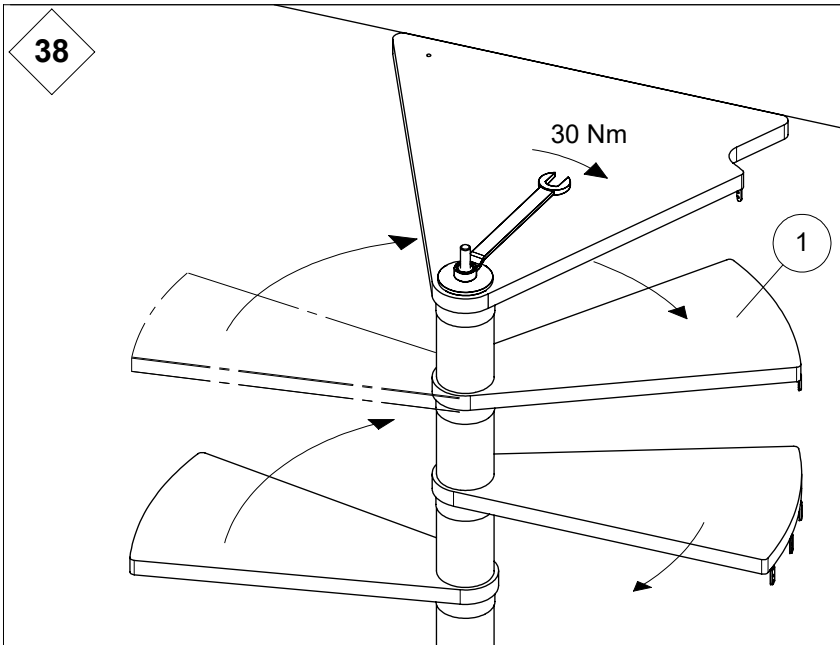


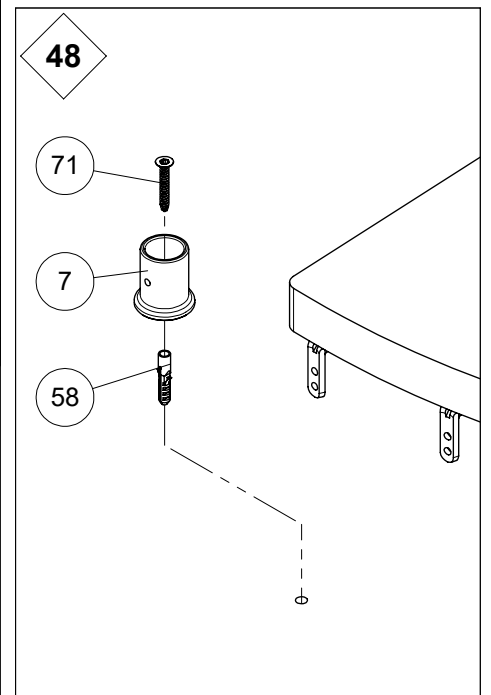
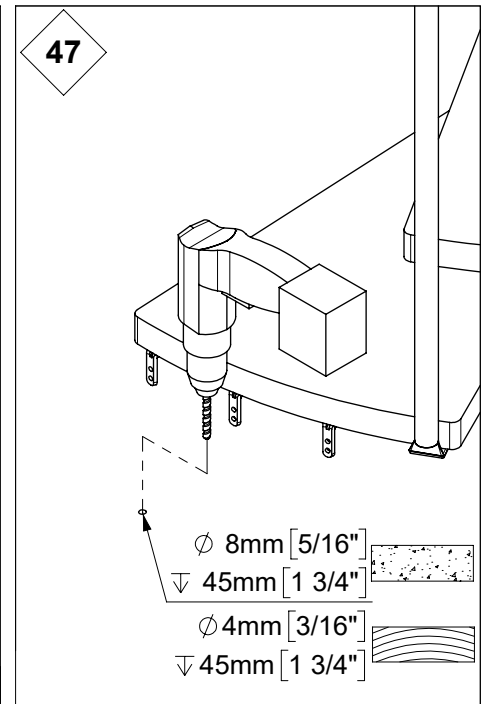
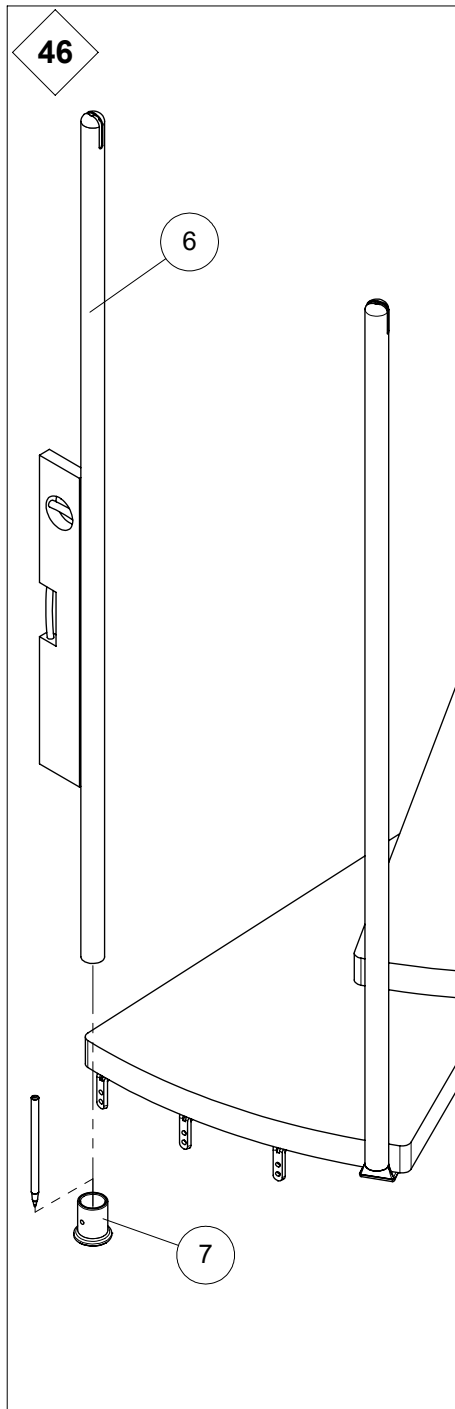
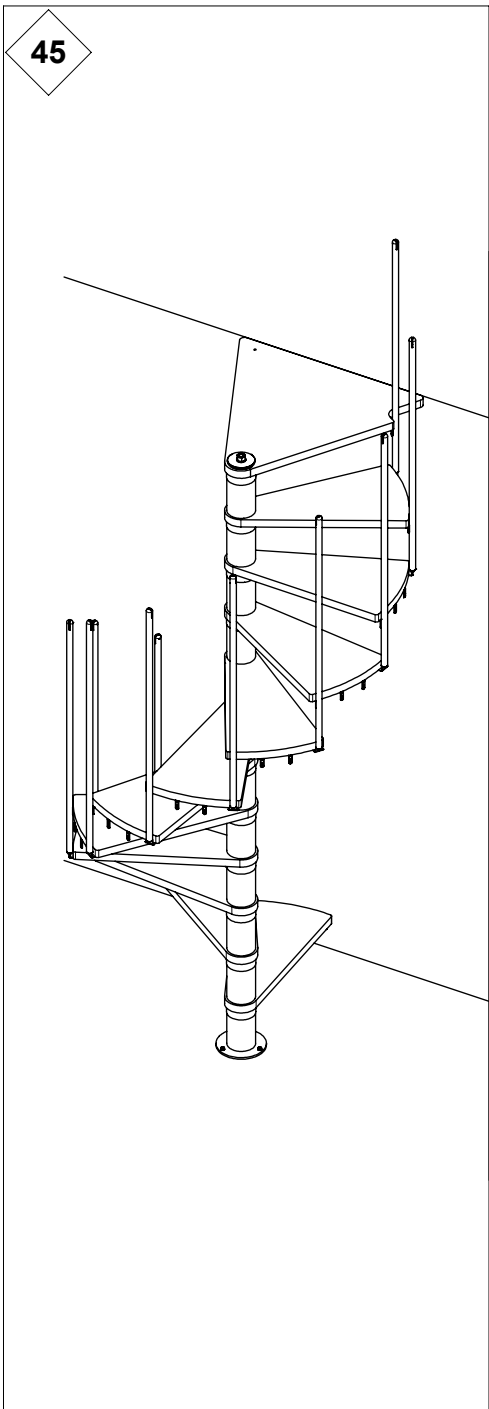
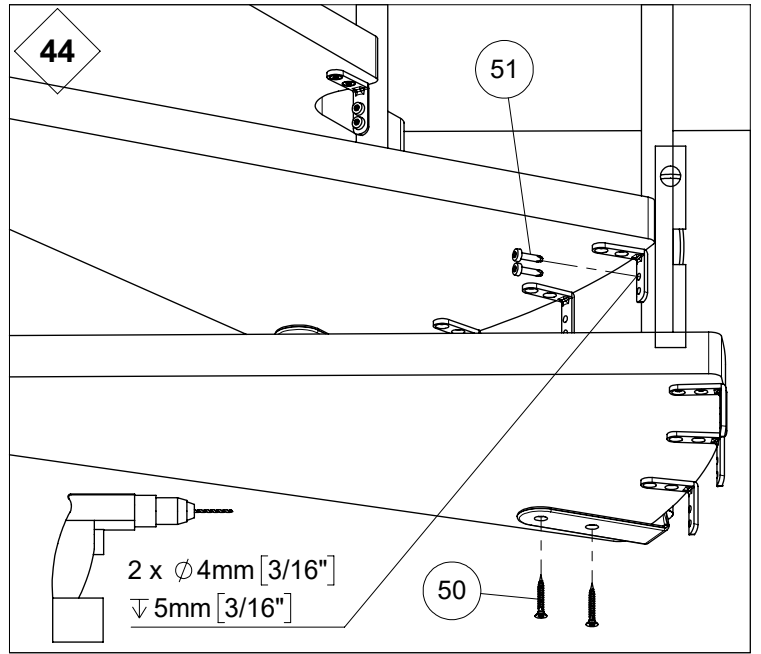
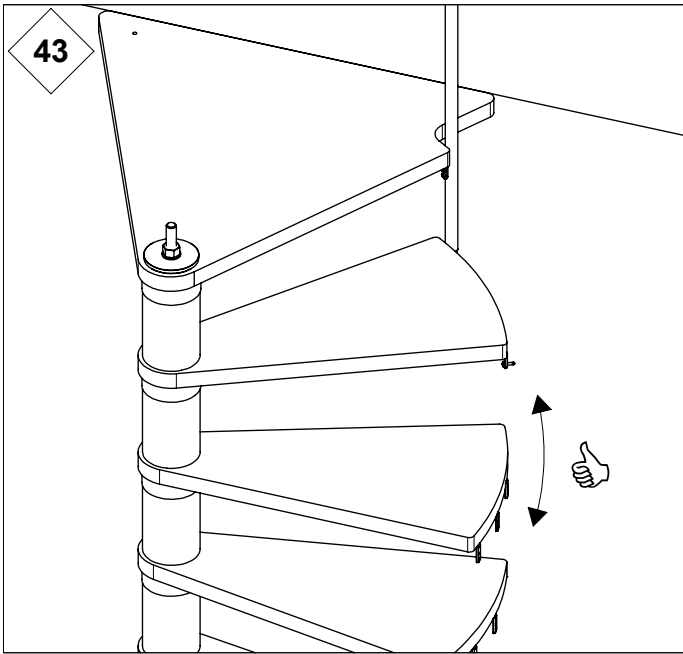
28

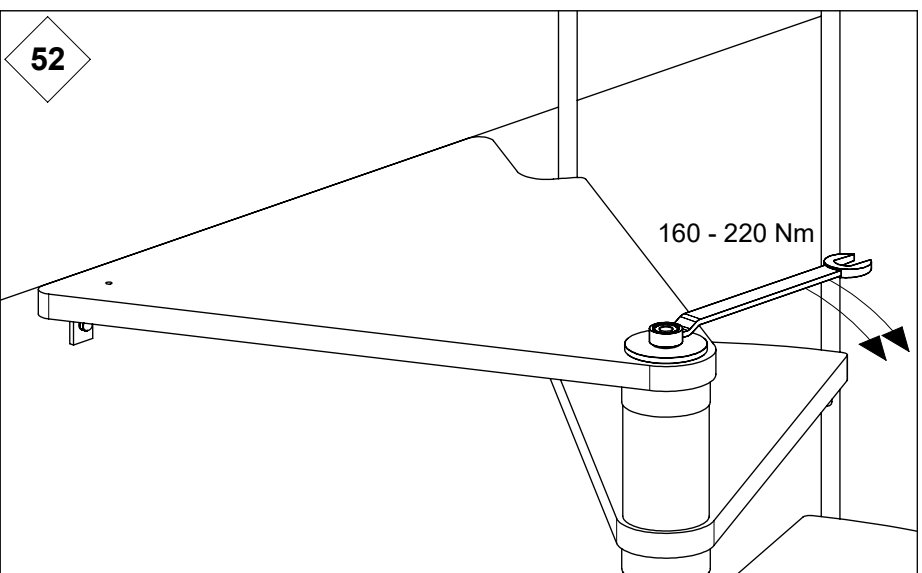
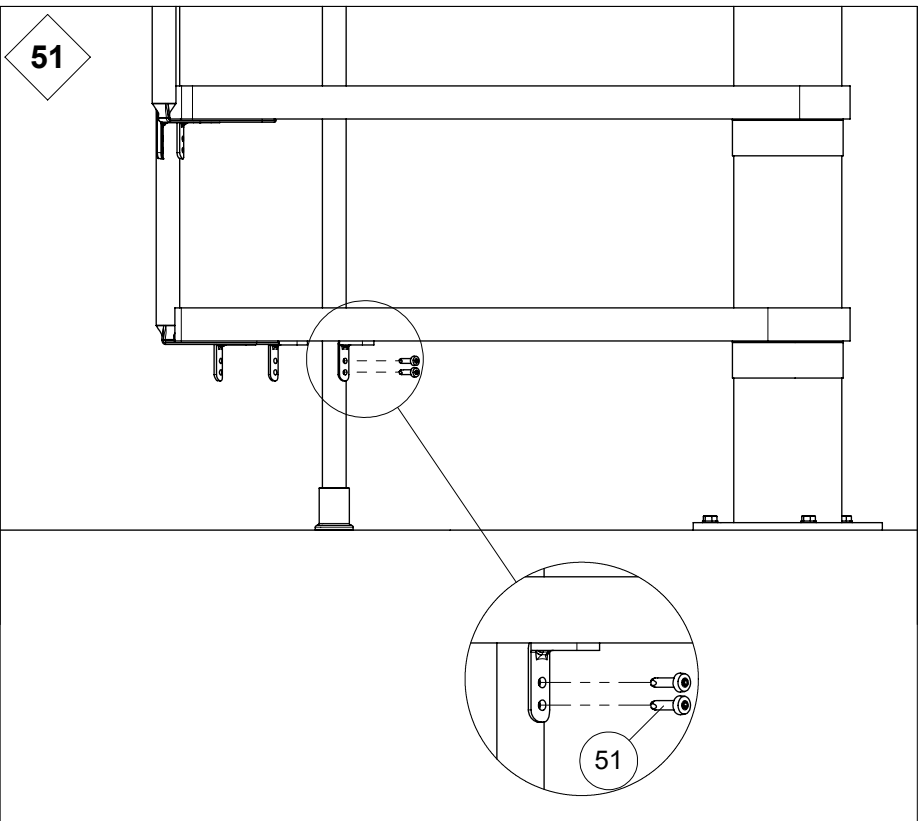
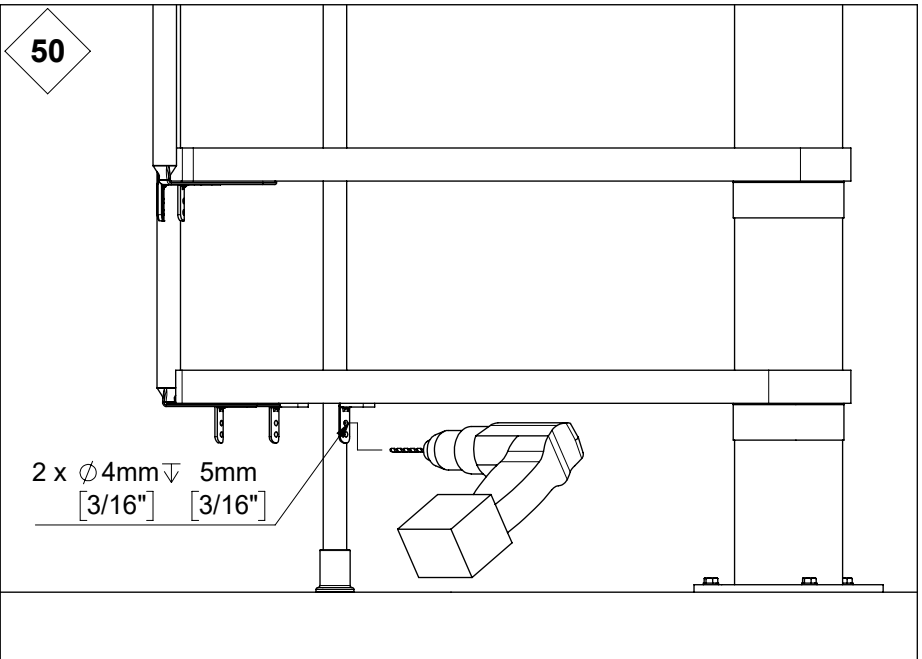
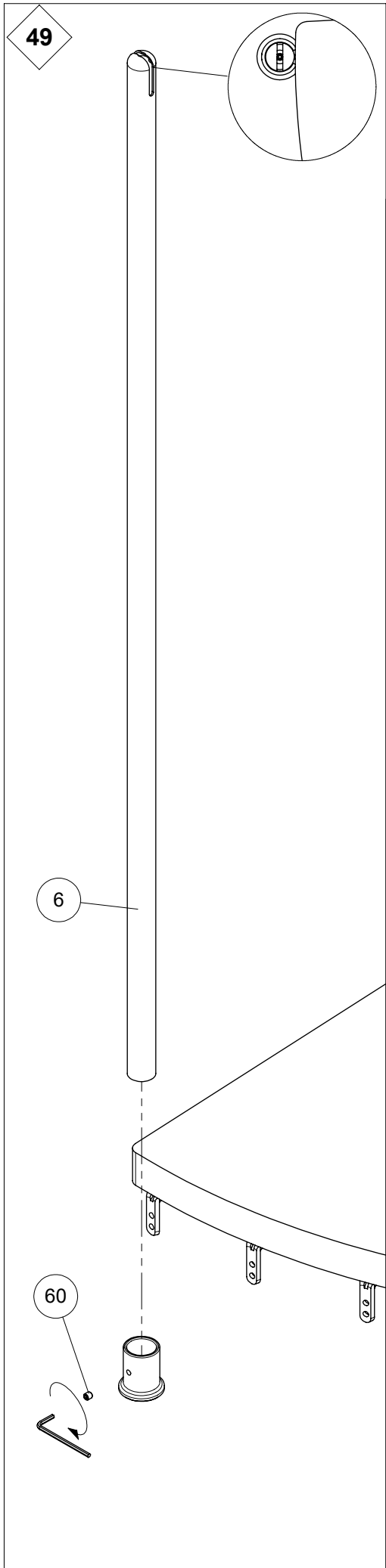




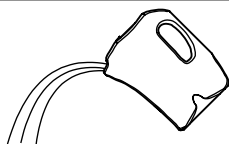




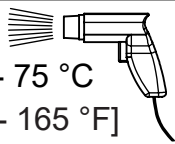




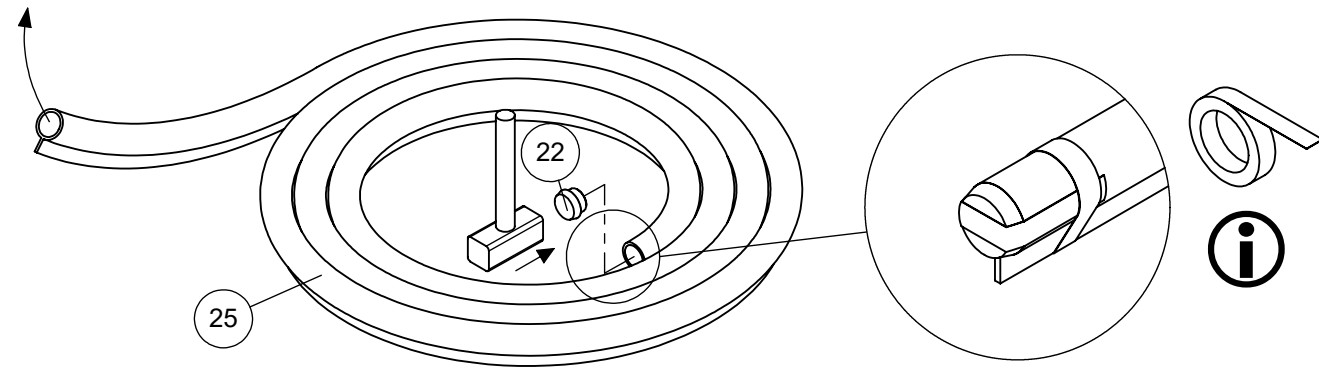
90 °C
[195 °F]



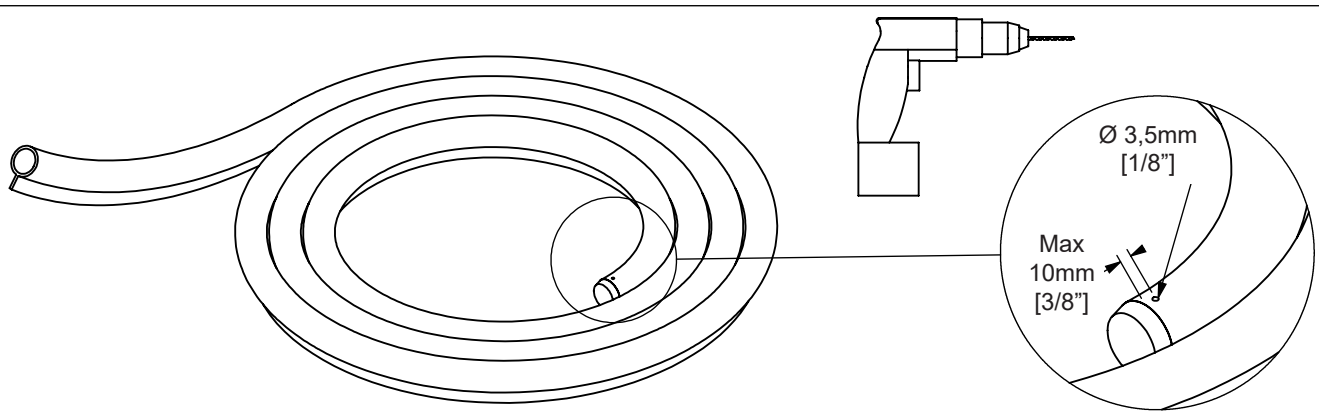
65 - 75 °C
[150 - 165 °F]



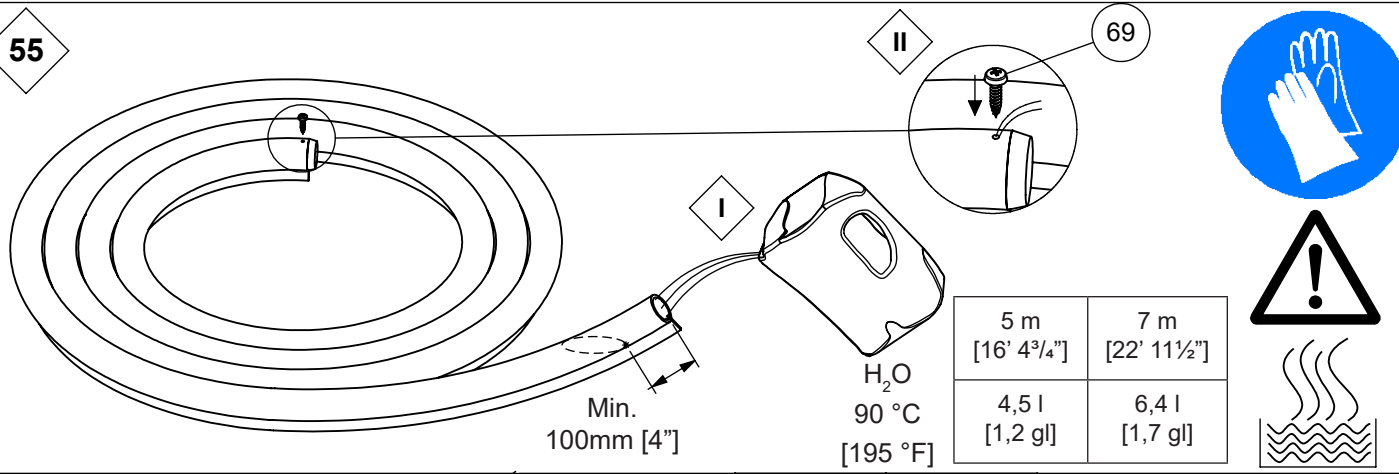
53



54

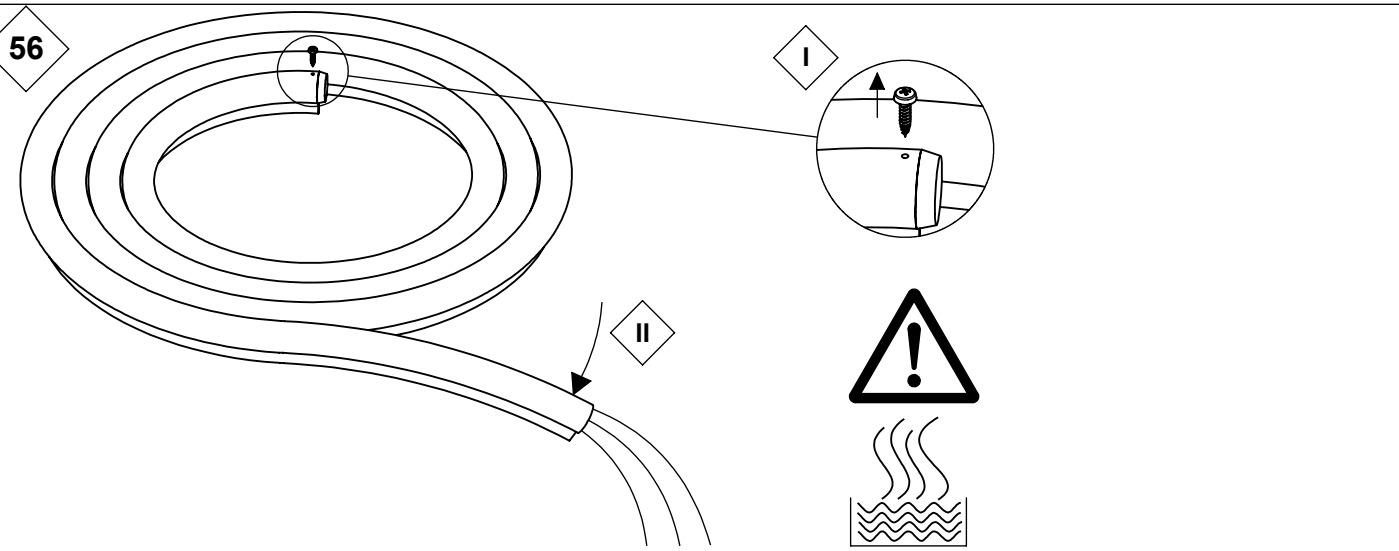


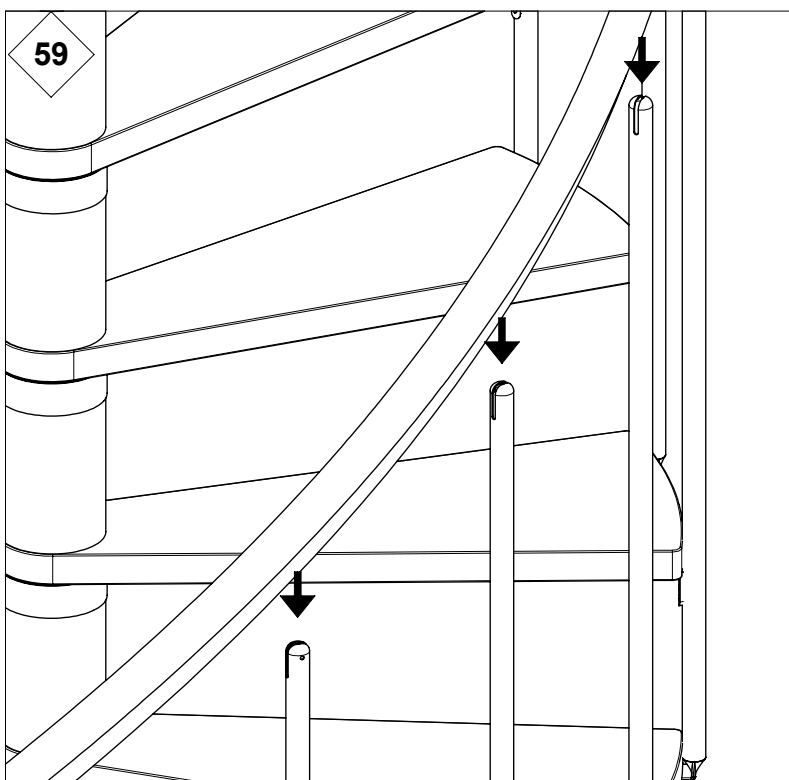
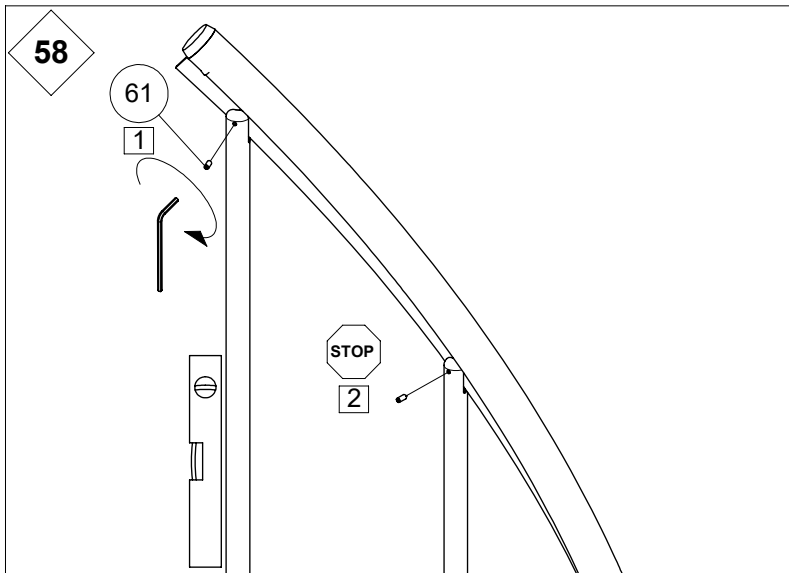
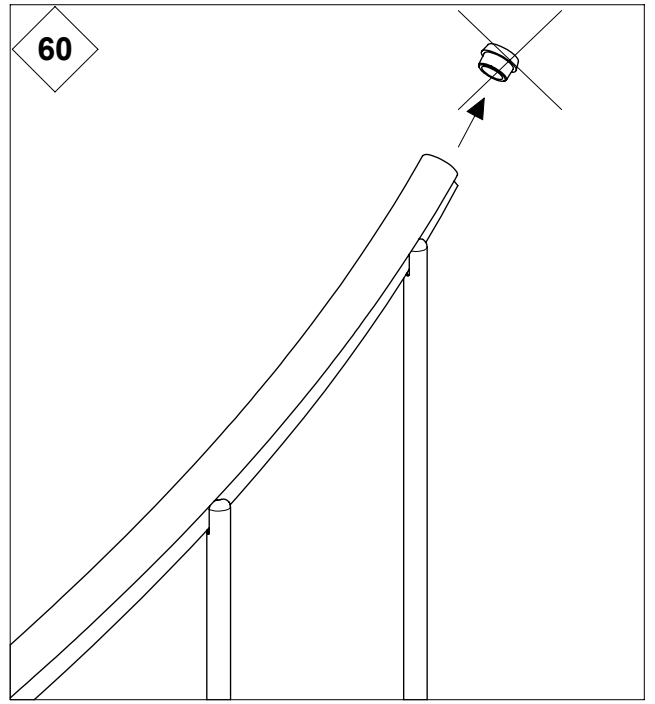
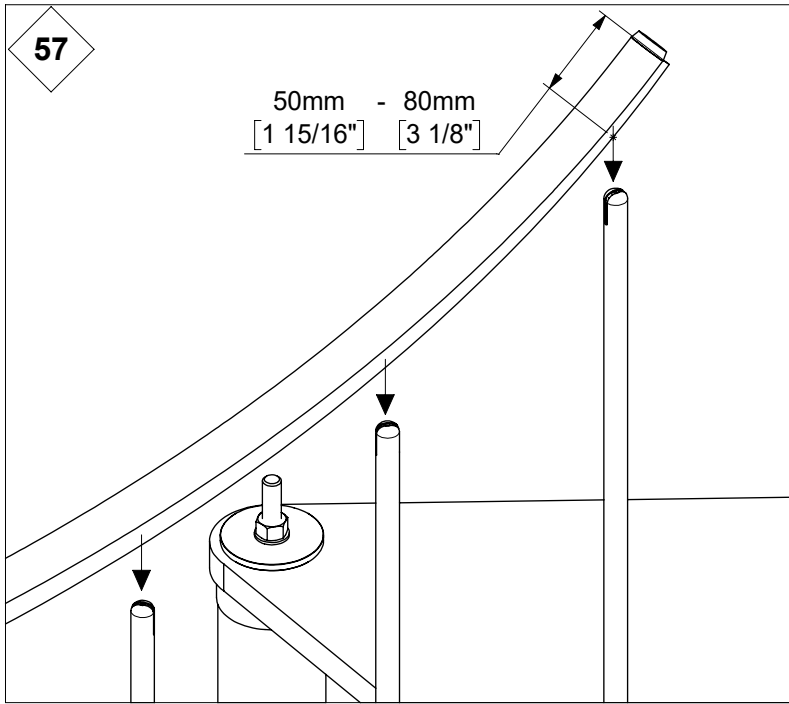
55



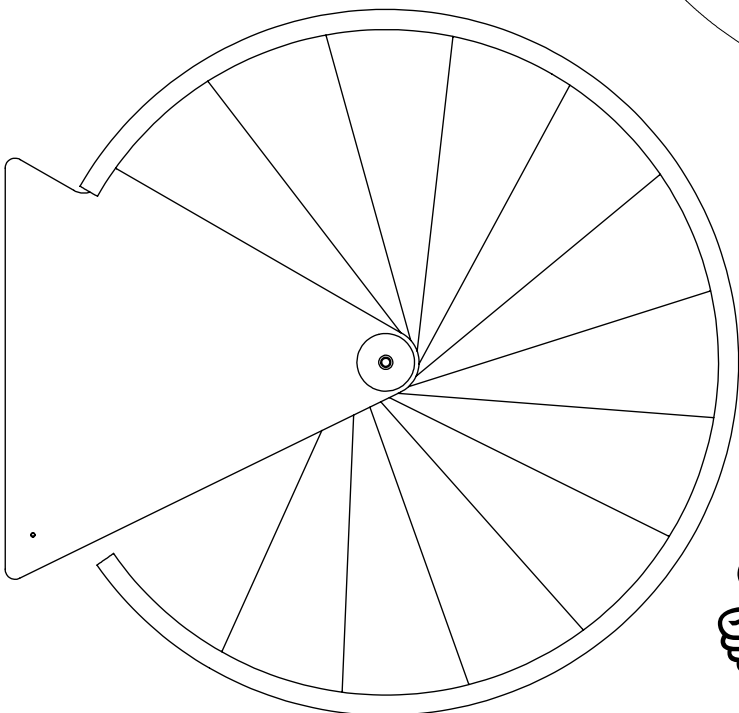
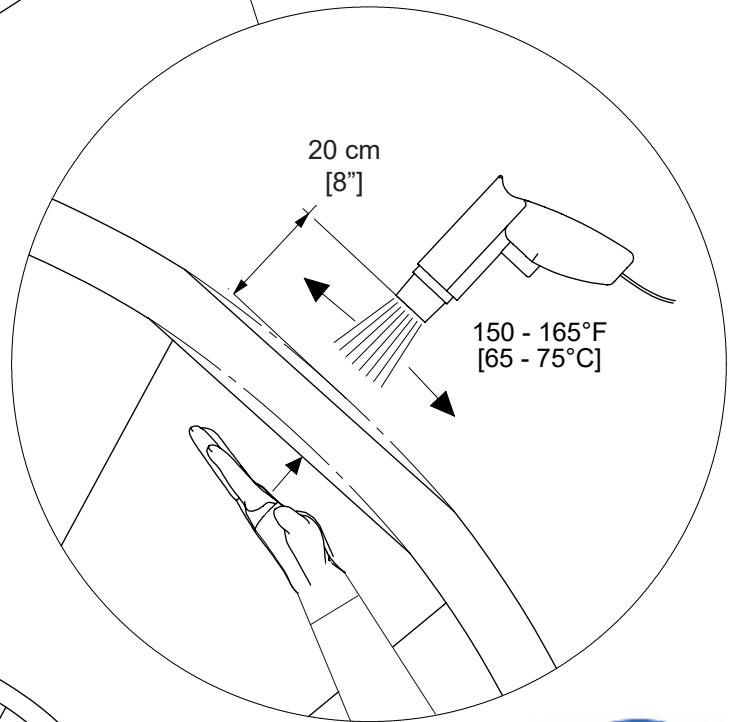
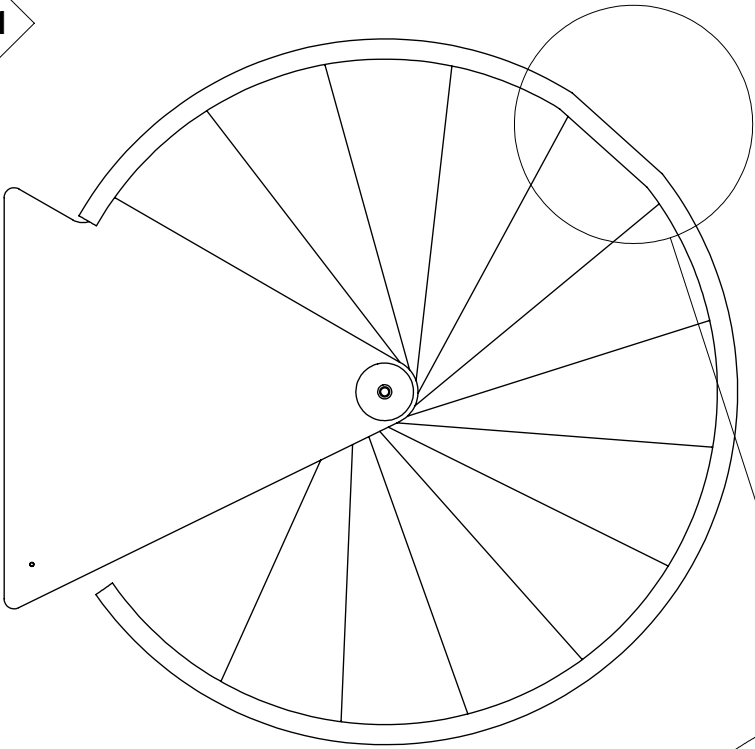
5 m [16' 4 ³ / ₄ "]	7 m [22' 11 ¹ / ₂ "]
4,5 l [1,2 g]	6,4 l [1,7 g]

56

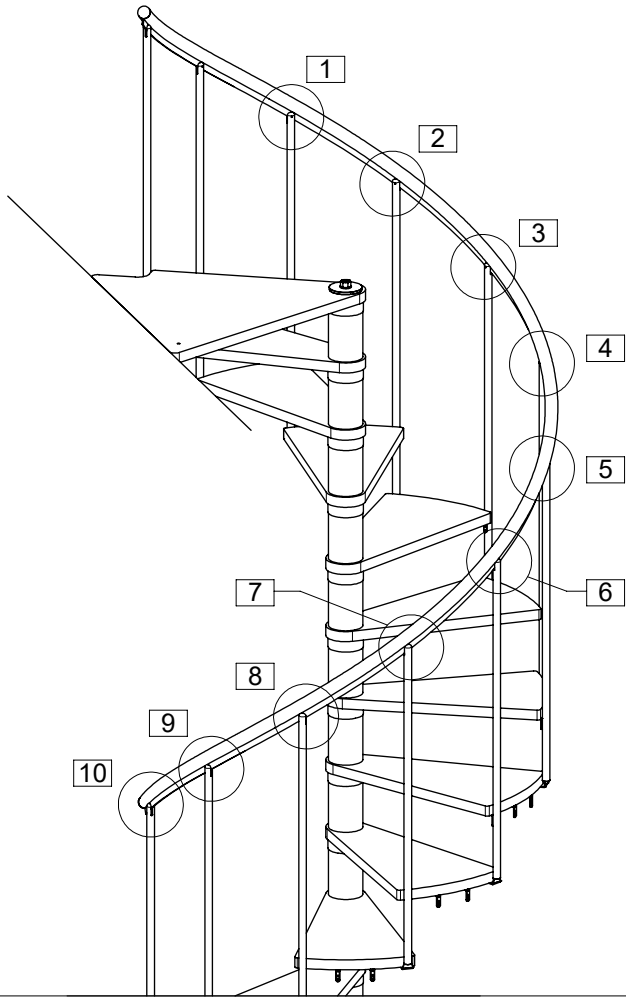




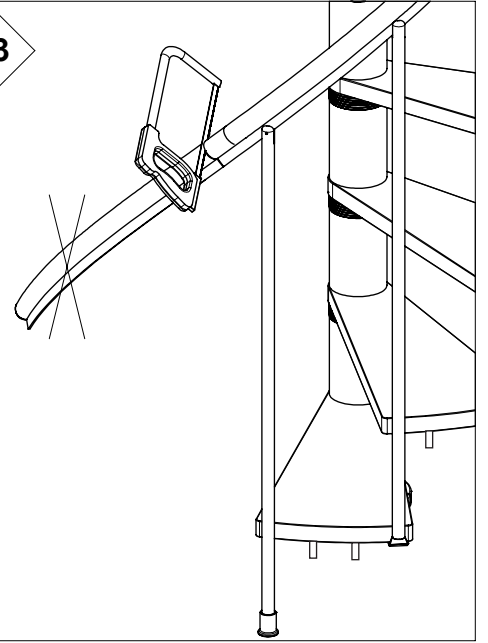
61



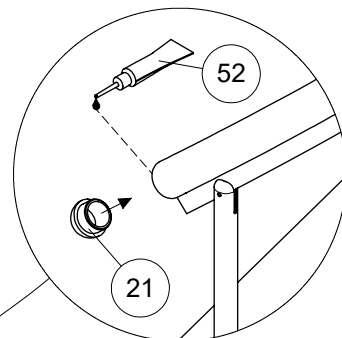
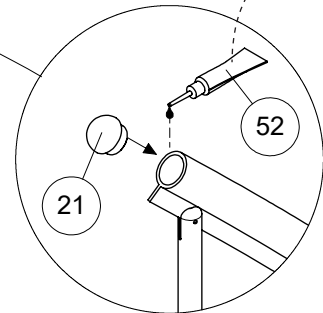
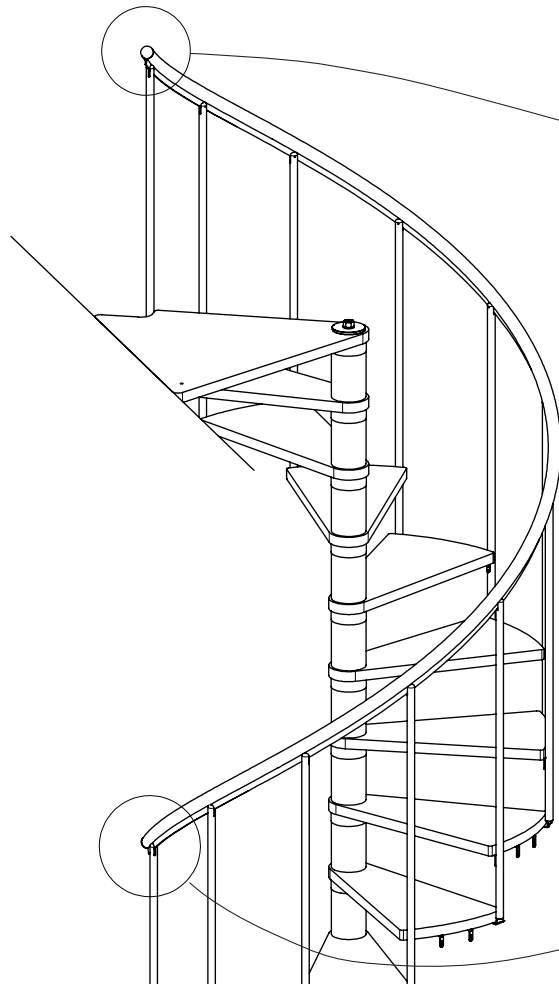
62

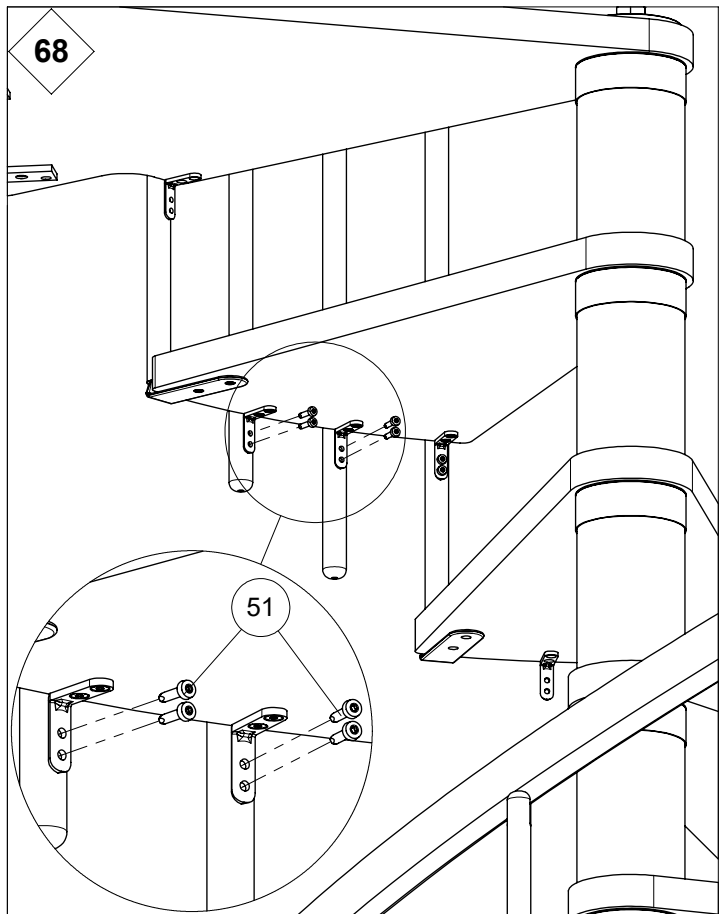
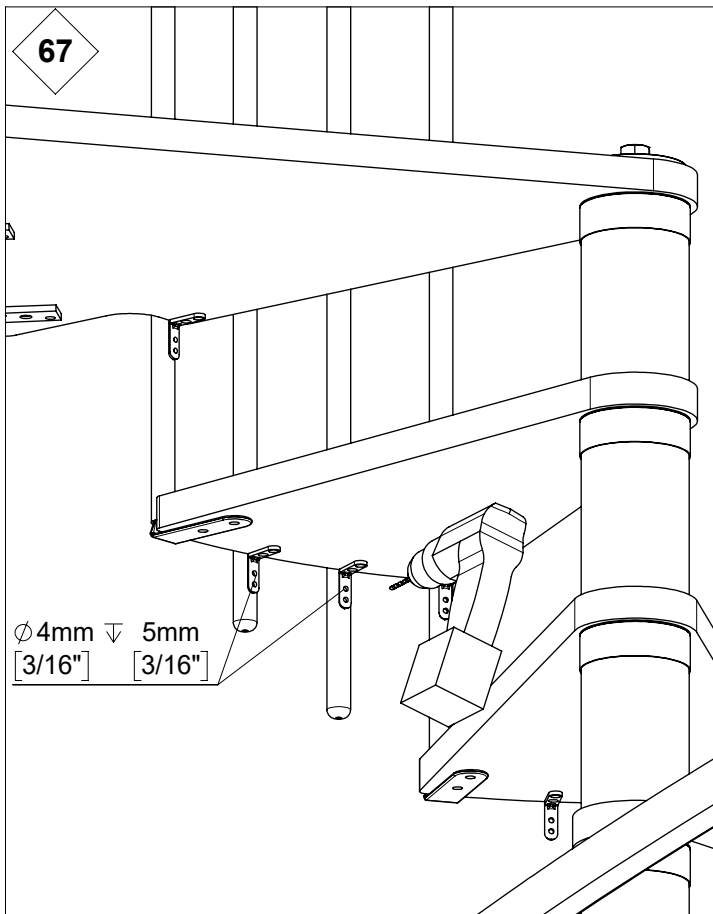
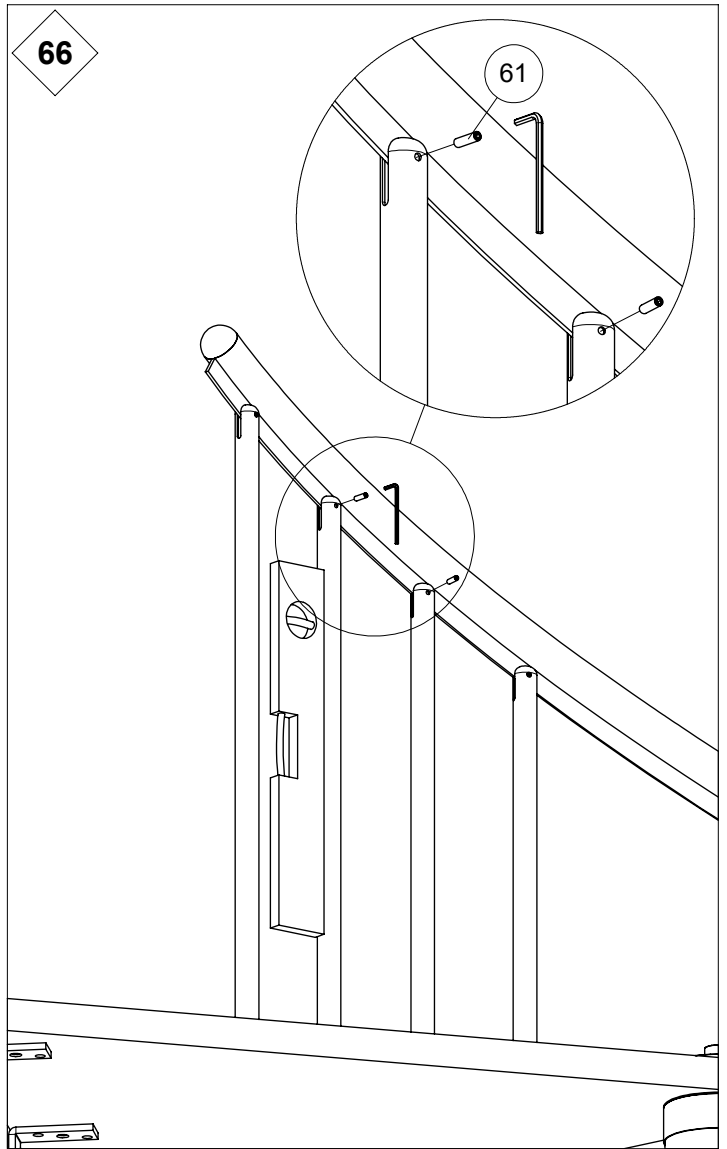
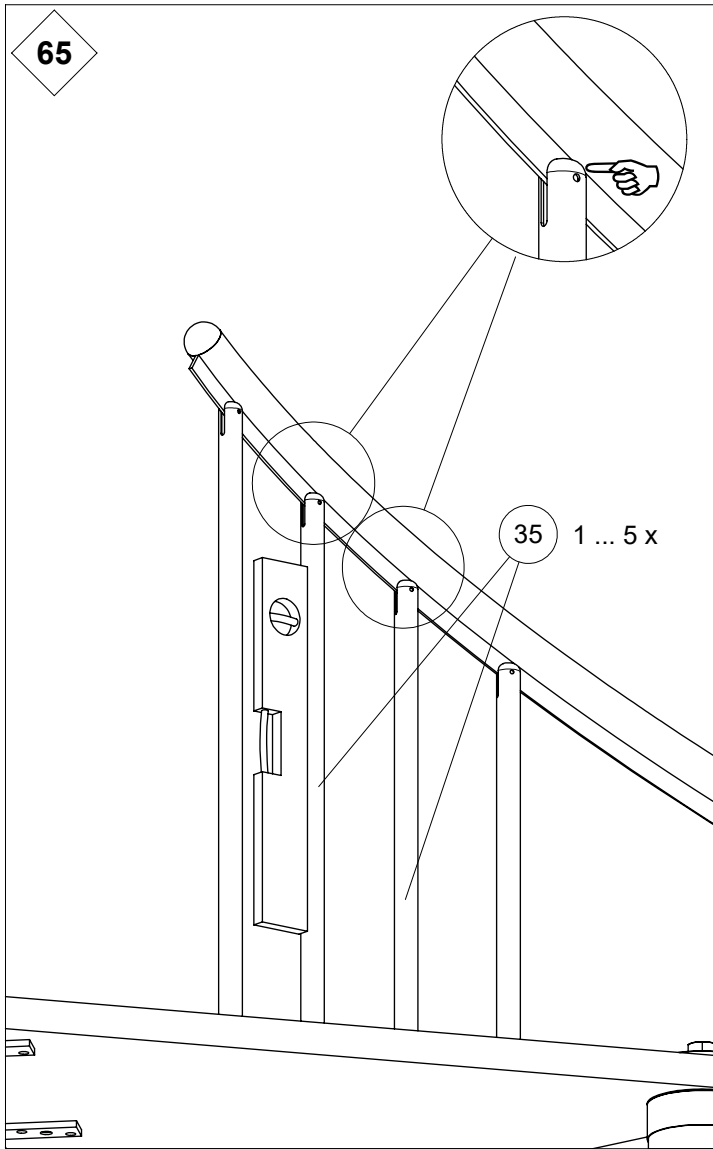


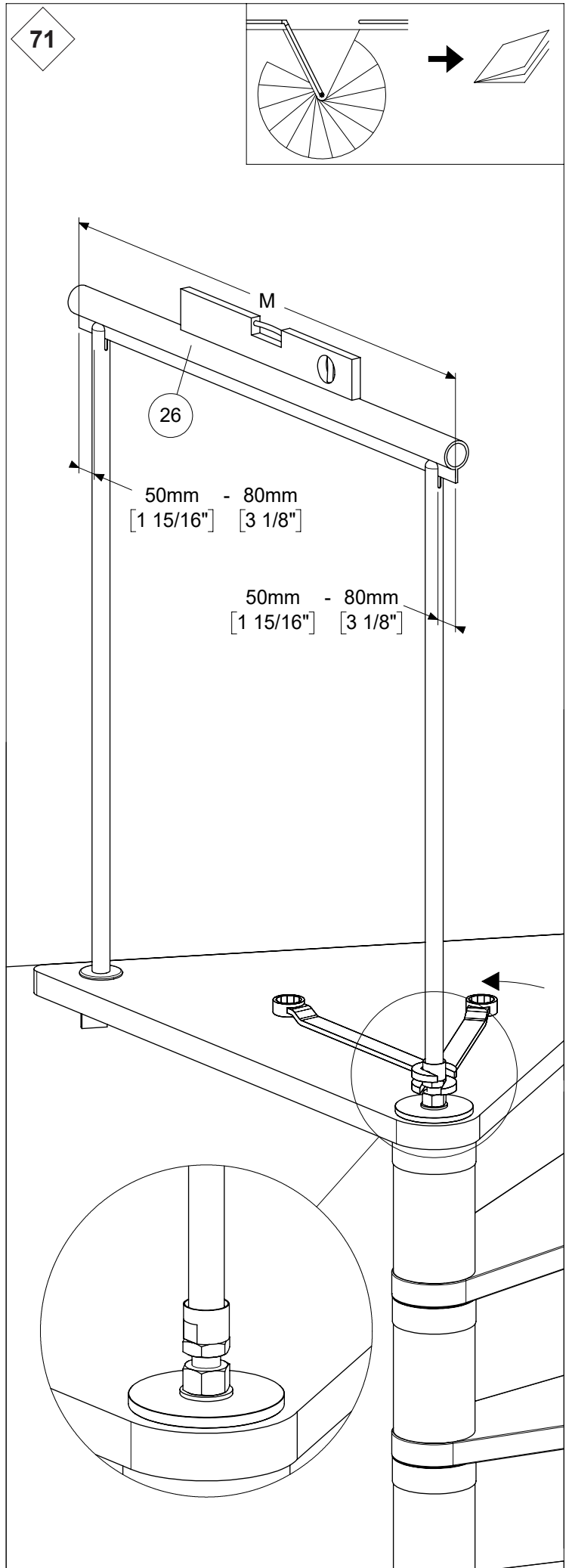
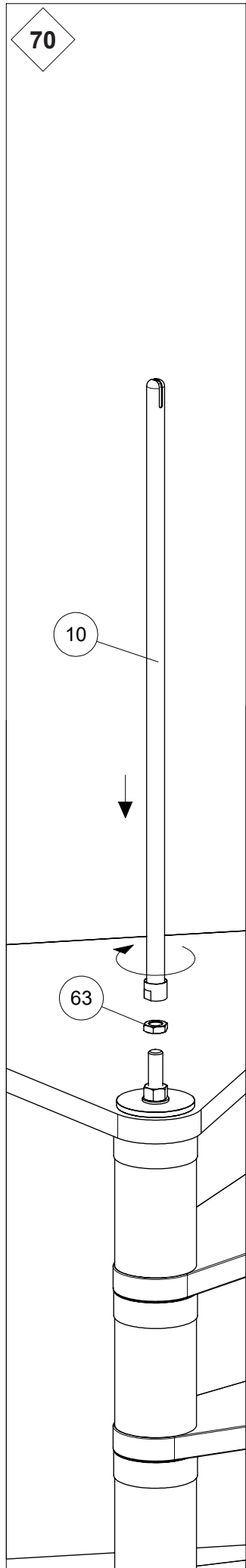
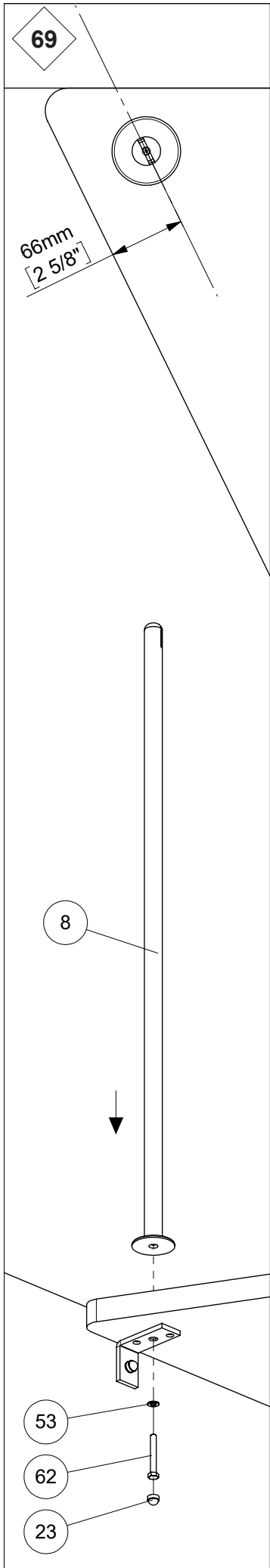
63



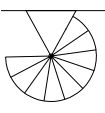
64

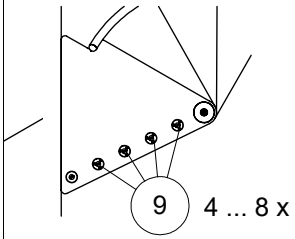




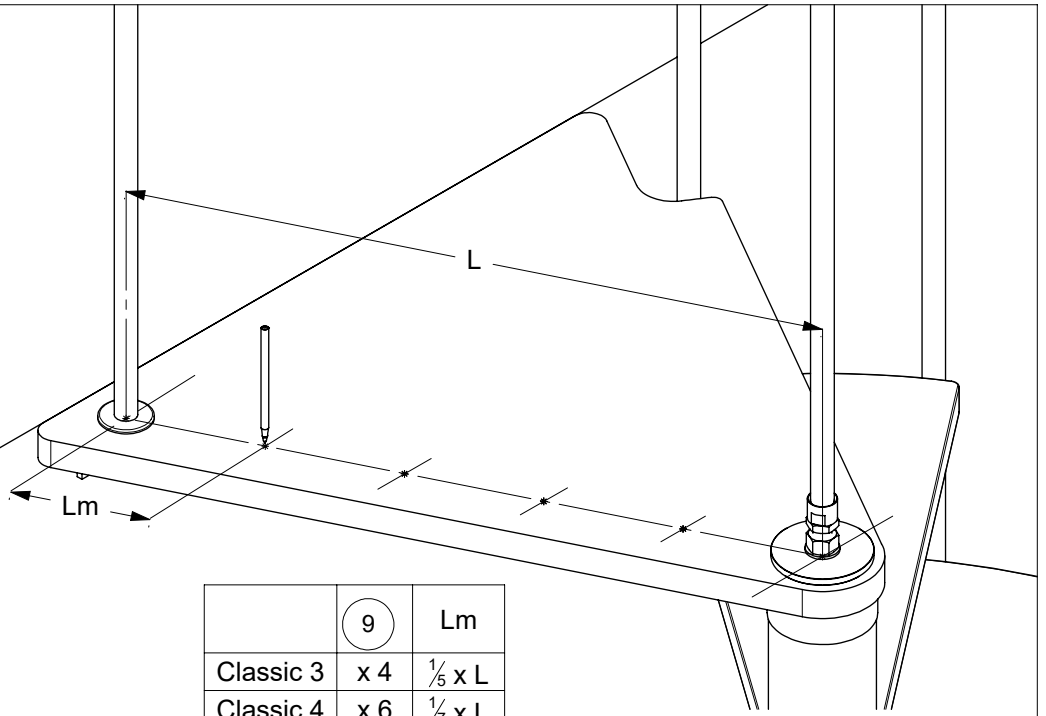


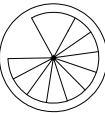
72

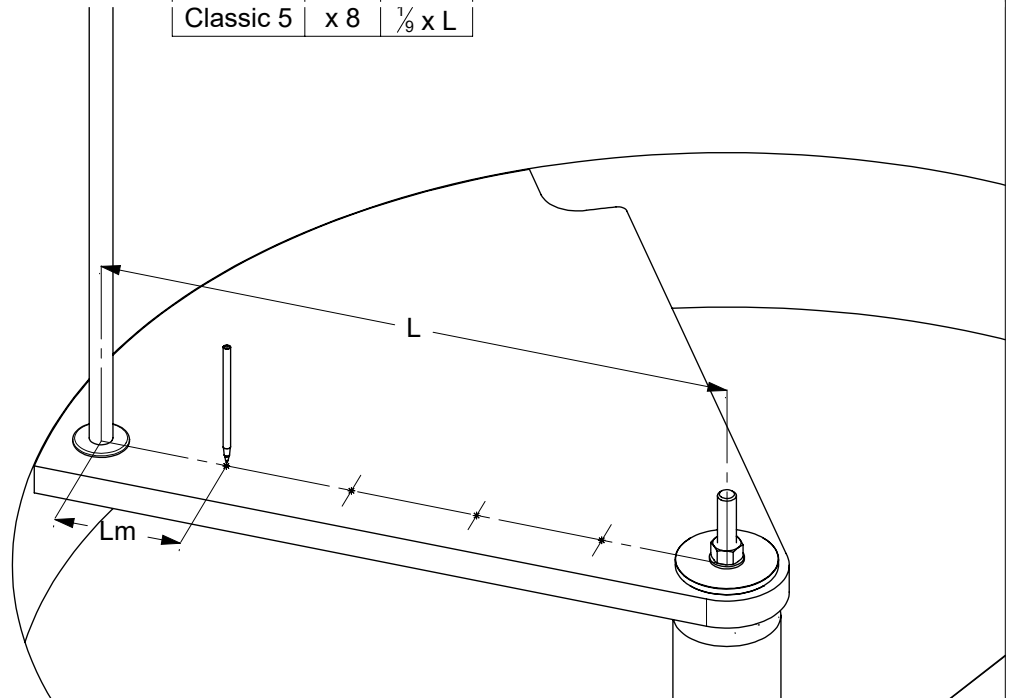
	L
∅ 120cm [47"]	660mm [26"]
∅ 140cm [55"]	780mm [30 11/16"]
∅ 160cm [63"]	900mm [35 7/16"]



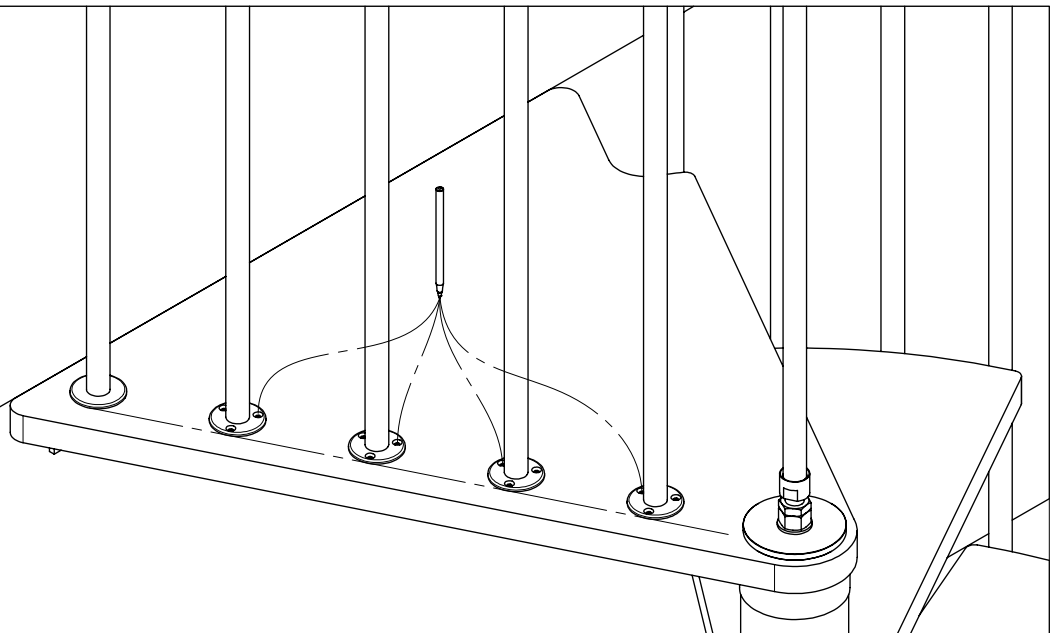
	9	Lm
Classic 3	x 4	$\frac{1}{5} \times L$
Classic 4	x 6	$\frac{1}{7} \times L$
Classic 5	x 8	$\frac{1}{9} \times L$

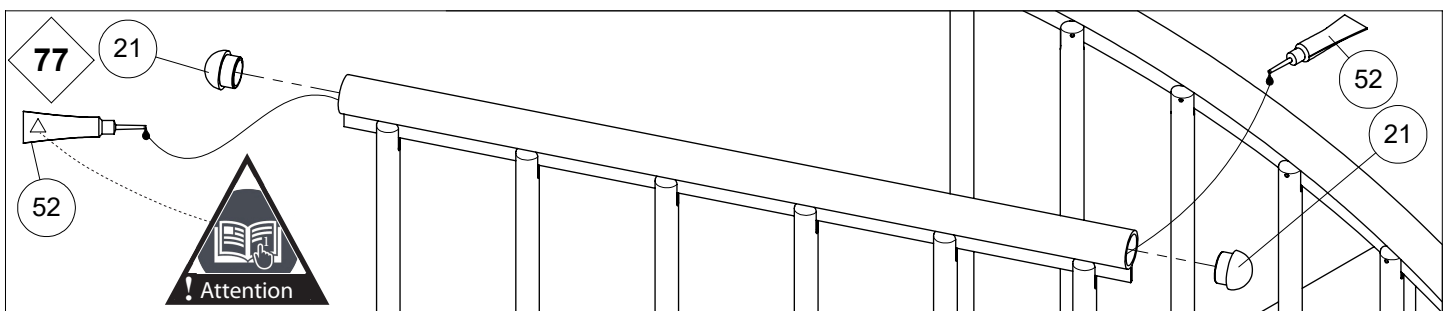
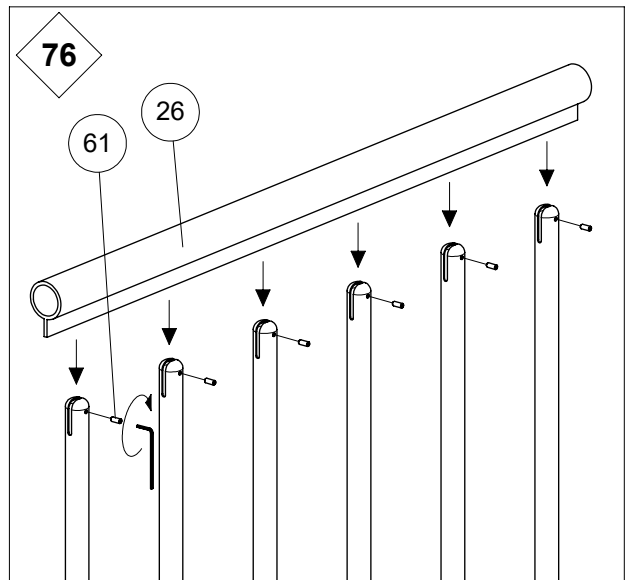
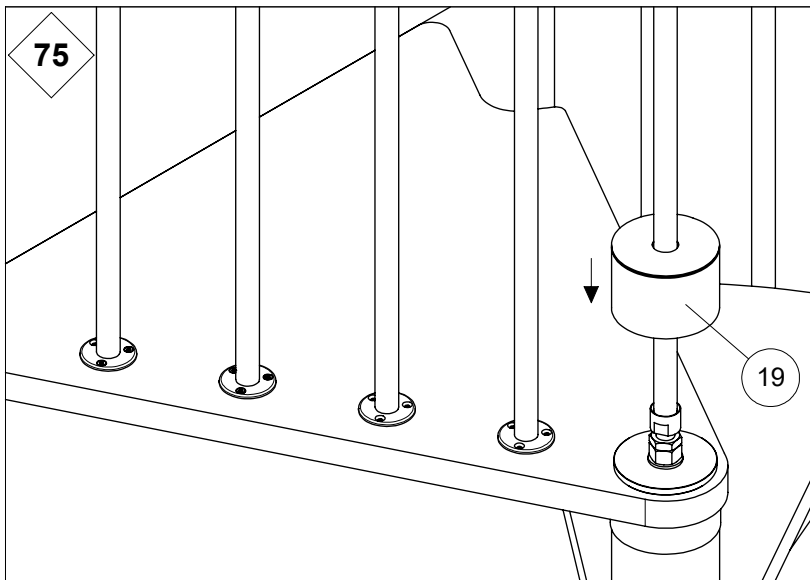
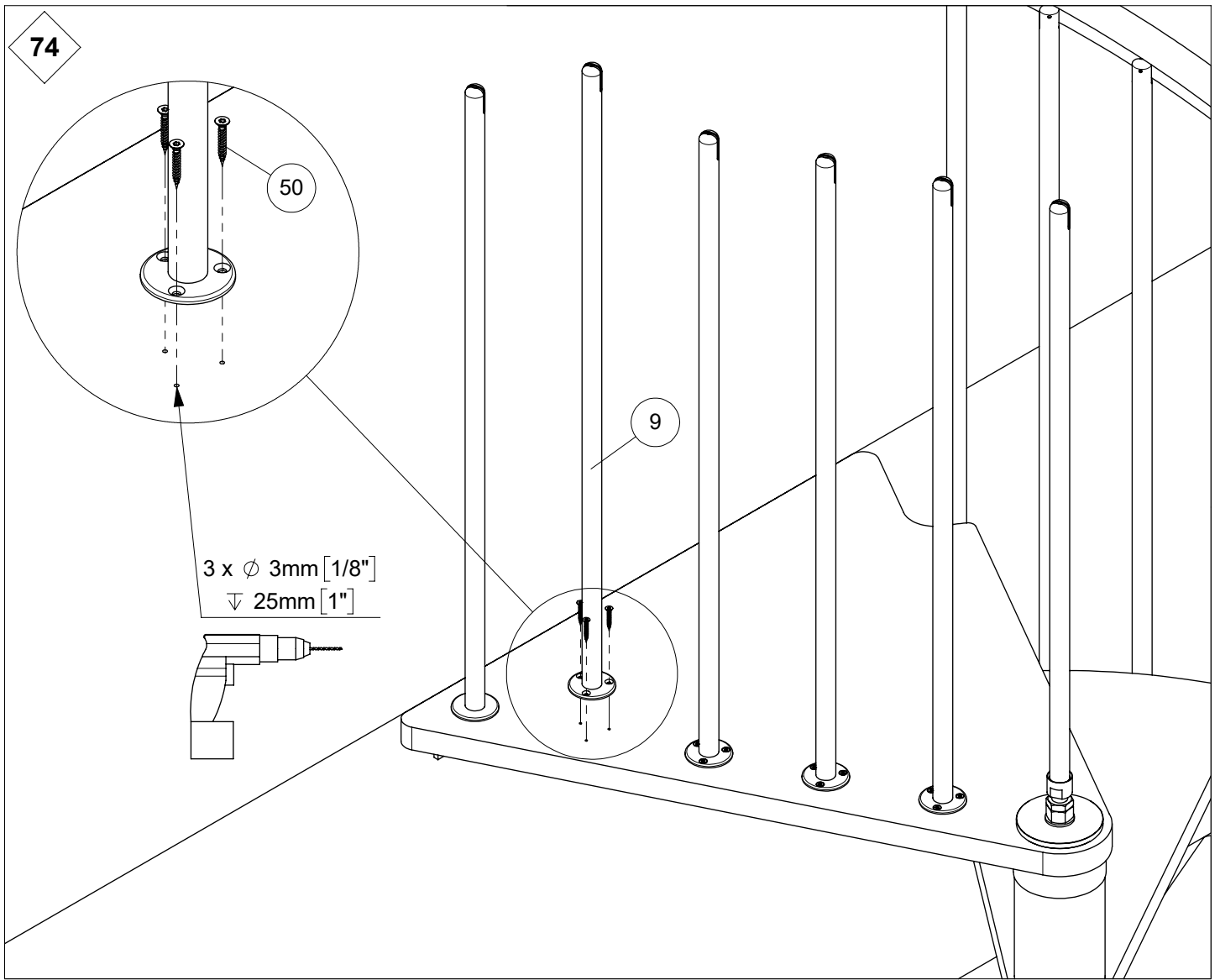


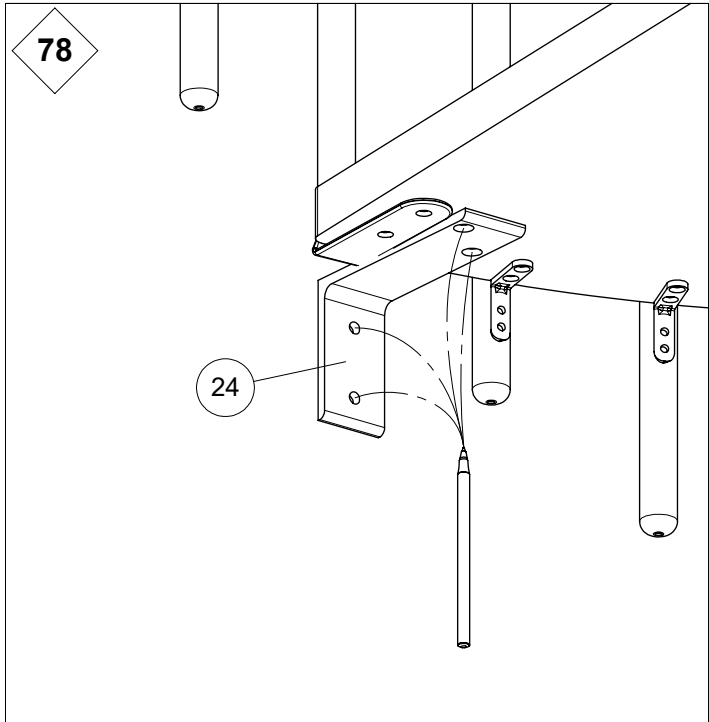
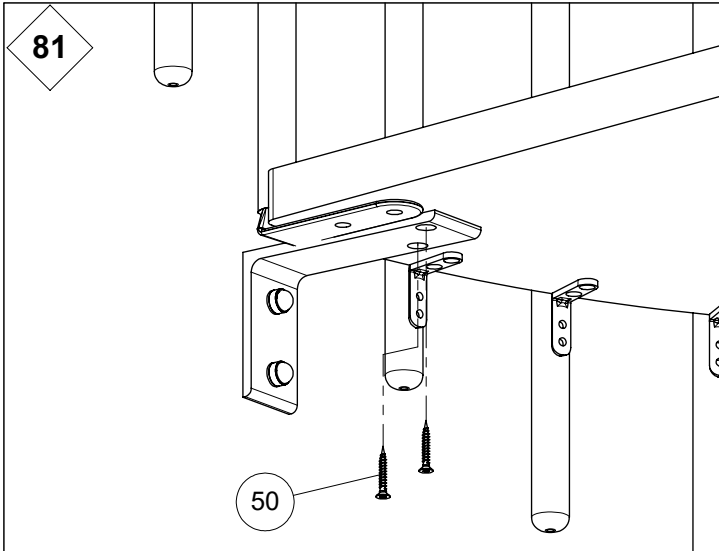
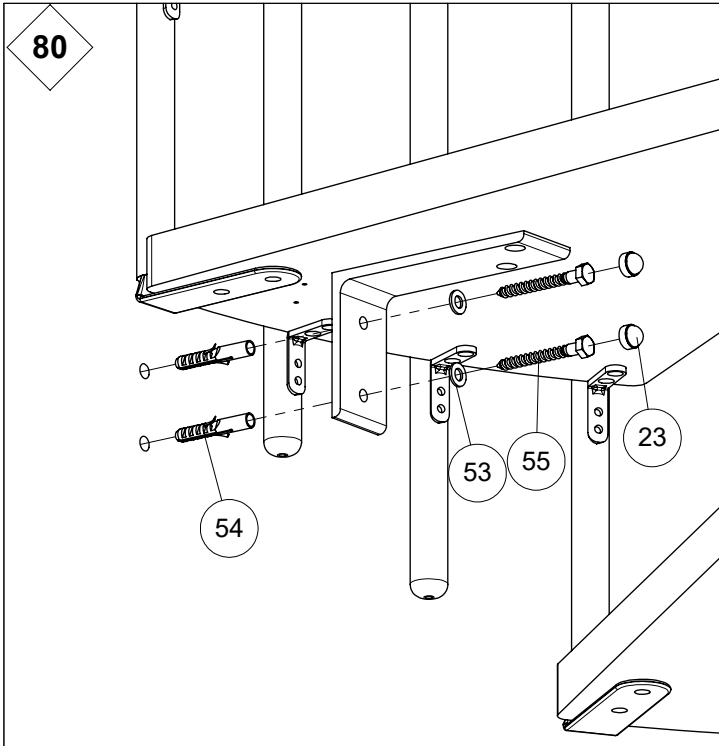
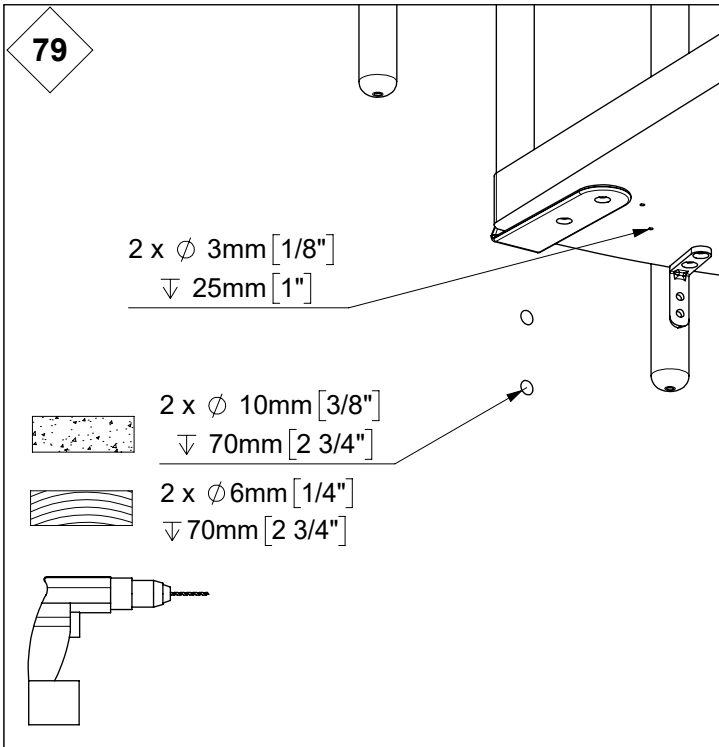
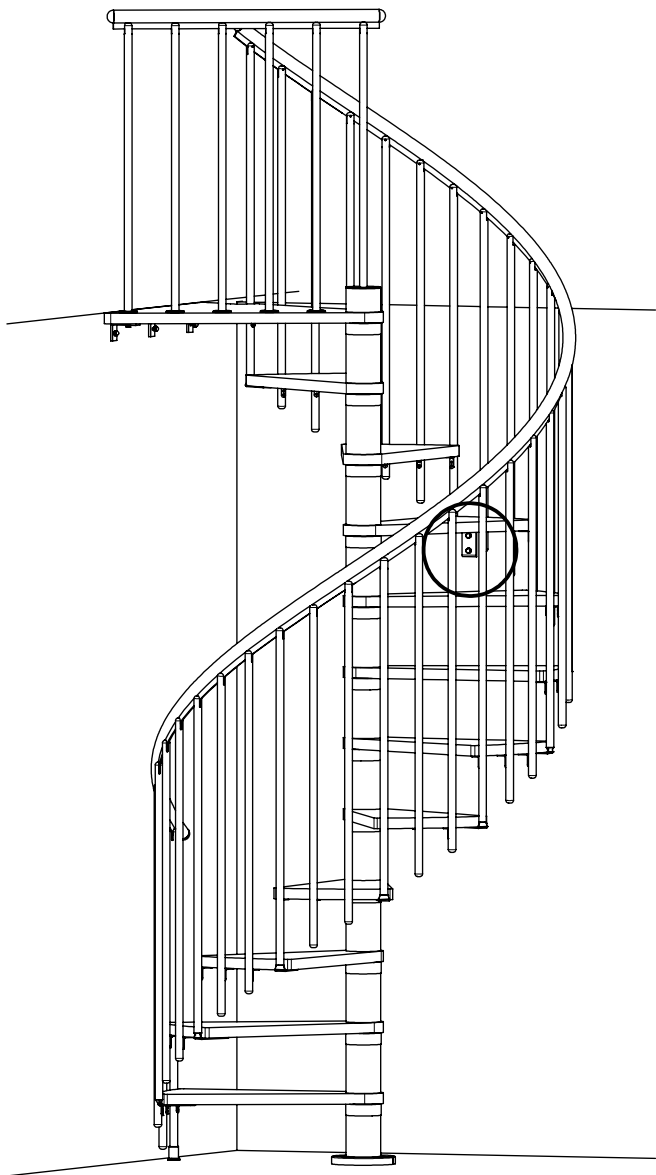
	L
∅ 120 cm [47"]	600mm [23 5/8"]
∅ 140 cm [55"]	700mm [27 9/16"]
∅ 160 cm [63"]	800mm [31 1/2"]



73







82

