

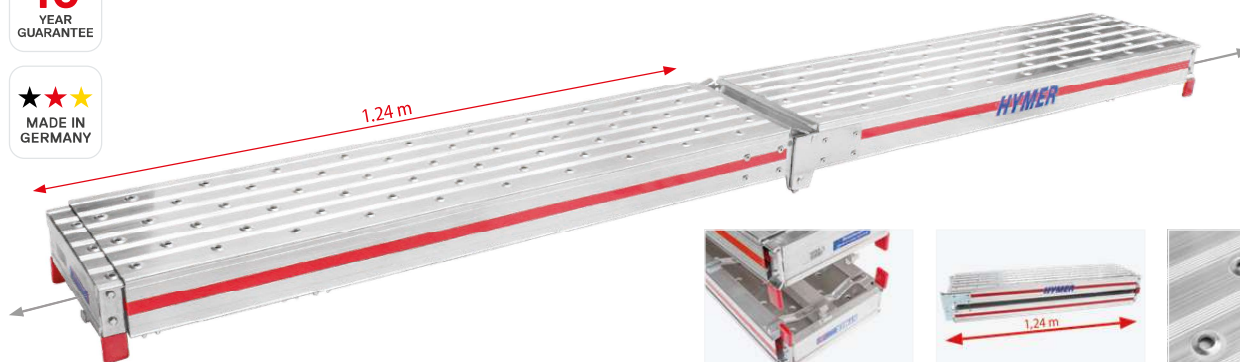


6859 'TELESTEG' aluminium plank

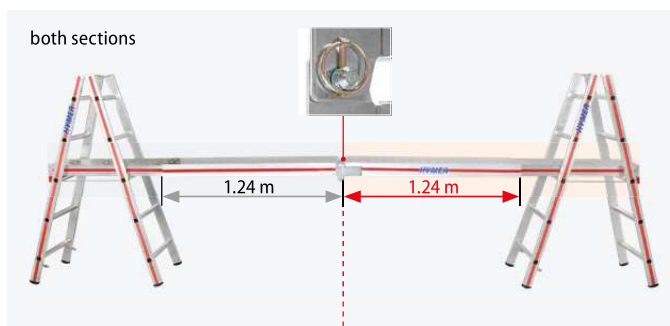
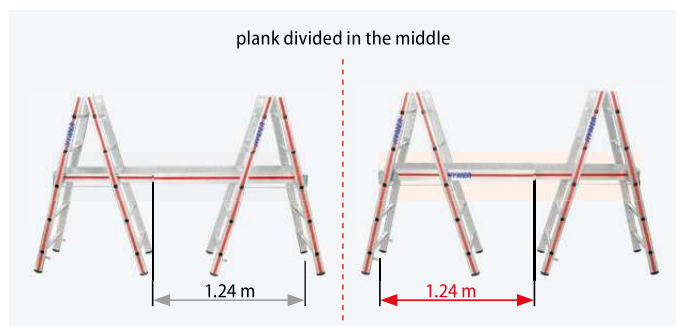
- › The safe working platform for all kinds of use.
- › Variably **extendable on both sides** up to an overall length of 4.00 m.
- › 2 out of 1: plank can be separated in the middle.
- › **Extremely sturdy design**, even for heavy duty applications.
- › Permissible load 150 kg (1.5 kN) at support width of 3.50 m.
- › Maximum permissible standing height 1.00 m.
- › **Hook locking ❶**: Fast and safer fastener of the two individual elements with locking lever.
- › **Safety device for telescopic rail ❷**: Rocker lever for safe, convenient fixing of the telescopic rail.
- › **Transport lock ❸**: Duplicate function of the safety device for telescopic rail, also acts 'as a transport lock for the stacked individual boards.

10
YEAR
GUARANTEE

★ ★ ★
MADE IN
GERMANY



Length extended (both sections) (approx. m)	4.00
Length extended (one section) (approx. m)	2.00
Length retracted (one section) (approx. m)	1.24
Pack size L×W×H (approx. m)	1.25×0.30×0.20
Weight (approx. kg)	22.0
Order no.	685900



Spare parts:

- › Spare parts set cotter pins, order no. 0053500, see on page 146.
- › Spring for hook locking, order no. 003412, see on page 146.
- › Spring for safety device for telescopic rail, order no. 003433, see on page 146.